

Location: Kenrick Avenue at 175th Street/Junelle Path
 Count Date: 10/18/2022
 Counted By: CountCloud



TURNING MOVEMENT COUNT DATA

All Vehicles

Start Time	175th St				Junelle Path				Kenrick Ave				Kenrick Ave				Int. Total
	Southbound				Westbound				Northbound				Eastbound				
	Left	Thru	Right	Peds	Left	Thru	Right	Peds	Left	Thru	Right	Peds	Left	Thru	Right	Peds	
6:00	5	23	8	0	4	0	2	0	1	1	0	0	6	0	2	0	52
6:15	6	35	18	0	1	1	1	0	0	2	0	0	3	0	6	0	73
6:30	10	38	16	0	7	1	1	0	2	6	0	0	7	2	4	0	94
6:45	5	44	31	0	10	1	2	0	7	8	0	0	7	0	12	0	127
7:00	9	53	33	0	13	4	2	0	6	19	0	0	14	3	26	0	182
7:15	8	72	41	0	6	3	5	0	8	14	0	0	13	6	11	0	187
7:30	8	80	30	0	11	8	6	0	15	16	0	0	17	6	21	0	218
7:45	6	58	44	0	4	3	6	0	9	24	0	0	15	6	25	0	200
8:00	12	83	83	0	13	6	8	0	6	21	0	0	24	10	14	0	280
8:15	19	90	64	0	14	5	7	0	6	22	0	0	24	8	17	0	276
8:30	13	43	46	0	11	9	7	0	9	34	0	0	30	11	11	0	224
8:45	8	38	37	0	12	7	4	0	13	25	0	0	25	6	11	0	186
9:00	9	31	28	0	11	4	6	0	7	13	0	0	27	8	19	0	163
9:15	12	45	35	0	19	10	13	0	10	13	0	0	22	9	14	0	202
9:30	14	24	33	0	18	9	15	0	14	12	1	0	20	9	18	0	187
9:45	10	22	25	0	17	6	12	0	14	14	0	0	19	7	15	0	161
10:00	13	27	25	0	20	9	6	0	14	10	2	0	11	4	23	2	164
10:15	8	22	28	0	16	8	13	0	4	15	2	0	14	7	18	0	155
10:30	11	22	24	0	11	9	13	0	11	6	2	0	17	9	21	0	156
10:45	10	24	19	0	22	9	10	0	16	15	2	0	12	11	27	0	177
11:00	12	20	17	0	19	8	12	0	11	19	0	0	9	13	21	0	161
11:15	15	19	30	0	23	14	15	0	17	13	1	0	26	5	21	0	199
11:30	6	38	24	0	29	9	14	0	11	18	3	1	20	19	36	0	227
11:45	15	26	20	0	17	13	19	0	10	26	0	0	19	11	34	0	210
12:00	9	21	32	0	19	13	14	0	12	13	2	0	27	20	42	0	224
12:15	14	25	19	0	25	24	12	0	10	24	0	0	16	22	27	0	218
12:30	12	24	32	0	26	13	19	0	12	22	3	0	19	22	26	0	230
12:45	18	35	35	0	22	14	11	0	23	22	1	0	28	15	23	0	247
13:00	11	21	19	0	20	18	18	0	15	27	1	0	27	15	22	0	214
13:15	15	24	15	0	23	24	8	0	15	27	2	0	26	12	26	0	217
13:30	9	17	18	0	20	15	24	0	15	19	1	0	27	14	31	0	210
13:45	14	19	31	0	10	18	21	1	20	19	0	0	31	13	34	0	230
14:00	12	23	23	0	21	13	9	0	17	25	1	0	27	12	24	0	207
14:15	8	23	22	0	18	12	17	0	16	21	1	0	29	21	29	0	217
14:30	14	24	26	0	20	20	18	0	7	30	4	0	24	23	26	0	236
14:45	15	27	21	0	27	13	32	0	25	36	1	0	35	10	43	0	285
15:00	12	28	23	0	24	15	15	0	26	38	2	0	44	11	35	0	273
15:15	13	50	30	0	14	9	19	0	13	26	1	0	33	16	38	0	262
15:30	15	27	46	0	19	15	25	0	15	38	2	0	40	21	25	0	288
15:45	16	37	33	0	21	12	18	0	22	40	0	0	35	17	31	0	282
16:00	16	39	41	0	19	13	21	0	20	54	2	0	51	9	32	0	317
16:15	13	41	37	0	20	13	19	0	15	45	0	0	59	24	48	0	334
16:30	15	46	39	0	17	13	30	0	25	44	1	0	42	18	31	0	321
16:45	14	37	37	0	17	17	17	0	13	35	2	0	60	22	47	0	318
17:00	20	44	34	0	19	24	29	0	27	53	5	1	41	17	42	0	355
17:15	14	32	38	0	11	12	24	0	12	60	3	0	76	18	43	2	343
17:30	22	49	36	0	16	19	29	0	15	34	3	1	45	15	41	0	324
17:45	19	36	36	0	22	23	16	0	15	37	1	0	44	14	32	0	295
18:00	17	29	28	0	21	14	26	0	12	33	1	0	48	12	35	1	276
18:15	14	29	24	0	8	13	23	0	18	38	3	0	29	13	38	0	250
18:30	16	28	24	0	17	12	19	0	12	26	1	0	24	28	35	0	242
18:45	13	44	15	0	17	14	20	0	15	25	1	0	34	13	30	0	241
Total	644	1856	1573	0	861	591	752	1	683	1277	58	3	1422	637	1363	5	11717
Cars+	634	1816	1543	0	846	581	743	1	673	1243	57	2	1395	628	1345	5	11504
Trucks	10	40	30	0	15	10	9	0	10	34	1	1	27	9	18	0	213
% Trucks	1.6	2.2	1.9	0.0	1.7	1.7	1.2	0.0	1.5	2.7	1.7	33.3	1.9	1.4	1.3	0.0	
	2.0				1.5				2.2				1.6				1.8

Location: Kenrick Avenue at 175th Street/Junelle Path
 Count Date: 10/18/2022
 Counted By: CountCloud



TURNING MOVEMENT COUNT DATA

Trucks

Start Time	175th St				Junelle Path				Kenrick Ave				Kenrick Ave				Int. Total
	Southbound				Westbound				Northbound				Eastbound				
	Left	Thru	Right	Bikes	Left	Thru	Right	Bikes	Left	Thru	Right	Bikes	Left	Thru	Right	Bikes	
6:00	0	0	0	0	1	0	1	0	0	0	0	0	1	0	0	0	3
6:15	1	0	0	0	0	0	0	0	0	0	0	0	0	0	0	0	1
6:30	0	0	0	0	0	0	0	0	0	1	0	0	0	0	0	0	1
6:45	0	0	0	0	0	0	0	0	0	1	0	0	0	0	2	0	3
7:00	0	1	0	0	0	0	0	0	0	3	0	0	0	0	3	0	7
7:15	0	1	1	0	0	0	0	0	0	2	0	0	1	0	0	0	5
7:30	0	2	0	0	0	0	0	0	0	0	0	0	1	0	0	0	3
7:45	0	2	1	0	0	0	0	0	0	2	0	0	1	0	0	0	6
8:00	1	2	1	0	0	0	0	0	0	1	0	0	0	2	0	0	7
8:15	1	6	3	0	1	1	1	0	1	2	0	0	3	0	0	0	19
8:30	1	1	2	0	0	1	1	0	0	3	0	0	3	0	0	0	12
8:45	0	2	0	0	0	0	0	0	0	1	0	0	0	0	1	0	4
9:00	1	0	1	0	0	0	0	0	1	2	0	0	2	0	1	0	8
9:15	1	1	0	0	0	2	1	0	0	0	0	0	0	0	0	0	5
9:30	1	0	1	0	1	1	0	0	1	0	0	0	1	0	0	0	6
9:45	0	0	0	0	1	0	1	0	0	1	0	0	1	0	0	0	4
10:00	1	5	0	0	1	0	0	0	0	0	0	0	0	0	0	0	7
10:15	0	0	0	0	1	0	0	0	0	1	1	0	0	0	0	0	3
10:30	0	0	0	0	0	0	1	0	0	1	0	0	0	1	1	0	4
10:45	0	0	1	0	2	0	0	0	0	0	0	0	0	0	1	0	4
11:00	0	0	1	0	1	0	0	0	1	0	0	0	0	0	0	0	3
11:15	1	1	1	0	0	1	0	0	0	0	0	0	0	1	0	0	5
11:30	0	3	1	0	3	0	1	0	0	0	0	1	0	0	1	0	9
11:45	0	0	0	0	0	0	1	0	0	0	0	0	1	0	1	0	3
12:00	0	0	1	0	0	0	0	0	0	0	0	0	1	0	0	0	2
12:15	0	0	1	0	0	0	0	0	0	0	0	0	0	0	0	0	1
12:30	0	0	0	0	0	1	0	0	0	0	0	0	0	0	0	0	1
12:45	0	0	1	0	0	0	0	0	0	0	0	0	0	1	0	0	2
13:00	0	0	0	0	1	0	0	0	2	1	0	0	1	0	0	0	5
13:15	0	2	0	0	1	1	1	0	0	0	0	0	0	1	2	0	8
13:30	0	0	1	0	0	0	0	0	1	0	0	0	2	0	1	0	5
13:45	0	0	0	0	0	0	0	0	0	0	0	0	1	0	1	0	2
14:00	0	3	1	0	0	0	0	0	0	0	0	0	0	0	0	0	4
14:15	0	0	1	0	0	1	0	0	0	3	0	0	0	0	1	0	6
14:30	0	0	0	0	0	1	0	0	1	2	0	0	0	1	0	0	5
14:45	0	0	2	0	0	0	0	0	0	1	0	0	0	0	1	0	4
15:00	1	2	1	0	0	0	0	0	0	1	0	0	1	0	0	0	6
15:15	0	4	1	0	0	0	0	0	0	0	0	0	2	0	0	0	7
15:30	0	1	3	0	0	0	0	0	0	3	0	0	3	0	0	0	10
15:45	0	1	2	0	0	0	0	0	0	0	0	0	0	0	0	0	3
16:00	0	0	1	0	0	0	0	0	1	1	0	0	0	0	0	0	3
16:15	0	0	0	0	0	0	0	0	0	0	0	0	0	1	0	0	1
16:30	0	0	0	0	1	0	0	0	0	0	0	0	0	0	0	0	1
16:45	0	0	0	0	0	0	0	0	0	0	0	0	0	0	0	0	0
17:00	0	0	0	0	0	0	0	0	0	0	0	0	1	0	1	0	2
17:15	0	0	0	0	0	0	0	0	0	0	0	0	0	0	0	0	0
17:30	0	0	0	0	0	0	0	0	0	0	0	0	0	0	0	0	0
17:45	0	0	0	0	0	0	0	0	1	1	0	0	0	0	0	0	2
18:00	0	0	0	0	0	0	0	0	0	0	0	0	0	0	0	0	0
18:15	0	0	0	0	0	0	0	0	0	0	0	0	0	0	0	0	0
18:30	0	0	0	0	0	0	0	0	0	0	0	0	0	0	0	0	0
18:45	0	0	0	0	0	0	0	0	0	0	0	0	0	1	0	0	1
Total	10	40	30	0	15	10	9	0	10	34	1	1	27	9	18	0	213

Location: Kenrick Avenue at 175th Street/Junelle Path
 Count Date: 10/18/2022
 Counted By: CountCloud

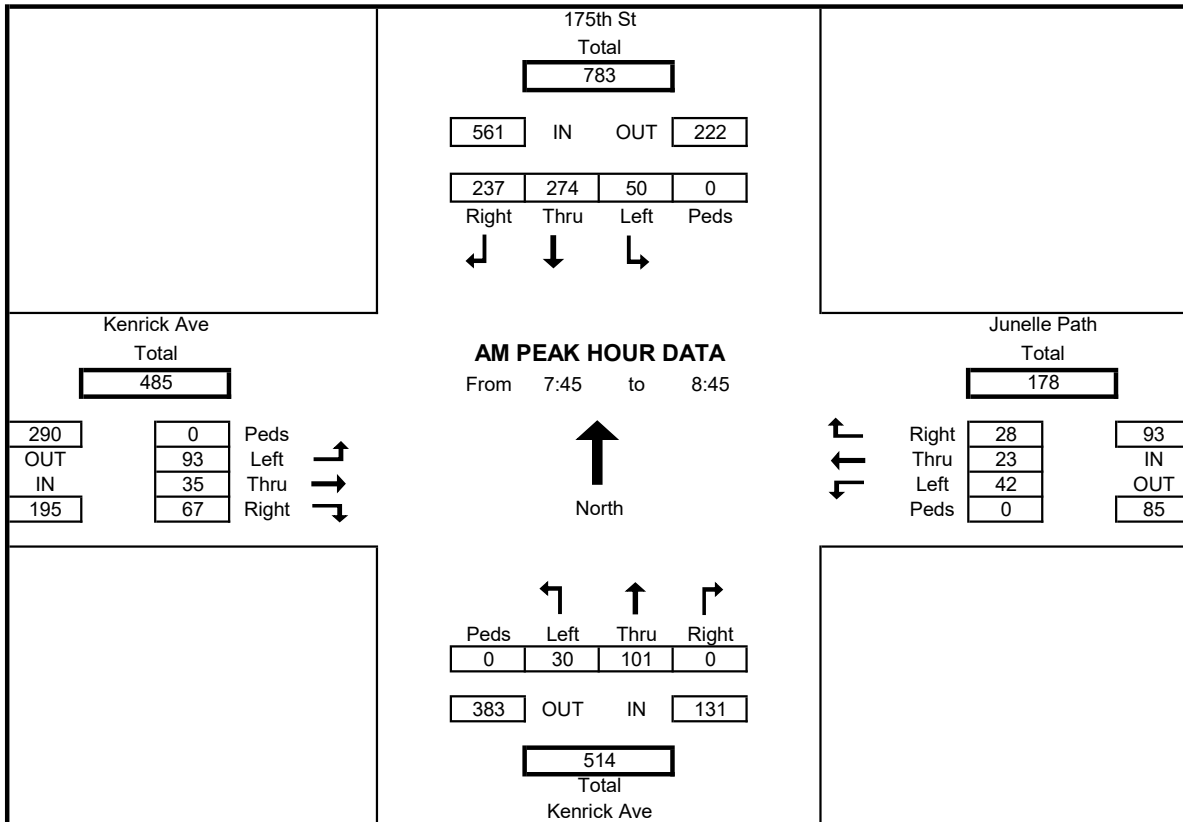


AM PEAK HOUR TURNING MOVEMENT DATA

All Vehicles

Start Time	175th St				Junelle Path				Kenrick Ave				Kenrick Ave				Int. Total
	Southbound				Westbound				Northbound				Eastbound				
	Left	Thru	Right	Peds	Left	Thru	Right	Peds	Left	Thru	Right	Peds	Left	Thru	Right	Peds	
7:45	6	58	44	0	4	3	6	0	9	24	0	0	15	6	25	0	200
8:00	12	83	83	0	13	6	8	0	6	21	0	0	24	10	14	0	280
8:15	19	90	64	0	14	5	7	0	6	22	0	0	24	8	17	0	276
8:30	13	43	46	0	11	9	7	0	9	34	0	0	30	11	11	0	224
Total	50	274	237	0	42	23	28	0	30	101	0	0	93	35	67	0	980
% App. Total	8.9	48.8	42.2		45.2	24.7	30.1		22.9	77.1	0.0		47.7	17.9	34.4		
PHF	0.658	0.761	0.714	0.000	0.750	0.639	0.875	0.000	0.833	0.743	0.000	0.000	0.775	0.795	0.670	0.000	0.875

% Trucks	175th St				Junelle Path				Kenrick Ave				Kenrick Ave				Total
	Left	Thru	Right	Peds	Left	Thru	Right	Peds	Left	Thru	Right	Peds	Left	Thru	Right	Peds	
	6.0	4.0	3.0	0.0	2.4	8.7	7.1	0.0	3.3	7.9	0.0	0.0	7.5	5.7	0.0	0.0	4.5
	3.7				5.4				6.9				4.6				



Location: Kenrick Avenue at 175th Street/Junelle Path
 Count Date: 10/18/2022
 Counted By: CountCloud



PM PEAK HOUR TURNING MOVEMENT DATA

All Vehicles

Start Time	175th St				Junelle Path				Kenrick Ave				Kenrick Ave				Int. Total
	Southbound				Westbound				Northbound				Eastbound				
	Left	Thru	Right	Peds	Left	Thru	Right	Peds	Left	Thru	Right	Peds	Left	Thru	Right	Peds	
16:45	14	37	37	0	17	17	17	0	13	35	2	0	60	22	47	0	318
17:00	20	44	34	0	19	24	29	0	27	53	5	1	41	17	42	0	355
17:15	14	32	38	0	11	12	24	0	12	60	3	0	76	18	43	2	343
17:30	22	49	36	0	16	19	29	0	15	34	3	1	45	15	41	0	324
Total	70	162	145	0	63	72	99	0	67	182	13	2	222	72	173	2	1340
% App. Total	18.6	43.0	38.5		26.9	30.8	42.3		25.6	69.5	5.0		47.5	15.4	37.0		
PHF	0.795	0.827	0.954	0.000	0.829	0.750	0.853	0.000	0.620	0.758	0.650	0.500	0.730	0.818	0.920	0.250	0.944

% Trucks	175th St				Junelle Path				Kenrick Ave				Kenrick Ave				Total
	Left	Thru	Right	Peds	Left	Thru	Right	Peds	Left	Thru	Right	Peds	Left	Thru	Right	Peds	
	0.0	0.0	0.0	0.0	0.0	0.0	0.0	0.0	0.0	0.0	0.0	0.0	0.5	0.0	0.6	0.0	
	0.0				0.0				0.0				0.4				0.1

