

**Alliant Engineering, Inc**

233 Park Ave Suite 300  
 Minneapolis, MN 55415

--TRAFFIC DATA --

CSAH-46 at Kenrick Avenue  
 Ref.Pt.: 86.969  
 data by : Alliant Inc.  
 TURN MOVEMENT COUNT

File Name : 364\_CSAH 46 & Kenrick Ave  
 Site Code : 364  
 Start Date : 10/25/2017  
 Page No : 1

Groups Printed- Vehicles - Trucks

Start Time	Kenrick Ave From North				CSAH 46 From East				Kenrick Ave From South				CSAH 46 From West				Int. Total
	Other	Left	Thru	Rght	Other	Left	Thru	Rght	Other	Left	Thru	Rght	Other	Left	Thru	Rght	
06:00 AM	0	2	4	8	0	12	183	4	0	47	2	6	0	2	34	29	333
06:15 AM	0	2	2	22	0	2	222	15	0	69	3	3	0	1	67	25	433
06:30 AM	0	3	4	21	0	1	237	14	0	75	5	2	0	2	42	30	436
06:45 AM	0	1	1	9	0	4	267	17	0	82	4	3	0	2	36	7	433
Total	0	8	11	60	0	19	909	50	0	273	14	14	0	7	179	91	1635
07:00 AM	0	7	1	26	0	5	274	19	0	62	11	3	0	5	78	11	502
07:15 AM	0	4	8	34	0	7	295	19	0	106	10	4	0	6	84	39	616
07:30 AM	0	6	5	16	0	20	361	23	0	83	7	5	0	8	86	32	652
07:45 AM	0	16	8	20	0	16	300	20	0	93	14	9	0	6	111	41	654
Total	0	33	22	96	0	48	1230	81	0	344	42	21	0	25	359	123	2424
08:00 AM	0	7	2	17	0	24	257	17	0	63	4	9	0	10	109	56	575
08:15 AM	0	4	10	23	0	12	249	31	0	72	4	3	0	6	88	48	550
08:30 AM	0	17	5	24	0	19	271	17	0	90	8	8	0	9	124	53	645
08:45 AM	0	9	2	20	0	19	269	20	0	74	5	3	0	7	129	46	603
Total	0	37	19	84	0	74	1046	85	0	299	21	23	0	32	450	203	2373
09:00 AM	0	11	7	17	0	22	218	22	0	79	7	13	0	7	128	42	573
09:15 AM	0	19	12	26	0	23	194	16	0	69	3	12	0	10	117	56	557
*** BREAK ***																	
Total	0	30	19	43	0	45	412	38	0	148	10	25	0	17	245	98	1130
*** BREAK ***																	
10:30 AM	0	16	12	14	0	22	143	11	0	59	6	18	0	10	109	49	469
10:45 AM	0	14	13	16	7	84	68	7	0	49	9	11	0	6	95	51	430
Total	0	30	25	30	7	106	211	18	0	108	15	29	0	16	204	100	899
11:00 AM	0	6	11	7	1	10	133	16	0	59	10	18	1	5	120	48	445
11:15 AM	0	17	12	12	0	21	149	15	0	56	12	21	0	11	140	58	524
11:30 AM	0	19	3	16	0	27	160	15	0	54	16	19	0	6	128	56	519
11:45 AM	0	25	8	14	0	16	181	20	0	66	9	19	0	9	104	49	520
Total	0	67	34	49	1	74	623	66	0	235	47	77	1	31	492	211	2008
12:00 PM	0	10	17	13	0	26	123	17	0	70	13	27	0	9	134	53	512
12:15 PM	0	13	11	21	0	15	145	25	1	64	4	26	0	10	133	52	520
12:30 PM	0	14	12	19	0	27	151	14	0	72	17	15	0	11	111	41	504
12:45 PM	0	18	12	12	0	13	153	16	0	59	10	26	1	10	143	50	523
Total	0	55	52	65	0	81	572	72	1	265	44	94	1	40	521	196	2059
01:00 PM	0	26	9	14	0	22	150	23	0	68	9	23	1	10	112	55	522
01:15 PM	0	13	11	15	0	18	139	20	0	64	12	13	1	10	141	49	506
*** BREAK ***																	
Total	0	39	20	29	0	40	289	43	0	132	21	36	2	20	253	104	1028
*** BREAK ***																	
02:30 PM	0	9	17	14	0	15	141	13	0	61	16	27	0	11	186	47	557
02:45 PM	0	17	16	8	0	21	142	17	0	60	9	18	1	10	251	53	623
Total	0	26	33	22	0	36	283	30	0	121	25	45	1	21	437	100	1180
03:00 PM	0	27	16	22	0	18	165	22	0	49	16	14	1	15	204	50	619
03:15 PM	0	39	25	23	0	20	176	16	0	74	16	16	0	15	164	29	613
03:30 PM	0	26	20	23	0	22	201	17	0	50	8	26	0	22	239	67	721
03:45 PM	0	36	21	21	0	21	180	20	0	71	13	28	0	31	264	61	767
Total	0	128	82	89	0	81	722	75	0	244	53	84	1	83	871	207	2720
04:00 PM	0	41	28	18	0	26	181	14	0	62	13	26	0	17	270	72	768
04:15 PM	0	35	30	16	0	19	206	13	0	67	13	26	0	21	252	54	752
04:30 PM	0	51	24	17	0	14	199	14	0	78	15	27	0	25	316	58	838
04:45 PM	0	44	40	19	0	28	195	14	0	72	19	32	0	44	240	56	803
Total	0	171	122	70	0	87	781	55	0	279	60	111	0	107	1078	240	3161

**Alliant Engineering, Inc**

233 Park Ave Suite 300

Minneapolis, MN 55415

--TRAFFIC DATA --

CSAH-46 at Kenrick Avenue

Ref.Pt.: 86.969

data by : Alliant Inc.

TURN MOVEMENT COUNT

File Name : 364\_CSAH 46 & Kenrick Ave

Site Code : 364

Start Date : 10/25/2017

Page No : 2

Groups Printed- Vehicles - Trucks

Start Time	Kenrick Ave From North				CSAH 46 From East				Kenrick Ave From South				CSAH 46 From West				Int. Total
	Other	Left	Thru	Rght	Other	Left	Thru	Rght	Other	Left	Thru	Rght	Other	Left	Thru	Rght	
05:00 PM	0	40	36	24	0	28	193	25	0	66	17	30	0	29	341	46	875
05:15 PM	0	40	25	24	0	27	182	17	0	76	22	22	0	38	311	43	827
05:30 PM	0	28	22	23	0	21	181	22	0	67	16	25	0	22	330	57	814
05:45 PM	0	43	11	22	0	28	188	21	0	72	27	25	0	32	316	69	854
Total	0	151	94	93	0	104	744	85	0	281	82	102	0	121	1298	215	3370
Grand Total	0	775	533	730	8	795	7822	698	1	2729	434	661	6	520	6387	1888	23987
Apprch %	0	38	26.2	35.8	0.1	8.5	83.9	7.5	0	71.3	11.3	17.3	0.1	5.9	72.6	21.5	
Total %	0	3.2	2.2	3	0	3.3	32.6	2.9	0	11.4	1.8	2.8	0	2.2	26.6	7.9	
Vehicles	0	765	528	706	8	773	7229	685	1	2639	424	643	6	502	5899	1812	22620
% Vehicles	0	98.7	99.1	96.7	100	97.2	92.4	98.1	100	96.7	97.7	97.3	100	96.5	92.4	96	94.3
Trucks	0	10	5	24	0	22	593	13	0	90	10	18	0	18	488	76	1367
% Trucks	0	1.3	0.9	3.3	0	2.8	7.6	1.9	0	3.3	2.3	2.7	0	3.5	7.6	4	5.7

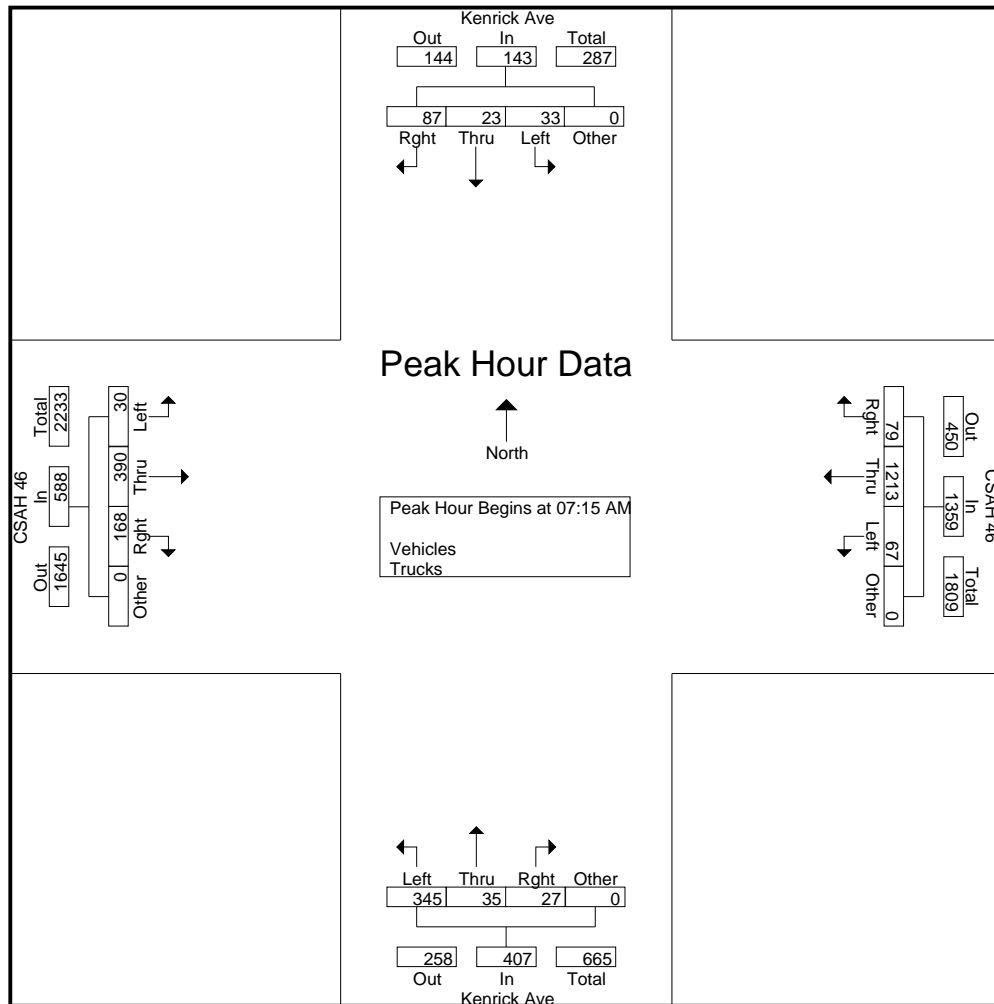
**Alliant Engineering, Inc**

233 Park Ave Suite 300  
 Minneapolis, MN 55415  
 --TRAFFIC DATA --

CSAH-46 at Kenrick Avenue  
 Ref.Pt.: 86.969  
 data by : Alliant Inc.  
 TURN MOVEMENT COUNT

File Name : 364\_CSAH 46 & Kenrick Ave  
 Site Code : 364  
 Start Date : 10/25/2017  
 Page No : 3

Start Time	Kenrick Ave From North					CSAH 46 From East					Kenrick Ave From South					CSAH 46 From West					Int. Total
	Other	Left	Thru	Right	App. Total	Other	Left	Thru	Right	App. Total	Other	Left	Thru	Right	App. Total	Other	Left	Thru	Right	App. Total	
Peak Hour Analysis From 06:00 AM to 11:45 AM - Peak 1 of 1																					
Peak Hour for Entire Intersection Begins at 07:15 AM																					
07:15 AM	0	4	8	34	46	0	7	295	19	321	0	106	10	4	120	0	6	84	39	129	616
07:30 AM	0	6	5	16	27	0	20	361	23	404	0	83	7	5	95	0	8	86	32	126	652
07:45 AM	0	16	8	20	44	0	16	300	20	336	0	93	14	9	116	0	6	111	41	158	654
08:00 AM	0	7	2	17	26	0	24	257	17	298	0	63	4	9	76	0	10	109	56	175	575
Total Volume	0	33	23	87	143	0	67	1213	79	1359	0	345	35	27	407	0	30	390	168	588	2497
% App. Total	0	23.1	16.1	60.8		0	4.9	89.3	5.8		0	84.8	8.6	6.6		0	5.1	66.3	28.6		
PHF	.000	.516	.719	.640	.777	.000	.698	.840	.859	.841	.000	.814	.625	.750	.848	.000	.750	.878	.750	.840	.955



**Alliant Engineering, Inc**

233 Park Ave Suite 300  
 Minneapolis, MN 55415  
 --TRAFFIC DATA --

CSAH-46 at Kenrick Avenue  
 Ref.Pt.: 86.969  
 data by : Alliant Inc.  
 TURN MOVEMENT COUNT

File Name : 364\_CSAH 46 & Kenrick Ave  
 Site Code : 364  
 Start Date : 10/25/2017  
 Page No : 4

Start Time	Kenrick Ave From North					CSAH 46 From East					Kenrick Ave From South					CSAH 46 From West					Int. Total
	Other	Left	Thru	Rght	App. Total	Other	Left	Thru	Rght	App. Total	Other	Left	Thru	Rght	App. Total	Other	Left	Thru	Rght	App. Total	
Peak Hour Analysis From 12:00 PM to 05:45 PM - Peak 1 of 1																					
Peak Hour for Entire Intersection Begins at 05:00 PM																					
05:00 PM	0	40	36	24	100	0	28	193	25	246	0	66	17	30	113	0	29	341	46	416	875
05:15 PM	0	40	25	24	89	0	27	182	17	226	0	76	22	22	120	0	38	311	43	392	827
05:30 PM	0	28	22	23	73	0	21	181	22	224	0	67	16	25	108	0	22	330	57	409	814
05:45 PM	0	43	11	22	76	0	28	188	21	237	0	72	27	25	124	0	32	316	69	417	854
Total Volume	0	151	94	93	338	0	104	744	85	933	0	281	82	102	465	0	121	1298	215	1634	3370
% App. Total	0	44.7	27.8	27.5		0	11.1	79.7	9.1		0	60.4	17.6	21.9		0	7.4	79.4	13.2		
PHF	.000	.878	.653	.969	.845	.000	.929	.964	.850	.948	.000	.924	.759	.850	.938	.000	.796	.952	.779	.980	.963

