



MINNESOTA DEPT OF TRANSPORTATION

TRAFFIC DATA COLLECTION - METRO

I-35W at Cliff Rd W., East Ramps
 Ref.Pt.: 003.414
 JAMAR # D4-3358 BH
 TURN MOVEMENT COUNT

File Name : I-35W at Cliff Rd East Ramps 2008
 Site Code : 35010908
 Start Date : 1/9/2008
 Page No : 1

Groups Printed- Cars & Trucks

Start Time	I-35W East Frontage Rd. Southbound				Business Entrance Westbound				I-35W East Frontage Rd. Northbound				ramps From /To I-35W NB Eastbound				Int. Total
	Left	Thru	Right	Peds	Left	Thru	Right	Peds	Left	Thru	Right	Peds	Left	Thru	Right	Peds	
06:00	0	0	0	0	0	0	0	0	64	1	1	0	0	0	12	0	78
06:15	0	0	1	0	0	0	0	0	78	1	2	0	0	0	6	0	88
06:30	0	1	0	0	1	1	0	0	96	2	4	0	0	3	15	0	123
06:45	0	1	0	0	0	0	0	0	146	5	7	0	1	0	4	0	164
Total	0	2	1	0	1	1	0	0	384	9	14	0	1	3	37	0	453
07:00	0	2	1	0	2	0	0	0	193	3	4	0	0	3	5	0	213
07:15	0	1	0	0	0	1	2	0	271	2	5	0	0	3	3	0	288
07:30	0	5	0	0	3	0	2	0	325	2	5	0	0	2	5	0	349
07:45	0	2	1	0	1	0	0	0	255	2	8	0	1	0	6	0	276
Total	0	10	2	0	6	1	4	0	1044	9	22	0	1	8	19	0	1126
08:00	0	1	1	0	1	0	0	0	232	1	3	0	3	1	6	0	249
08:15	0	1	1	0	2	1	0	0	205	0	8	0	0	0	9	0	227
08:30	0	1	0	0	1	2	0	0	122	0	5	0	0	1	9	0	141
08:45	0	2	2	0	2	1	0	0	116	2	6	0	0	3	13	0	147
Total	0	5	4	0	6	4	0	0	675	3	22	0	3	5	37	0	764
*** BREAK ***																	
15:30	0	0	0	0	5	2	0	0	108	3	7	0	0	2	6	0	133
15:45	0	4	1	0	5	5	0	0	83	1	2	0	1	3	8	0	113
Total	0	4	1	0	10	7	0	0	191	4	9	0	1	5	14	0	246
16:00	0	2	0	0	7	2	0	0	98	1	4	0	0	1	10	0	125
16:15	0	1	2	0	3	4	0	0	89	1	2	0	1	4	11	0	118
16:30	0	1	0	0	3	3	0	0	113	3	0	0	0	0	13	0	136
16:45	0	0	1	0	4	3	0	0	90	2	4	0	1	1	8	0	114
Total	0	4	3	0	17	12	0	0	390	7	10	0	2	6	42	0	493
17:00	0	2	1	0	9	0	1	0	149	0	3	0	0	1	14	0	180
17:15	0	1	1	0	2	0	0	0	98	1	1	0	1	1	12	0	118
17:30	0	1	0	0	3	1	0	0	112	0	0	0	0	0	9	0	126
17:45	1	1	0	0	4	0	0	0	81	1	3	0	0	1	11	0	103
Total	1	5	2	0	18	1	1	0	440	2	7	0	1	3	46	0	527
Grand Total	1	30	13	0	58	26	5	0	3124	34	84	0	9	30	195	0	3609
Apprch %	2.3	68.2	29.5	0	65.2	29.2	5.6	0	96.4	1	2.6	0	3.8	12.8	83.3	0	
Total %	0	0.8	0.4	0	1.6	0.7	0.1	0	86.6	0.9	2.3	0	0.2	0.8	5.4	0	



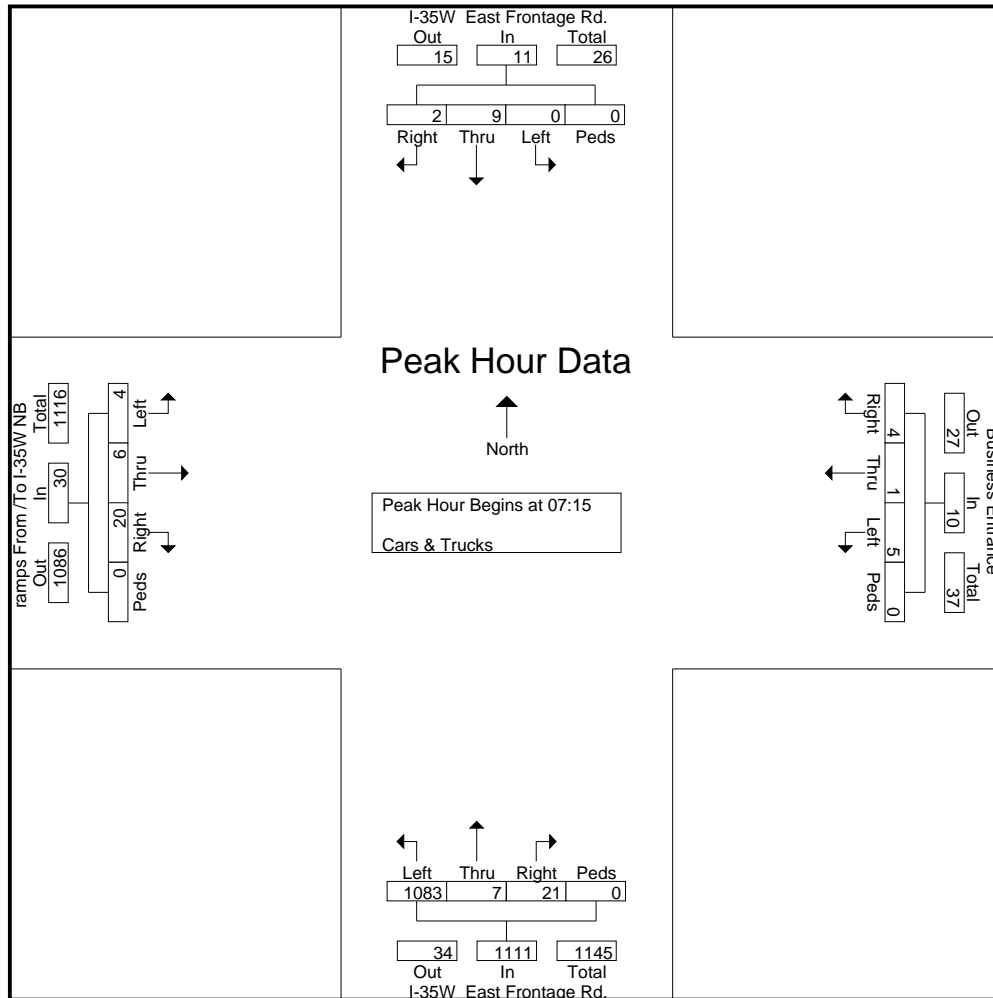
MINNESOTA DEPT OF TRANSPORTATION

TRAFFIC DATA COLLECTION - METRO

I-35W at Cliff Rd W., East Ramps
 Ref.Pt.: 003.414
 JAMAR # D4-3358 BH
 TURN MOVEMENT COUNT

File Name : I-35W at Cliff Rd East Ramps 2008
 Site Code : 35010908
 Start Date : 1/9/2008
 Page No : 2

Start Time	I-35W East Frontage Rd. Southbound					Business Entrance Westbound					I-35W East Frontage Rd. Northbound					ramps From /To I-35W NB Eastbound					Int. Total
	Left	Thru	Right	Peds	App. Total	Left	Thru	Right	Peds	App. Total	Left	Thru	Right	Peds	App. Total	Left	Thru	Right	Peds	App. Total	
Peak Hour Analysis From 06:00 to 08:45 - Peak 1 of 1																					
Peak Hour for Entire Intersection Begins at 07:15																					
07:15	0	1	0	0	1	0	1	2	0	3	271	2	5	0	278	0	3	3	0	6	288
07:30	0	5	0	0	5	3	0	2	0	5	325	2	5	0	332	0	2	5	0	7	349
07:45	0	2	1	0	3	1	0	0	0	1	255	2	8	0	265	1	0	6	0	7	276
08:00	0	1	1	0	2	1	0	0	0	1	232	1	3	0	236	3	1	6	0	10	249
Total Volume	0	9	2	0	11	5	1	4	0	10	1083	7	21	0	1111	4	6	20	0	30	1162
% App. Total	0	81.8	18.2	0		50	10	40	0		97.5	0.6	1.9	0		13.3	20	66.7	0		
PHF	.000	.450	.500	.000	.550	.417	.250	.500	.000	.500	.833	.875	.656	.000	.837	.333	.500	.833	.000	.750	.832





MINNESOTA DEPT OF TRANSPORTATION

TRAFFIC DATA COLLECTION - METRO

I-35W at Cliff Rd W., East Ramps
 Ref.Pt.: 003.414
 JAMAR # D4-3358 BH
 TURN MOVEMENT COUNT

File Name : I-35W at Cliff Rd East Ramps 2008
 Site Code : 35010908
 Start Date : 1/9/2008
 Page No : 3

Start Time	I-35W East Frontage Rd. Southbound					Business Entrance Westbound					I-35W East Frontage Rd. Northbound					ramps From /To I-35W NB Eastbound					Int. Total
	Left	Thru	Right	Peds	App. Total	Left	Thru	Right	Peds	App. Total	Left	Thru	Right	Peds	App. Total	Left	Thru	Right	Peds	App. Total	
Peak Hour Analysis From 15:00 to 17:45 - Peak 1 of 1																					
Peak Hour for Entire Intersection Begins at 16:15																					
16:15	0	1	2	0	3	3	4	0	0	7	89	1	2	0	92	1	4	11	0	16	118
16:30	0	1	0	0	1	3	3	0	0	6	113	3	0	0	116	0	0	13	0	13	136
16:45	0	0	1	0	1	4	3	0	0	7	90	2	4	0	96	1	1	8	0	10	114
17:00	0	2	1	0	3	9	0	1	0	10	149	0	3	0	152	0	1	14	0	15	180
Total Volume	0	4	4	0	8	19	10	1	0	30	441	6	9	0	456	2	6	46	0	54	548
% App. Total																					
PHF	.000	.500	.500	.000	.667	.528	.625	.250	.000	.750	.740	.500	.563	.000	.750	.500	.375	.821	.000	.844	.761

