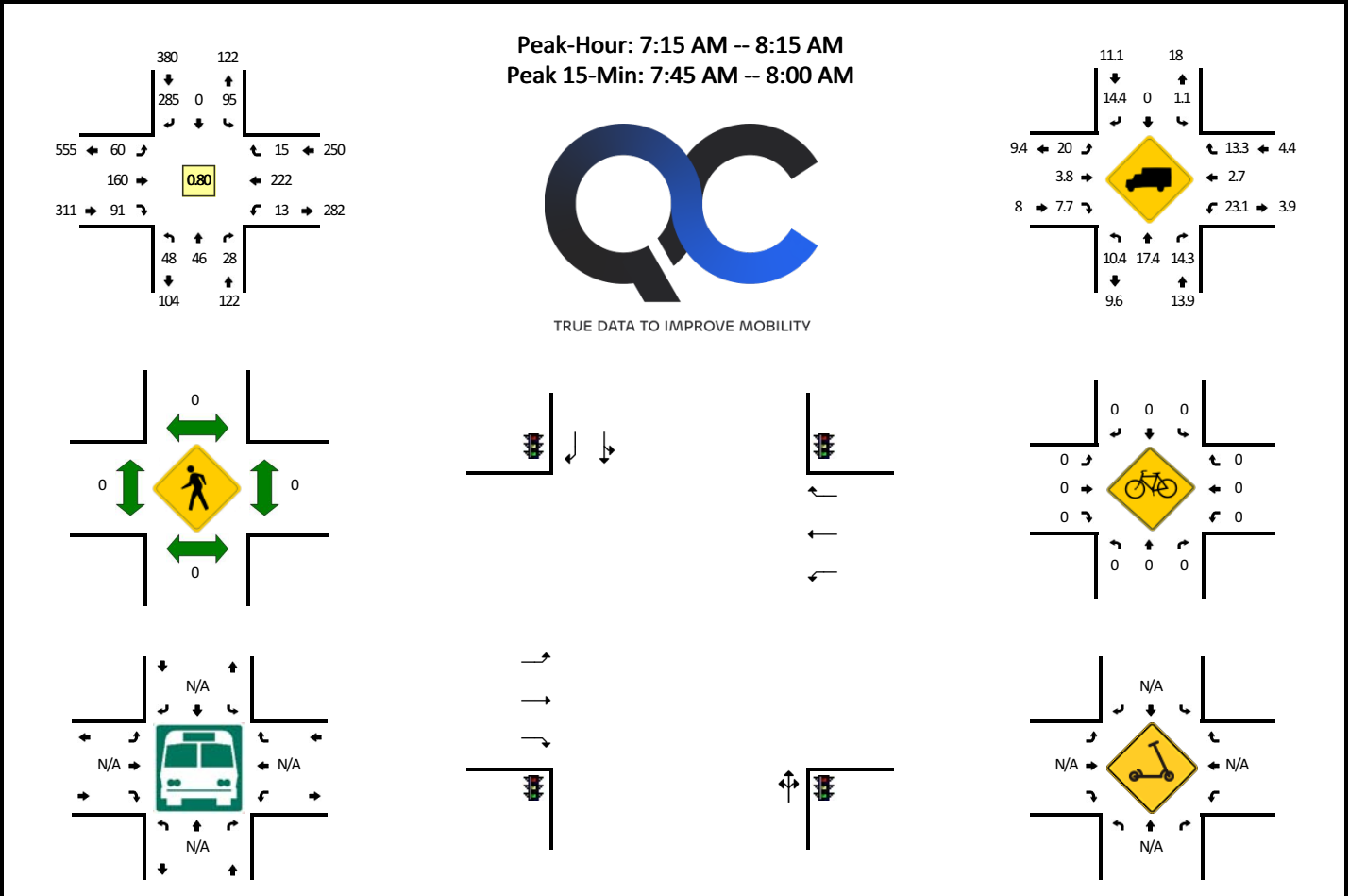


LOCATION: I-35W NB Ramps -- 95th Ave NE
CITY/STATE: Blaine, MN

QC JOB #: 16374023
DATE: Thu, Oct 26 2023



15-Min Count Period Beginning At	I-35W NB Ramps (Northbound)				I-35W NB Ramps (Southbound)				95th Ave NE (Eastbound)				95th Ave NE (Westbound)				Total	Hourly Totals
	Left	Thru	Right	U	Left	Thru	Right	U	Left	Thru	Right	U	Left	Thru	Right	U		
7:00 AM	14	6	2	0	11	0	58	0	11	26	18	0	5	45	0	0	196	
7:15 AM	4	11	4	0	14	0	67	0	18	29	20	0	3	61	1	0	232	
7:30 AM	17	12	6	0	27	0	60	0	17	47	22	0	3	47	8	0	266	
7:45 AM	15	16	12	0	38	0	82	1	13	51	27	0	4	69	6	0	334	1028
8:00 AM	12	7	6	0	15	0	76	0	12	33	22	0	3	45	0	0	231	1063
8:15 AM	14	6	5	0	16	1	74	0	17	28	21	0	1	38	1	0	222	1053
8:30 AM	14	12	8	0	23	0	71	1	12	31	26	1	6	42	5	0	252	1039
8:45 AM	10	6	5	0	18	0	61	0	16	46	21	0	4	66	4	0	257	962
Peak 15-Min Flowrates	Northbound				Southbound				Eastbound				Westbound				Total	
	Left	Thru	Right	U	Left	Thru	Right	U	Left	Thru	Right	U	Left	Thru	Right	U		
All Vehicles	60	64	48	0	152	0	328	4	52	204	108	0	16	276	24	0	1336	
Heavy Trucks	0	16	12		4	0	36		4	12	4		0	8	4		100	
Buses																		
Pedestrians		0				0				0				0			0	
Bicycles	0	0	0		0	0	0		0	0	0		0	0	0		0	
Scooters																		

Comments: