

SRF CONSULTING
Traffic Data Collection
TURN MOVEMENT COUNT

Ridgedale Dr at Wayzata Blvd / Mall Entr
Ref.Pt.: Minnetonka
Data by: Joanne - SRF Consulting
TURN MOVEMENT COUNT

File Name : Ridgedale Dr at Wayzata Blvd 2007
Site Code : 03071612
Start Date : 3/7/2007
Page No : 1

Groups Printed- Unshifted

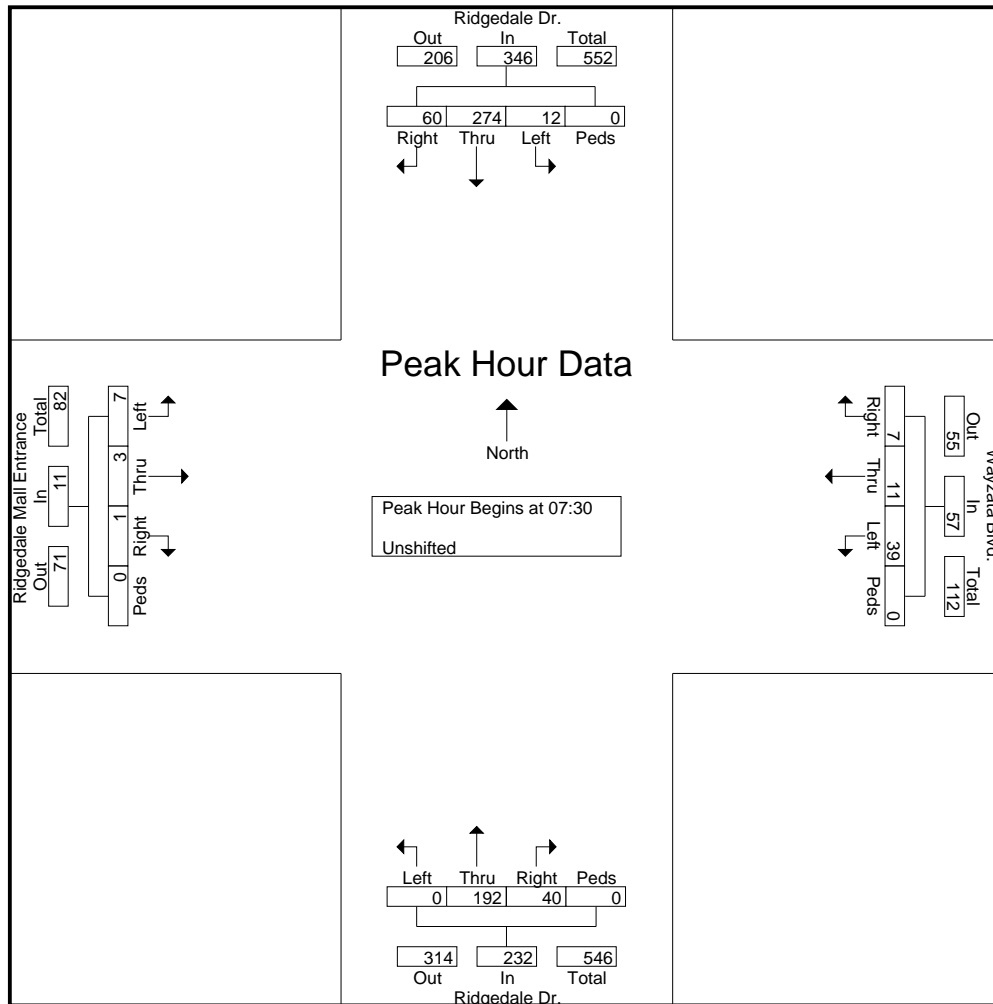
Start Time	Ridgedale Dr. Southbound				Wayzata Blvd. Westbound				Ridgedale Dr. Northbound				Ridgedale Mall Entrance Eastbound				Int. Total
	Left	Thru	Right	Peds	Left	Thru	Right	Peds	Left	Thru	Right	Peds	Left	Thru	Right	Peds	
06:00	0	11	6	0	2	0	0	0	0	8	2	0	3	0	0	0	32
06:15	0	18	3	0	1	1	0	0	0	8	1	0	0	0	0	0	32
06:30	3	22	6	0	3	1	2	0	0	23	5	0	2	1	0	0	68
06:45	1	34	16	0	1	0	1	0	0	34	6	0	0	1	0	0	94
Total	4	85	31	0	7	2	3	0	0	73	14	0	5	2	0	0	226
07:00	4	42	7	0	5	2	1	0	0	40	5	0	2	0	0	0	108
07:15	4	40	9	0	4	0	0	0	0	28	13	0	1	0	0	0	99
07:30	3	59	14	0	8	4	0	0	0	56	11	0	1	1	0	0	157
07:45	4	75	16	0	12	2	3	0	0	57	10	0	1	0	0	0	180
Total	15	216	46	0	29	8	4	0	0	181	39	0	5	1	0	0	544
08:00	4	67	19	0	14	1	2	0	0	35	7	0	1	0	0	0	150
08:15	1	73	11	0	5	4	2	0	0	44	12	0	4	2	1	0	159
08:30	3	60	21	0	7	1	1	0	0	49	9	0	0	1	0	0	152
08:45	2	67	27	0	6	2	0	0	1	46	3	0	1	1	0	0	156
Total	10	267	78	0	32	8	5	0	1	174	31	0	6	4	1	0	617
** Break **																	
11:00	2	85	64	0	18	11	4	0	1	57	13	0	12	2	6	0	275
11:15	1	114	99	0	14	10	1	0	2	65	20	0	11	4	6	0	347
11:30	0	112	115	0	19	16	2	0	1	67	16	0	13	9	6	0	376
11:45	2	115	118	0	25	12	1	0	4	66	21	0	12	7	5	0	388
Total	5	426	396	0	76	49	8	0	8	255	70	0	48	22	23	0	1386
12:00	0	102	109	0	17	20	10	0	3	73	28	0	23	5	6	0	396
12:15	6	118	128	0	19	15	3	0	0	80	21	0	17	5	7	0	419
12:30	8	102	113	0	29	17	2	0	1	76	34	0	35	8	7	0	432
12:45	8	126	121	0	19	15	3	0	1	76	27	0	22	13	8	0	439
Total	22	448	471	0	84	67	18	0	5	305	110	0	97	31	28	0	1686
** Break **																	
15:30	5	102	68	0	10	20	0	0	0	57	33	0	11	3	3	0	312
15:45	2	117	74	0	15	17	5	0	0	52	17	0	10	7	9	0	325
Total	7	219	142	0	25	37	5	0	0	109	50	0	21	10	12	0	637
16:00	6	90	62	0	22	14	1	0	1	69	21	0	21	6	7	0	320
16:15	4	94	78	0	26	11	1	0	0	52	25	0	17	9	6	0	323
16:30	2	105	67	0	28	18	4	0	3	54	41	0	17	9	3	0	351
16:45	4	118	81	0	29	21	6	0	1	54	25	0	20	7	10	0	376
Total	16	407	288	0	105	64	12	0	5	229	112	0	75	31	26	0	1370
17:00	11	126	46	0	26	21	4	0	0	68	31	0	13	8	7	0	361
17:15	8	139	84	0	39	10	5	0	0	55	25	0	11	8	8	0	392
17:30	6	115	74	0	34	20	3	0	1	63	32	0	17	10	8	0	383
17:45	3	117	92	0	29	24	6	0	0	55	25	0	24	10	5	0	390
Total	28	497	296	0	128	75	18	0	1	241	113	0	65	36	28	0	1526
18:00	6	135	79	0	17	15	3	0	0	69	15	0	21	9	7	0	376
18:15	3	101	94	0	13	14	0	0	2	76	16	0	17	3	4	0	343
Grand Total	116	2801	1921	0	516	339	76	0	22	1712	570	0	360	149	129	0	8711
Apprch %	2.4	57.9	39.7	0	55.4	36.4	8.2	0	1	74.3	24.7	0	56.4	23.4	20.2	0	
Total %	1.3	32.2	22.1	0	5.9	3.9	0.9	0	0.3	19.7	6.5	0	4.1	1.7	1.5	0	

SRF CONSULTING
Traffic Data Collection
TURN MOVEMENT COUNT

Ridgedale Dr at Wayzata Blvd / Mall Entr
Ref.Pt.: Minnetonka
Data by: Joanne - SRF Consulting
TURN MOVEMENT COUNT

File Name : Ridgedale Dr at Wayzata Blvd 2007
Site Code : 03071612
Start Date : 3/7/2007
Page No : 2

Start Time	Ridgedale Dr. Southbound					Wayzata Blvd. Westbound					Ridgedale Dr. Northbound					Ridgedale Mall Entrance Eastbound					Int. Total
	Left	Thru	Right	Peds	App. Total	Left	Thru	Right	Peds	App. Total	Left	Thru	Right	Peds	App. Total	Left	Thru	Right	Peds	App. Total	
Peak Hour Analysis From 06:00 to 08:45 - Peak 1 of 1																					
Peak Hour for Entire Intersection Begins at 07:30																					
07:30	3	59	14	0	76	8	4	0	0	12	0	56	11	0	67	1	1	0	0	2	157
07:45	4	75	16	0	95	12	2	3	0	17	0	57	10	0	67	1	0	0	0	1	180
08:00	4	67	19	0	90	14	1	2	0	17	0	35	7	0	42	1	0	0	0	1	150
08:15	1	73	11	0	85	5	4	2	0	11	0	44	12	0	56	4	2	1	0	7	159
Total Volume	12	274	60	0	346	39	11	7	0	57	0	192	40	0	232	7	3	1	0	11	646
% App. Total	3.5	79.2	17.3	0		68.4	19.3	12.3	0		0	82.8	17.2	0		63.6	27.3	9.1	0		
PHF	.750	.913	.789	.000	.911	.696	.688	.583	.000	.838	.000	.842	.833	.000	.866	.438	.375	.250	.000	.393	.897



SRF CONSULTING
Traffic Data Collection
TURN MOVEMENT COUNT

Ridgedale Dr at Wayzata Blvd / Mall Entr
Ref.Pt.: Minnetonka
Data by: Joanne - SRF Consulting
TURN MOVEMENT COUNT

File Name : Ridgedale Dr at Wayzata Blvd 2007
Site Code : 03071612
Start Date : 3/7/2007
Page No : 3

Start Time	Ridgedale Dr. Southbound					Wayzata Blvd. Westbound					Ridgedale Dr. Northbound					Ridgedale Mall Entrance Eastbound					Int. Total
	Left	Thru	Right	Peds	App. Total	Left	Thru	Right	Peds	App. Total	Left	Thru	Right	Peds	App. Total	Left	Thru	Right	Peds	App. Total	
Peak Hour Analysis From 15:00 to 18:15 - Peak 1 of 1 Peak Hour for Entire Intersection Begins at 17:15																					
17:15	8	139	84	0	231	39	10	5	0	54	0	55	25	0	80	11	8	8	0	27	392
17:30	6	115	74	0	195	34	20	3	0	57	1	63	32	0	96	17	10	8	0	35	383
17:45	3	117	92	0	212	29	24	6	0	59	0	55	25	0	80	24	10	5	0	39	390
18:00	6	135	79	0	220	17	15	3	0	35	0	69	15	0	84	21	9	7	0	37	376
Total Volume	23	506	329	0	858	119	69	17	0	205	1	242	97	0	340	73	37	28	0	138	1541
% App. Total	2.7	59	38.3	0		58	33.7	8.3	0		0.3	71.2	28.5	0		52.9	26.8	20.3	0		
PHF	.719	.910	.894	.000	.929	.763	.719	.708	.000	.869	.250	.877	.758	.000	.885	.760	.925	.875	.000	.885	.983

