



# MINNESOTA DEPT OF TRANSPORTATION

## TRAFFIC DATA COLLECTION - METRO

Park Place Blvd at 16th St W  
 Ref.Pt.: 005.370 ( S of I-394)  
 video JI  
 TURN MOVEMENT COUNT - Monday

File Name : Park Place Blvd at 16th St W 2013 Monday  
 Site Code :  
 Start Date : 7/1/2013  
 Page No : 1

Groups Printed- Cars +

Start Time	Park Place Blvd Southbound				16th Street W Westbound				Park Place Blvd Northbound				16th Street W Eastbound				Int. Total
	Right	Thru	Left	Peds	Right	Thru	Left	Peds	Right	Thru	Left	Peds	Right	Thru	Left	Peds	
06:00	14	31	13	0	6	0	0	0	1	11	1	0	0	0	16	0	93
06:15	15	23	11	0	4	0	1	0	4	19	2	0	0	2	7	0	88
06:30	24	38	19	0	5	4	2	0	4	12	6	0	0	3	16	0	133
06:45	56	43	30	0	7	5	0	0	6	26	6	0	3	4	29	0	215
Total	109	135	73	0	22	9	3	0	15	68	15	0	3	9	68	0	529
07:00	40	46	48	0	5	3	0	0	3	41	11	0	4	2	24	0	227
07:15	37	53	47	0	17	3	6	0	3	51	11	0	3	6	28	0	265
07:30	48	56	53	0	6	2	3	0	7	66	6	0	6	10	39	0	302
07:45	58	66	62	0	8	4	2	0	6	55	4	0	9	13	30	0	317
Total	183	221	210	0	36	12	11	0	19	213	32	0	22	31	121	0	1111
08:00	72	68	58	0	11	4	4	0	8	66	8	0	3	6	43	0	351
08:15	64	82	49	0	14	4	3	0	9	75	8	0	5	12	51	0	376
08:30	55	105	51	0	10	3	6	0	12	79	12	0	5	16	48	0	402
08:45	58	102	61	0	16	4	6	0	9	70	4	0	8	9	28	0	375
Total	249	357	219	0	51	15	19	0	38	290	32	0	21	43	170	0	1504
***** BREAK *****																	
11:00	93	94	43	0	35	10	10	0	18	64	7	0	8	22	97	0	501
11:15	89	111	56	0	34	23	11	0	16	85	9	0	12	24	93	0	563
11:30	115	103	81	0	42	20	7	0	22	90	17	0	9	25	83	0	614
11:45	96	121	83	0	41	22	16	0	13	78	14	0	9	24	114	0	631
Total	393	429	263	0	152	75	44	0	69	317	47	0	38	95	387	0	2309
12:00	96	107	64	0	53	18	11	0	16	111	11	0	14	40	105	0	646
12:15	121	118	53	0	48	30	17	0	21	92	11	0	17	37	111	0	676
12:30	103	100	46	0	56	27	13	0	10	85	8	0	9	24	125	0	606
12:45	82	79	43	0	72	24	9	0	7	109	16	0	9	33	117	0	600
Total	402	404	206	0	229	99	50	0	54	397	46	0	49	134	458	0	2528
***** BREAK *****																	
15:00	73	97	39	0	56	10	9	0	17	87	6	0	8	20	100	0	522
15:15	78	83	42	0	52	17	10	0	12	97	7	0	13	23	86	0	520
15:30	86	90	52	0	68	21	11	0	10	99	7	0	15	23	105	0	587
15:45	74	108	56	0	61	24	16	0	17	87	12	0	14	24	113	0	606
Total	311	378	189	0	237	72	46	0	56	370	32	0	50	90	404	0	2235
16:00	94	102	53	0	76	21	16	0	17	88	5	0	14	22	121	0	629
16:15	93	87	59	0	68	19	15	0	19	112	2	0	22	26	117	0	639
16:30	91	112	69	0	82	19	14	0	18	100	9	0	14	28	96	0	652
16:45	81	124	73	0	82	26	22	0	16	79	3	0	16	15	98	0	635
Total	359	425	254	0	308	85	67	0	70	379	19	0	66	91	432	0	2555
17:00	81	128	69	0	83	38	15	0	21	94	12	0	17	40	118	0	716
17:15	90	117	59	0	84	25	17	0	27	102	8	0	21	40	124	0	714
17:30	83	121	68	0	71	23	11	0	24	82	10	0	14	33	108	0	648
17:45	88	106	58	0	68	31	21	0	36	82	9	0	11	26	96	0	632
Total	342	472	254	0	306	117	64	0	108	360	39	0	63	139	446	0	2710
Grand Total	2348	2821	1668	0	1341	484	304	0	429	2394	262	0	312	632	2486	0	15481
Apprch %	34.3	41.3	24.4	0	63	22.7	14.3	0	13.9	77.6	8.5	0	9.1	18.4	72.5	0	
Total %	15.2	18.2	10.8	0	8.7	3.1	2	0	2.8	15.5	1.7	0	2	4.1	16.1	0	



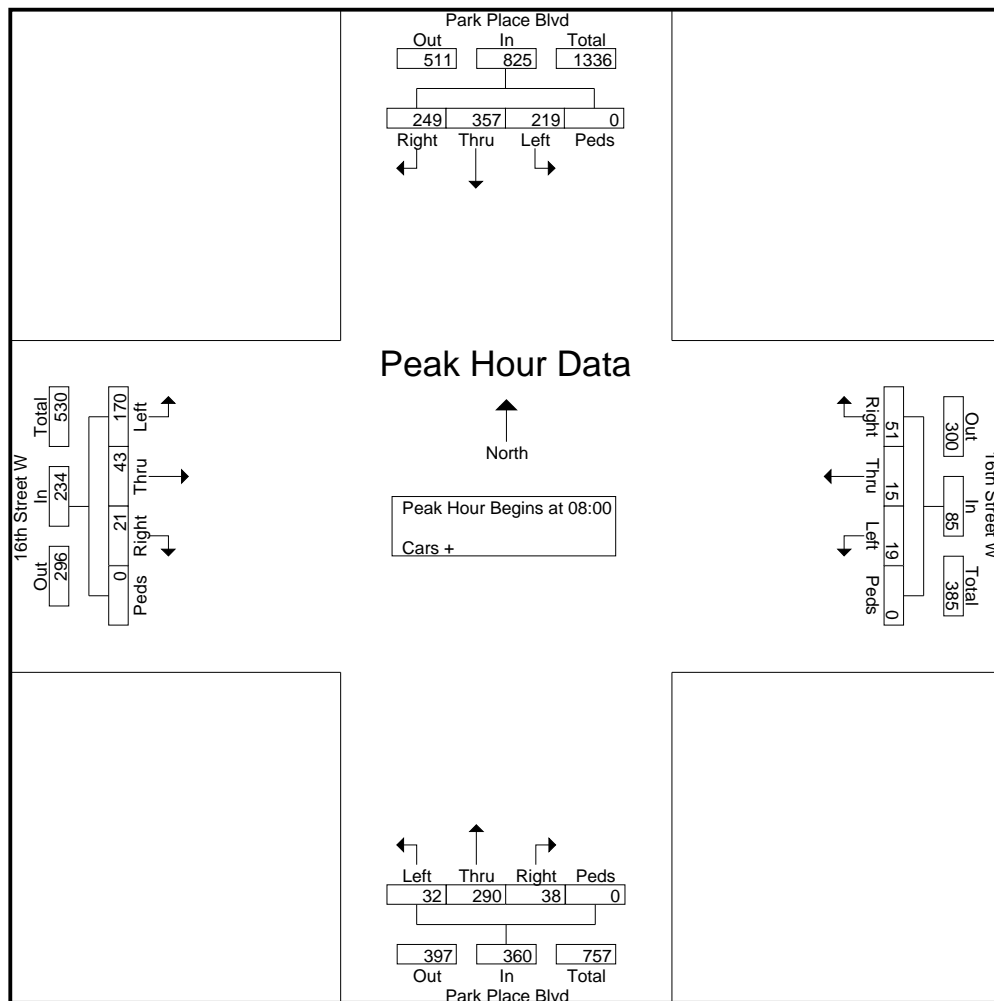
# MINNESOTA DEPT OF TRANSPORTATION

## TRAFFIC DATA COLLECTION - METRO

Park Place Blvd at 16th St W  
 Ref.Pt.: 005.370 ( S of I-394)  
 video JI  
 TURN MOVEMENT COUNT - Monday

File Name : Park Place Blvd at 16th St W 2013 Monday  
 Site Code :  
 Start Date : 7/1/2013  
 Page No : 2

Start Time	Park Place Blvd Southbound					16th Street W Westbound					Park Place Blvd Northbound					16th Street W Eastbound					Int. Total
	Right	Thru	Left	Peds	App. Total	Right	Thru	Left	Peds	App. Total	Right	Thru	Left	Peds	App. Total	Right	Thru	Left	Peds	App. Total	
Peak Hour Analysis From 06:00 to 08:45 - Peak 1 of 1																					
Peak Hour for Entire Intersection Begins at 08:00																					
08:00	72	68	58	0	198	11	4	4	0	19	8	66	8	0	82	3	6	43	0	52	351
08:15	64	82	49	0	195	14	4	3	0	21	9	75	8	0	92	5	12	51	0	68	376
08:30	55	105	51	0	211	10	3	6	0	19	12	79	12	0	103	5	16	48	0	69	402
08:45	58	102	61	0	221	16	4	6	0	26	9	70	4	0	83	8	9	28	0	45	375
Total Volume	249	357	219	0	825	51	15	19	0	85	38	290	32	0	360	21	43	170	0	234	1504
% App. Total	30.2	43.3	26.5	0		60	17.6	22.4	0		10.6	80.6	8.9	0		9	18.4	72.6	0		
PHF	.865	.850	.898	.000	.933	.797	.938	.792	.000	.817	.792	.918	.667	.000	.874	.656	.672	.833	.000	.848	.935





# MINNESOTA DEPT OF TRANSPORTATION

## TRAFFIC DATA COLLECTION - METRO

Park Place Blvd at 16th St W  
 Ref.Pt.: 005.370 ( S of I-394)  
 video JI  
 TURN MOVEMENT COUNT - Monday

File Name : Park Place Blvd at 16th St W 2013 Monday  
 Site Code :  
 Start Date : 7/1/2013  
 Page No : 3

Start Time	Park Place Blvd Southbound					16th Street W Westbound					Park Place Blvd Northbound					16th Street W Eastbound					Int. Total
	Right	Thru	Left	Peds	App. Total	Right	Thru	Left	Peds	App. Total	Right	Thru	Left	Peds	App. Total	Right	Thru	Left	Peds	App. Total	
16:30	91	112	69	0	272	82	19	14	0	115	18	100	9	0	127	14	28	96	0	138	652
16:45	81	124	73	0	278	82	26	22	0	130	16	79	3	0	98	16	15	98	0	129	635
17:00	81	128	69	0	278	83	38	15	0	136	21	94	12	0	127	17	40	118	0	175	716
17:15	90	117	59	0	266	84	25	17	0	126	27	102	8	0	137	21	40	124	0	185	714
Total Volume	343	481	270	0	1094	331	108	68	0	507	82	375	32	0	489	68	123	436	0	627	2717
% App. Total	31.4	44	24.7	0		65.3	21.3	13.4	0		16.8	76.7	6.5	0		10.8	19.6	69.5	0		
PHF	.942	.939	.925	.000	.984	.985	.711	.773	.000	.932	.759	.919	.667	.000	.892	.810	.769	.879	.000	.847	.949

Peak Hour Analysis From 15:00 to 17:45 - Peak 1 of 1  
 Peak Hour for Entire Intersection Begins at 16:30

