

ALLIANT ENGINEERING, INC.

733 S Marquette Ave #700, Minneapolis, MN 55402

Xenia Ave & Golden Hills Dr
 City: Golden Valley
 data by: Alliant Engineering, Inc.
 TURN MOVEMENT COUNT

File Name : Xenia Ave & Golden Hills Dr_2021
 Site Code : 1735820
 Start Date : 11/10/2021
 Page No : 1

Groups Printed- Cars - Trucks

Start Time	Xenia Ave Southbound					Golden Hills Dr Westbound					Xenia Ave Northbound					Golden Hills Dr Eastbound					Int. Total
	Left	Thru	Right	Peds	App. Total	Left	Thru	Right	Peds	App. Total	Left	Thru	Right	Peds	App. Total	Left	Thru	Right	Peds	App. Total	
12:00 AM	0	0	1	0	1	1	0	0	0	1	0	1	0	0	1	0	0	1	0	1	4
12:15 AM	0	1	1	0	2	1	0	0	0	1	2	2	2	0	6	0	0	1	0	1	10
12:30 AM	0	3	0	0	3	1	1	0	0	2	1	0	1	0	2	1	0	0	0	1	8
12:45 AM	0	0	0	0	0	0	0	0	0	0	2	0	1	0	3	1	0	6	0	7	10
Total	0	4	2	0	6	3	1	0	0	4	5	3	4	0	12	2	0	8	0	10	32
01:00 AM	0	3	1	0	4	3	0	2	0	5	1	2	0	0	3	2	0	0	0	2	14
01:15 AM	0	0	0	0	0	2	0	0	0	2	0	0	0	0	0	0	0	1	0	1	3
01:30 AM	0	0	0	0	0	0	0	0	0	0	1	0	2	0	3	2	0	3	0	5	8
01:45 AM	0	0	1	0	1	0	0	0	0	0	0	0	2	0	2	1	0	0	0	1	4
Total	0	3	2	0	5	5	0	2	0	7	2	2	4	0	8	5	0	4	0	9	29
02:00 AM	3	0	1	0	4	1	0	0	0	1	0	0	0	0	0	0	0	0	0	0	5
02:15 AM	1	0	0	0	1	0	0	0	0	0	2	1	0	0	3	0	0	1	0	1	5
02:30 AM	0	2	0	0	2	0	0	0	0	0	0	0	0	0	0	0	0	0	0	0	2
02:45 AM	0	2	0	0	2	0	0	0	0	0	1	2	0	0	3	0	0	0	0	0	5
Total	4	4	1	0	9	1	0	0	0	1	3	3	0	0	6	0	0	1	0	1	17
03:00 AM	0	0	1	0	1	1	0	0	0	1	0	1	1	0	2	0	0	1	0	1	5
03:15 AM	0	1	0	0	1	0	0	0	0	0	0	0	1	0	1	0	0	0	0	0	2
03:30 AM	0	0	0	0	0	0	0	0	0	0	2	0	0	0	2	0	0	1	0	1	3
03:45 AM	0	1	0	0	1	0	0	1	0	1	1	0	0	0	1	0	0	3	0	3	6
Total	0	2	1	0	3	1	0	1	0	2	3	1	2	0	6	0	0	5	0	5	16
04:00 AM	0	1	0	0	1	0	0	0	0	0	1	0	0	0	1	0	0	0	0	0	2
04:15 AM	0	0	2	0	2	0	0	0	0	0	1	3	0	0	4	0	0	2	0	2	8
04:30 AM	0	0	1	0	1	1	0	0	0	1	3	2	1	0	6	0	0	1	0	1	9
04:45 AM	1	7	1	0	9	2	0	0	0	2	5	2	0	0	7	0	0	0	0	0	18
Total	1	8	4	0	13	3	0	0	0	3	10	7	1	0	18	0	0	3	0	3	37
05:00 AM	0	5	1	0	6	0	0	0	0	0	0	0	3	0	3	0	0	0	0	0	9
05:15 AM	0	4	0	0	4	3	1	0	0	4	3	2	0	0	5	0	0	3	0	3	16
05:30 AM	0	9	1	0	10	7	0	2	0	9	6	2	3	0	11	0	0	1	0	1	31
05:45 AM	2	15	2	0	19	10	1	0	0	11	20	8	3	0	31	0	0	3	0	3	64
Total	2	33	4	0	39	20	2	2	0	24	29	12	9	0	50	0	0	7	0	7	120
06:00 AM	2	11	6	0	19	14	0	1	0	15	9	3	8	0	20	1	1	6	0	8	62
06:15 AM	1	9	1	0	11	11	0	4	0	15	13	6	2	0	21	2	1	0	0	3	50
06:30 AM	3	23	8	0	34	9	1	2	0	12	23	8	9	0	40	1	0	3	0	4	90
06:45 AM	5	21	8	0	34	19	1	6	0	26	40	9	13	0	62	2	0	5	0	7	129
Total	11	64	23	0	98	53	2	13	0	68	85	26	32	0	143	6	2	14	0	22	331
07:00 AM	5	33	5	0	43	24	3	6	0	33	26	19	18	0	63	4	0	10	0	14	153
07:15 AM	9	57	10	0	76	26	0	4	0	30	33	26	19	0	78	2	1	21	0	24	208
07:30 AM	11	63	15	0	89	38	1	8	0	47	45	30	25	1	101	3	2	20	0	25	262
07:45 AM	19	71	14	0	104	37	1	8	0	46	58	48	57	3	166	9	5	13	1	28	344
Total	44	224	44	0	312	125	5	26	0	156	162	123	119	4	408	18	8	64	1	91	967
08:00 AM	23	74	10	0	107	35	1	11	1	48	65	47	37	0	149	9	0	14	0	23	327
08:15 AM	13	60	14	0	87	33	0	5	0	38	48	26	45	0	119	3	2	16	0	21	265
08:30 AM	10	54	6	0	70	27	1	8	0	36	33	19	37	0	89	4	1	18	0	23	218
08:45 AM	14	50	4	0	68	29	0	6	0	35	39	35	38	0	112	3	4	13	0	20	235
Total	60	238	34	0	332	124	2	30	1	157	185	127	157	0	469	19	7	61	0	87	1045
09:00 AM	8	49	7	0	64	32	4	2	0	38	33	28	39	1	101	3	1	11	0	15	218

ALLIANT ENGINEERING, INC.

733 S Marquette Ave #700, Minneapolis, MN 55402

Xenia Ave & Golden Hills Dr
 City: Golden Valley
 data by: Alliant Engineering, Inc.
 TURN MOVEMENT COUNT

File Name : Xenia Ave & Golden Hills Dr_2021
 Site Code : 1735820
 Start Date : 11/10/2021
 Page No : 2

Groups Printed- Cars - Trucks

Start Time	Xenia Ave Southbound					Golden Hills Dr Westbound					Xenia Ave Northbound					Golden Hills Dr Eastbound					Int. Total
	Left	Thru	Right	Peds	App. Total	Left	Thru	Right	Peds	App. Total	Left	Thru	Right	Peds	App. Total	Left	Thru	Right	Peds	App. Total	
09:15 AM	9	82	4	0	95	31	3	11	1	46	27	35	31	0	93	7	2	16	0	25	259
09:30 AM	5	53	7	1	66	23	2	7	0	32	21	35	22	0	78	5	1	21	0	27	203
09:45 AM	1	48	1	0	50	22	0	1	1	24	17	23	23	0	63	4	2	27	0	33	170
Total	23	232	19	1	275	108	9	21	2	140	98	121	115	1	335	19	6	75	0	100	850
10:00 AM	4	42	3	0	49	33	2	8	0	43	14	25	17	0	56	5	2	15	0	22	170
10:15 AM	4	36	3	0	43	36	3	4	1	44	18	33	19	0	70	3	2	10	0	15	172
10:30 AM	4	43	4	0	51	28	1	2	1	32	16	27	15	0	58	5	2	18	0	25	166
10:45 AM	5	45	5	0	55	29	2	7	0	38	16	33	27	0	76	2	0	22	0	24	193
Total	17	166	15	0	198	126	8	21	2	157	64	118	78	0	260	15	6	65	0	86	701
11:00 AM	8	46	4	0	58	25	2	10	1	38	23	33	28	0	84	5	1	26	0	32	212
11:15 AM	8	57	6	0	71	44	0	5	0	49	30	42	28	1	101	9	3	24	0	36	257
11:30 AM	9	47	5	0	61	29	2	12	1	44	33	37	25	1	96	7	2	26	0	35	236
11:45 AM	11	49	5	0	65	38	4	16	1	59	34	46	35	0	115	11	3	33	1	48	287
Total	36	199	20	0	255	136	8	43	3	190	120	158	116	2	396	32	9	109	1	151	992
12:00 PM	4	49	3	0	56	40	10	15	1	66	34	36	36	2	108	11	6	38	1	56	286
12:15 PM	6	53	6	0	65	45	3	13	0	61	52	41	32	0	125	5	9	29	0	43	294
12:30 PM	7	45	0	1	53	39	3	9	2	53	42	39	38	0	119	4	3	29	0	36	261
12:45 PM	11	65	4	0	80	24	3	12	1	40	35	63	27	1	126	6	3	35	0	44	290
Total	28	212	13	1	254	148	19	49	4	220	163	179	133	3	478	26	21	131	1	179	1131
01:00 PM	2	50	3	0	55	30	2	5	1	38	30	45	24	1	100	5	1	30	0	36	229
01:15 PM	5	40	2	0	47	31	0	6	2	39	23	40	23	1	87	5	6	32	0	43	216
01:30 PM	5	44	2	0	51	41	2	5	0	48	23	49	21	0	93	7	1	20	0	28	220
01:45 PM	6	56	3	0	65	24	2	9	1	36	26	39	27	0	92	2	0	26	0	28	221
Total	18	190	10	0	218	126	6	25	4	161	102	173	95	2	372	19	8	108	0	135	886
02:00 PM	6	38	3	1	48	33	2	10	3	48	25	33	19	1	78	6	1	26	1	34	208
02:15 PM	5	42	3	0	50	28	2	8	0	38	17	55	24	1	97	6	3	24	0	33	218
02:30 PM	4	67	3	0	74	27	0	6	0	33	23	54	22	0	99	8	4	28	0	40	246
02:45 PM	8	49	5	1	63	39	0	11	1	51	18	46	30	0	94	11	3	24	0	38	246
Total	23	196	14	2	235	127	4	35	4	170	83	188	95	2	368	31	11	102	1	145	918
03:00 PM	8	64	3	0	75	33	3	6	0	42	16	52	52	0	120	11	2	31	2	46	283
03:15 PM	7	58	2	0	67	36	3	12	0	51	21	55	38	0	114	7	0	32	0	39	271
03:30 PM	3	94	9	0	106	32	2	10	0	44	13	56	24	0	93	12	1	30	0	43	286
03:45 PM	6	61	3	0	70	38	0	9	0	47	22	68	38	0	128	4	1	19	0	24	269
Total	24	277	17	0	318	139	8	37	0	184	72	231	152	0	455	34	4	112	2	152	1109
04:00 PM	7	80	2	0	89	63	7	23	2	95	21	62	28	1	112	8	1	40	0	49	345
04:15 PM	10	56	4	0	70	70	4	26	1	101	25	49	31	0	105	8	1	42	0	51	327
04:30 PM	7	54	4	0	65	65	4	25	0	94	31	59	36	0	126	25	3	45	0	73	358
04:45 PM	13	49	7	0	69	65	5	27	3	100	18	56	26	0	100	14	3	28	0	45	314
Total	37	239	17	0	293	263	20	101	6	390	95	226	121	1	443	55	8	155	0	218	1344
05:00 PM	7	61	4	0	72	78	1	27	0	106	23	67	48	0	138	25	3	46	0	74	390
05:15 PM	10	66	5	0	81	45	3	19	1	68	21	72	29	0	122	10	2	20	0	32	303
05:30 PM	4	55	3	0	62	53	3	15	0	71	11	50	36	0	97	11	2	30	0	43	273
05:45 PM	4	68	2	0	74	68	1	16	0	85	17	41	31	0	89	10	3	22	0	35	283
Total	25	250	14	0	289	244	8	77	1	330	72	230	144	0	446	56	10	118	0	184	1249
06:00 PM	7	45	2	0	54	53	1	14	0	68	15	50	30	0	95	4	2	27	0	33	250
06:15 PM	5	35	1	0	41	27	3	11	0	41	19	48	26	1	94	6	1	15	0	22	198
06:30 PM	3	37	1	0	41	35	1	6	0	42	7	38	30	0	75	7	1	20	0	28	186
06:45 PM	3	28	1	0	32	22	3	3	0	28	13	33	27	0	73	5	0	13	0	18	151
Total	18	145	5	0	168	137	8	34	0	179	54	169	113	1	337	22	4	75	0	101	785

ALLIANT ENGINEERING, INC.

733 S Marquette Ave #700, Minneapolis, MN 55402

Xenia Ave & Golden Hills Dr
 City: Golden Valley
 data by: Alliant Engineering, Inc.
 TURN MOVEMENT COUNT

File Name : Xenia Ave & Golden Hills Dr_2021
 Site Code : 1735820
 Start Date : 11/10/2021
 Page No : 3

Groups Printed- Cars - Trucks

Start Time	Xenia Ave Southbound					Golden Hills Dr Westbound					Xenia Ave Northbound					Golden Hills Dr Eastbound					Int. Total
	Left	Thru	Right	Peds	App. Total	Left	Thru	Right	Peds	App. Total	Left	Thru	Right	Peds	App. Total	Left	Thru	Right	Peds	App. Total	
07:00 PM	5	14	0	0	19	24	1	2	0	27	15	29	20	0	64	2	2	20	0	24	134
07:15 PM	1	23	6	0	30	26	1	4	0	31	15	30	21	0	66	2	1	12	0	15	142
07:30 PM	1	11	2	0	14	14	0	1	0	15	9	23	21	0	53	2	2	14	0	18	100
07:45 PM	3	14	3	0	20	15	1	4	0	20	7	22	17	0	46	4	1	7	0	12	98
Total	10	62	11	0	83	79	3	11	0	93	46	104	79	0	229	10	6	53	0	69	474
08:00 PM	2	16	2	0	20	10	0	3	0	13	12	26	17	0	55	2	0	8	0	10	98
08:15 PM	1	19	1	0	21	10	1	6	0	17	10	23	15	0	48	3	0	10	0	13	99
08:30 PM	3	15	0	0	18	14	2	3	0	19	8	14	16	0	38	1	0	6	0	7	82
08:45 PM	5	15	1	0	21	8	1	2	0	11	9	8	20	0	37	2	1	10	0	13	82
Total	11	65	4	0	80	42	4	14	0	60	39	71	68	0	178	8	1	34	0	43	361
09:00 PM	5	11	0	0	16	5	1	1	0	7	9	17	11	0	37	4	1	12	0	17	77
09:15 PM	1	13	1	0	15	5	0	1	0	6	10	14	10	0	34	0	2	7	0	9	64
09:30 PM	1	6	1	0	8	6	0	2	0	8	3	5	15	0	23	1	0	6	1	8	47
09:45 PM	2	8	3	0	13	4	0	3	0	7	4	5	15	0	24	0	0	3	0	3	47
Total	9	38	5	0	52	20	1	7	0	28	26	41	51	0	118	5	3	28	1	37	235
10:00 PM	2	4	0	0	6	7	0	2	0	9	3	10	10	0	23	1	3	7	0	11	49
10:15 PM	0	6	2	0	8	3	2	0	0	5	9	9	7	0	25	2	1	4	0	7	45
10:30 PM	2	8	0	0	10	7	0	1	0	8	8	7	1	0	16	5	0	10	0	15	49
10:45 PM	1	5	1	0	7	3	0	1	0	4	6	1	8	0	15	1	1	5	0	7	33
Total	5	23	3	0	31	20	2	4	0	26	26	27	26	0	79	9	5	26	0	40	176
11:00 PM	0	7	0	0	7	4	0	0	0	4	5	6	4	0	15	2	0	9	0	11	37
11:15 PM	0	4	0	0	4	0	0	0	0	0	7	1	8	0	16	0	0	3	0	3	23
11:30 PM	0	2	1	0	3	4	0	0	0	4	4	2	3	0	9	2	0	3	0	5	21
11:45 PM	1	0	1	0	2	0	1	0	0	1	5	3	3	0	11	2	0	2	0	4	18
Total	1	13	2	0	16	8	1	0	0	9	21	12	18	0	51	6	0	17	0	23	99
Grand Total	407	2887	284	4	3582	2058	121	553	27	2759	1565	2352	1732	16	5665	397	119	1375	7	1898	13904
Apprch %	11.4	80.6	7.9	0.1		74.6	4.4	20	1		27.6	41.5	30.6	0.3		20.9	6.3	72.4	0.4		
Total %	2.9	20.8	2	0	25.8	14.8	0.9	4	0.2	19.8	11.3	16.9	12.5	0.1	40.7	2.9	0.9	9.9	0.1	13.7	
Cars	393	2816	272	4	3485	2032	116	537	27	2712	1530	2305	1708	15	5558	385	114	1353	4	1856	13611
% Cars	96.6	97.5	95.8	100	97.3	98.7	95.9	97.1	100	98.3	97.8	98	98.6	93.8	98.1	97	95.8	98.4	57.1	97.8	97.9
Trucks	14	71	12	0	97	26	5	16	0	47	35	47	24	1	107	12	5	22	3	42	293
% Trucks	3.4	2.5	4.2	0	2.7	1.3	4.1	2.9	0	1.7	2.2	2	1.4	6.2	1.9	3	4.2	1.6	42.9	2.2	2.1

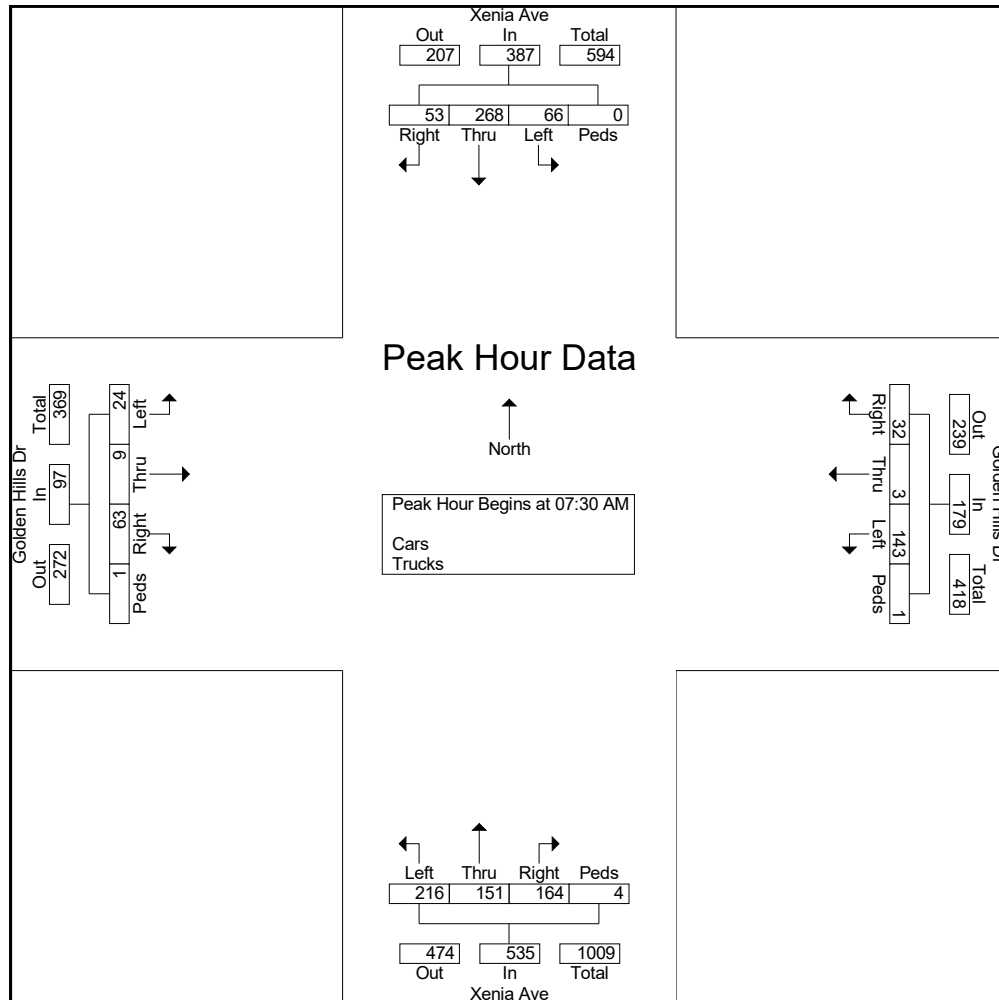
ALLIANT ENGINEERING, INC.

733 S Marquette Ave #700, Minneapolis, MN 55402

Xenia Ave & Golden Hills Dr
 City: Golden Valley
 data by: Alliant Engineering, Inc.
 TURN MOVEMENT COUNT

File Name : Xenia Ave & Golden Hills Dr_2021
 Site Code : 1735820
 Start Date : 11/10/2021
 Page No : 4

Start Time	Xenia Ave Southbound					Golden Hills Dr Westbound					Xenia Ave Northbound					Golden Hills Dr Eastbound					Int. Total
	Left	Thru	Right	Peds	App. Total	Left	Thru	Right	Peds	App. Total	Left	Thru	Right	Peds	App. Total	Left	Thru	Right	Peds	App. Total	
Peak Hour Analysis From 12:00 AM to 09:45 AM - Peak 1 of 1																					
Peak Hour for Entire Intersection Begins at 07:30 AM																					
07:30 AM	11	63	15	0	89	38	1	8	0	47	45	30	25	1	101	3	2	20	0	25	262
07:45 AM	19	71	14	0	104	37	1	8	0	46	58	48	57	3	166	9	5	13	1	28	344
08:00 AM	23	74	10	0	107	35	1	11	1	48	65	47	37	0	149	9	0	14	0	23	327
08:15 AM	13	60	14	0	87	33	0	5	0	38	48	26	45	0	119	3	2	16	0	21	265
Total Volume	66	268	53	0	387	143	3	32	1	179	216	151	164	4	535	24	9	63	1	97	1198
% App. Total	17.1	69.3	13.7	0		79.9	1.7	17.9	0.6		40.4	28.2	30.7	0.7		24.7	9.3	64.9	1		
PHF	.717	.905	.883	.000	.904	.941	.750	.727	.250	.932	.831	.786	.719	.333	.806	.667	.450	.788	.250	.866	.871



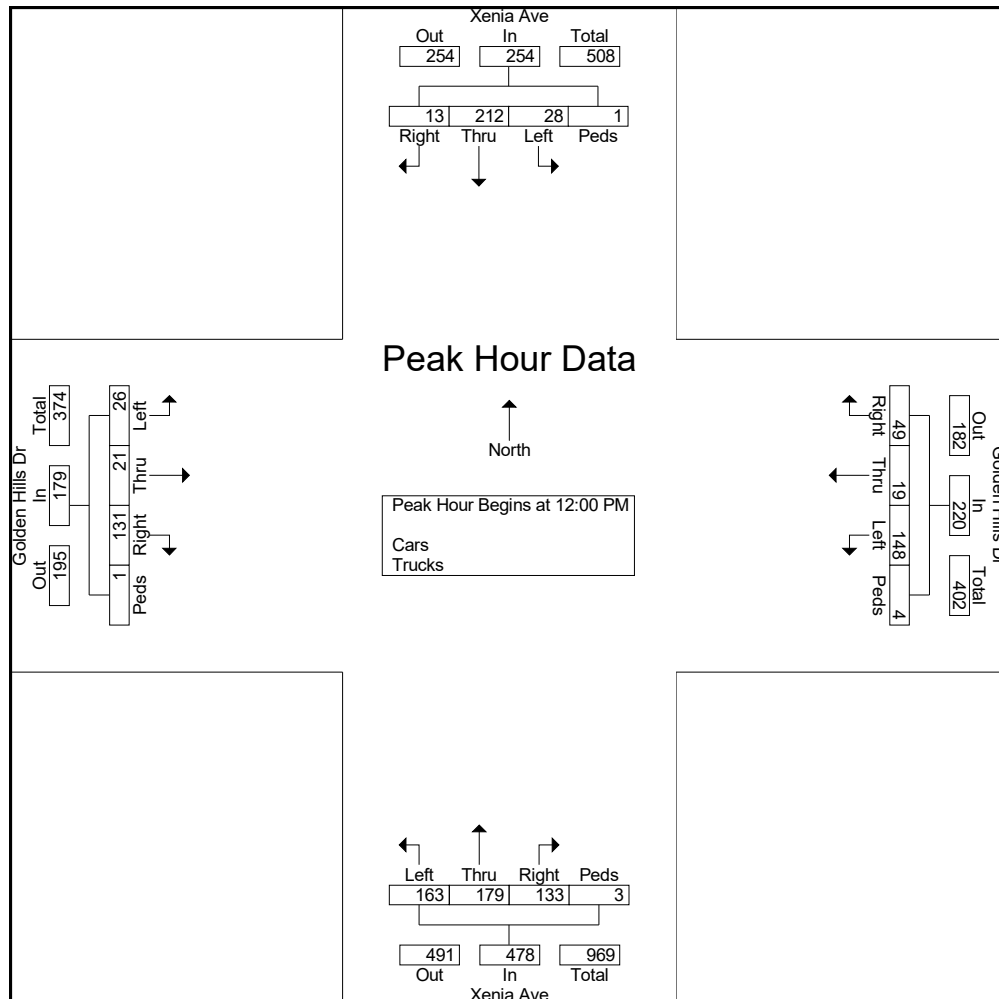
ALLIANT ENGINEERING, INC.

733 S Marquette Ave #700, Minneapolis, MN 55402

Xenia Ave & Golden Hills Dr
 City: Golden Valley
 data by: Alliant Engineering, Inc.
 TURN MOVEMENT COUNT

File Name : Xenia Ave & Golden Hills Dr_2021
 Site Code : 1735820
 Start Date : 11/10/2021
 Page No : 5

Start Time	Xenia Ave Southbound					Golden Hills Dr Westbound					Xenia Ave Northbound					Golden Hills Dr Eastbound					Int. Total
	Left	Thru	Right	Peds	App. Total	Left	Thru	Right	Peds	App. Total	Left	Thru	Right	Peds	App. Total	Left	Thru	Right	Peds	App. Total	
Peak Hour Analysis From 10:00 AM to 01:45 PM - Peak 1 of 1																					
Peak Hour for Entire Intersection Begins at 12:00 PM																					
12:00 PM	4	49	3	0	56	40	10	15	1	66	34	36	36	2	108	11	6	38	1	56	286
12:15 PM	6	53	6	0	65	45	3	13	0	61	52	41	32	0	125	5	9	29	0	43	294
12:30 PM	7	45	0	1	53	39	3	9	2	53	42	39	38	0	119	4	3	29	0	36	261
12:45 PM	11	65	4	0	80	24	3	12	1	40	35	63	27	1	126	6	3	35	0	44	290
Total Volume	28	212	13	1	254	148	19	49	4	220	163	179	133	3	478	26	21	131	1	179	1131
% App. Total	11	83.5	5.1	0.4		67.3	8.6	22.3	1.8		34.1	37.4	27.8	0.6		14.5	11.7	73.2	0.6		
PHF	.636	.815	.542	.250	.794	.822	.475	.817	.500	.833	.784	.710	.875	.375	.948	.591	.583	.862	.250	.799	.962



ALLIANT ENGINEERING, INC.

733 S Marquette Ave #700, Minneapolis, MN 55402

Xenia Ave & Golden Hills Dr
 City: Golden Valley
 data by: Alliant Engineering, Inc.
 TURN MOVEMENT COUNT

File Name : Xenia Ave & Golden Hills Dr_2021
 Site Code : 1735820
 Start Date : 11/10/2021
 Page No : 6

Start Time	Xenia Ave Southbound					Golden Hills Dr Westbound					Xenia Ave Northbound					Golden Hills Dr Eastbound					Int. Total
	Left	Thru	Right	Peds	App. Total	Left	Thru	Right	Peds	App. Total	Left	Thru	Right	Peds	App. Total	Left	Thru	Right	Peds	App. Total	
Peak Hour Analysis From 02:00 PM to 11:45 PM - Peak 1 of 1																					
Peak Hour for Entire Intersection Begins at 04:15 PM																					
04:15 PM	10	56	4	0	70	70	4	26	1	101	25	49	31	0	105	8	1	42	0	51	327
04:30 PM	7	54	4	0	65	65	4	25	0	94	31	59	36	0	126	25	3	45	0	73	358
04:45 PM	13	49	7	0	69	65	5	27	3	100	18	56	26	0	100	14	3	28	0	45	314
05:00 PM	7	61	4	0	72	78	1	27	0	106	23	67	48	0	138	25	3	46	0	74	390
Total Volume	37	220	19	0	276	278	14	105	4	401	97	231	141	0	469	72	10	161	0	243	1389
% App. Total	13.4	79.7	6.9	0		69.3	3.5	26.2	1		20.7	49.3	30.1	0		29.6	4.1	66.3	0		
PHF	.712	.902	.679	.000	.958	.891	.700	.972	.333	.946	.782	.862	.734	.000	.850	.720	.833	.875	.000	.821	.890

