

# Alliant Engineering, Inc.

733 Marquette Ave #700, Minneapolis, MN 55402

Prairie Center Dr & W 78th St  
 Ref Pt:  
 data by: Alliant Inc  
 TURN MOVEMENT COUNT

File Name : 17\_EP\_Prairie Center Dr at W 78th St  
 Site Code :  
 Start Date : 12/8/2020  
 Page No : 1

Groups Printed- Cars - Trucks

Start Time	Prairie Center Dr Southbound					W 78th St Westbound					Prairie Center Dr Northbound					W 78th St Eastbound					Int. Total
	Right	Thru	Left	Peds	App. Total	Right	Thru	Left	Peds	App. Total	Right	Thru	Left	Peds	App. Total	Right	Thru	Left	Peds	App. Total	
06:00 AM	10	30	0	0	40	1	2	1	0	4	3	13	2	0	18	2	0	5	1	8	70
06:15 AM	13	20	2	0	35	0	1	0	0	1	0	33	4	0	37	2	1	4	1	8	81
06:30 AM	7	24	1	0	32	0	5	1	0	6	5	39	3	0	47	2	3	4	0	9	94
06:45 AM	22	45	0	0	67	0	2	4	0	6	5	48	2	0	55	5	2	7	0	14	142
Total	52	119	3	0	174	1	10	6	0	17	13	133	11	0	157	11	6	20	2	39	387
07:00 AM	15	37	2	0	54	1	6	4	0	11	5	30	4	1	40	5	3	14	0	22	127
07:15 AM	18	29	2	0	49	0	4	2	0	6	5	60	5	0	70	5	3	5	0	13	138
07:30 AM	11	47	9	0	67	0	7	1	1	9	8	70	6	0	84	2	6	7	0	15	175
07:45 AM	19	53	16	0	88	2	1	2	0	5	16	77	6	0	99	3	7	10	0	20	212
Total	63	166	29	0	258	3	18	9	1	31	34	237	21	1	293	15	19	36	0	70	652
08:00 AM	22	58	23	1	104	0	8	6	1	15	12	66	6	0	84	4	8	8	0	20	223
08:15 AM	23	58	10	0	91	2	5	4	0	11	6	68	6	0	80	7	11	11	0	29	211
08:30 AM	19	51	9	0	79	1	6	1	0	8	13	68	5	0	86	4	10	0	0	14	187
08:45 AM	19	70	7	0	96	4	10	10	0	24	2	49	7	0	58	5	2	7	0	14	192
Total	83	237	49	1	370	7	29	21	1	58	33	251	24	0	308	20	31	26	0	77	813
09:00 AM	42	78	7	0	127	3	8	5	0	16	6	50	5	0	61	9	7	15	0	31	235
09:15 AM	22	53	4	0	79	4	9	8	0	21	11	49	4	0	64	4	7	19	0	30	194
*** BREAK ***																					
Total	64	131	11	0	206	7	17	13	0	37	17	99	9	0	125	13	14	34	0	61	429
*** BREAK ***																					
10:30 AM	44	83	4	0	131	3	15	9	0	27	2	72	14	0	88	20	3	22	0	45	291
10:45 AM	54	95	5	0	154	5	13	13	0	31	10	75	16	0	101	16	1	18	0	35	321
Total	98	178	9	0	285	8	28	22	0	58	12	147	30	0	189	36	4	40	0	80	612
11:00 AM	48	90	3	1	142	1	23	14	0	38	8	65	15	0	88	10	11	27	0	48	316
11:15 AM	49	106	7	0	162	0	19	9	0	28	5	69	11	0	85	16	12	24	0	52	327
11:30 AM	42	118	2	0	162	4	21	25	0	50	11	82	15	0	108	18	12	31	0	61	381
11:45 AM	53	129	3	0	185	6	16	15	0	37	15	93	11	0	119	11	14	32	0	57	398
Total	192	443	15	1	651	11	79	63	0	153	39	309	52	0	400	55	49	114	0	218	1422
12:00 PM	69	138	1	0	208	11	25	20	0	56	12	115	15	0	142	19	18	29	0	66	472
12:15 PM	59	121	4	0	184	9	29	17	0	55	14	109	15	0	138	19	17	41	0	77	454
12:30 PM	44	123	5	2	174	2	21	14	1	38	16	127	19	0	162	19	21	35	1	76	450
12:45 PM	43	111	12	0	166	4	21	12	0	37	13	112	22	0	147	27	18	31	0	76	426
Total	215	493	22	2	732	26	96	63	1	186	55	463	71	0	589	84	74	136	1	295	1802
01:00 PM	55	119	7	4	185	2	11	15	1	29	16	135	23	0	174	15	16	30	1	62	450
01:15 PM	42	101	5	1	149	6	21	15	1	43	12	115	17	0	144	17	21	35	0	73	409
*** BREAK ***																					
Total	97	220	12	5	334	8	32	30	2	72	28	250	40	0	318	32	37	65	1	135	859
*** BREAK ***																					
02:30 PM	47	95	3	0	145	3	12	4	0	19	4	106	18	0	128	20	13	38	1	72	364
02:45 PM	44	103	3	0	150	3	10	13	0	26	4	90	17	0	111	13	9	31	1	54	341
Total	91	198	6	0	295	6	22	17	0	45	8	196	35	0	239	33	22	69	2	126	705
03:00 PM	28	58	2	0	88	1	5	11	0	17	3	64	5	0	72	12	6	24	0	42	219
*** BREAK ***																					
03:30 PM	23	48	0	0	71	1	1	4	0	6	4	47	5	0	56	10	2	10	0	22	155
03:45 PM	54	128	2	0	184	3	13	15	0	31	11	87	13	0	111	25	9	30	0	64	390
Total	105	234	4	0	343	5	19	30	0	54	18	198	23	0	239	47	17	64	0	128	764
04:00 PM	57	127	5	0	189	2	15	15	0	32	9	105	23	0	137	27	15	20	2	64	422

# Alliant Engineering, Inc.

733 Marquette Ave #700, Minneapolis, MN 55402

Prairie Center Dr & W 78th St  
 Ref Pt:  
 data by: Alliant Inc  
 TURN MOVEMENT COUNT

File Name : 17\_EP\_Prairie Center Dr at W 78th St  
 Site Code :  
 Start Date : 12/8/2020  
 Page No : 2

Groups Printed- Cars - Trucks

Start Time	Prairie Center Dr Southbound					W 78th St Westbound					Prairie Center Dr Northbound					W 78th St Eastbound					Int. Total
	Right	Thru	Left	Peds	App. Total	Right	Thru	Left	Peds	App. Total	Right	Thru	Left	Peds	App. Total	Right	Thru	Left	Peds	App. Total	
04:15 PM	56	107	3	0	166	4	15	15	0	34	8	123	23	0	154	26	6	42	0	74	428
04:30 PM	60	128	4	0	192	7	16	13	0	36	6	98	18	0	122	18	7	37	2	64	414
04:45 PM	74	120	2	0	196	7	22	18	0	47	10	99	22	0	131	31	8	35	0	74	448
Total	247	482	14	0	743	20	68	61	0	149	33	425	86	0	544	102	36	134	4	276	1712
05:00 PM	51	144	3	0	198	19	16	19	0	54	9	102	14	0	125	22	10	30	1	63	440
05:15 PM	57	120	3	0	180	22	23	29	0	74	8	141	13	0	162	34	22	42	0	98	514
05:30 PM	50	110	1	0	161	12	18	14	0	44	5	83	31	0	119	33	11	41	0	85	409
05:45 PM	44	112	0	0	156	10	13	9	0	32	4	77	35	1	117	38	8	38	0	84	389
Total	202	486	7	0	695	63	70	71	0	204	26	403	93	1	523	127	51	151	1	330	1752
Grand Total	1509	3387	181	9	5086	165	488	406	5	1064	316	3111	495	2	3924	575	360	889	11	1835	11909
Apprch %	29.7	66.6	3.6	0.2		15.5	45.9	38.2	0.5		8.1	79.3	12.6	0.1		31.3	19.6	48.4	0.6		
Total %	12.7	28.4	1.5	0.1	42.7	1.4	4.1	3.4	0	8.9	2.7	26.1	4.2	0	32.9	4.8	3	7.5	0.1	15.4	
Cars	1482	3334	177	9	5002	160	484	401	5	1050	307	3050	489	2	3848	570	358	882	9	1819	11719
% Cars	98.2	98.4	97.8	100	98.3	97	99.2	98.8	100	98.7	97.2	98	98.8	100	98.1	99.1	99.4	99.2	81.8	99.1	98.4
Trucks	27	53	4	0	84	5	4	5	0	14	9	61	6	0	76	5	2	7	2	16	190
% Trucks	1.8	1.6	2.2	0	1.7	3	0.8	1.2	0	1.3	2.8	2	1.2	0	1.9	0.9	0.6	0.8	18.2	0.9	1.6

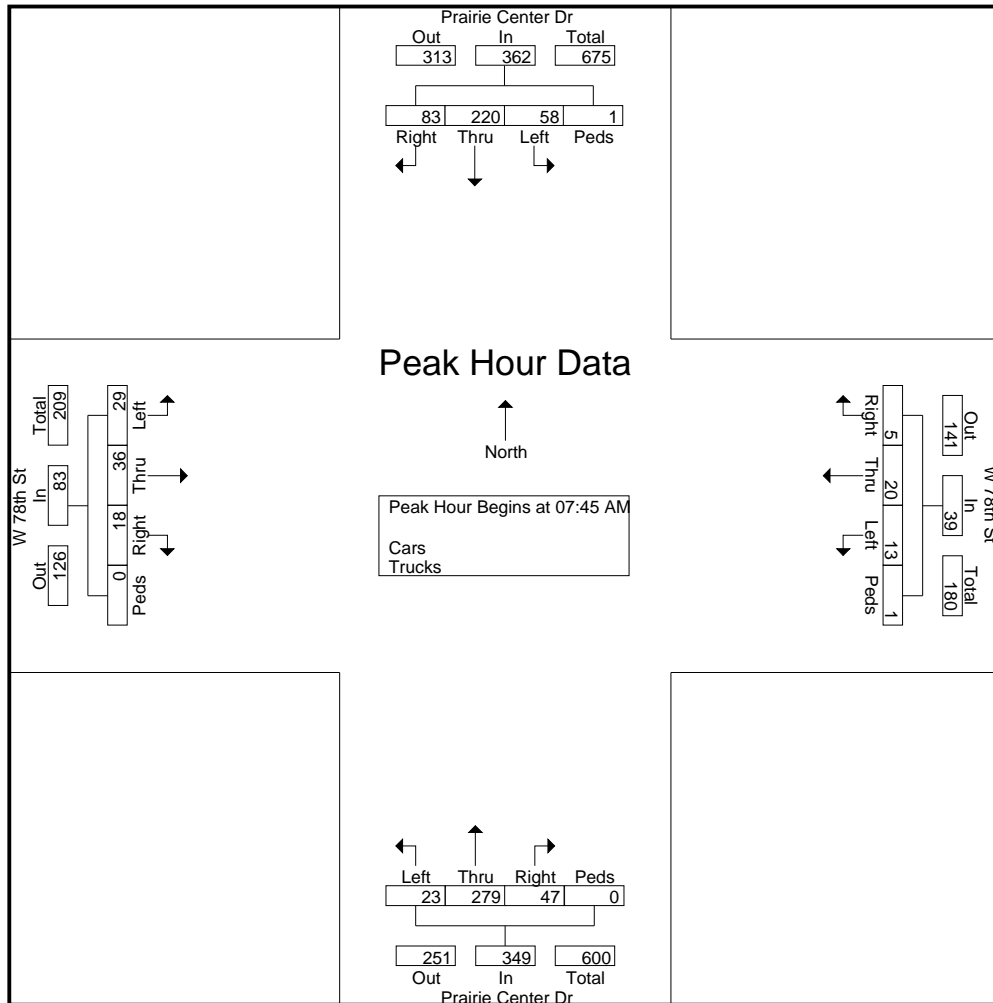
# Alliant Engineering, Inc.

733 Marquette Ave #700, Minneapolis, MN 55402

Prairie Center Dr & W 78th St  
 Ref Pt:  
 data by: Alliant Inc  
 TURN MOVEMENT COUNT

File Name : 17\_EP\_Prairie Center Dr at W 78th St  
 Site Code :  
 Start Date : 12/8/2020  
 Page No : 3

Start Time	Prairie Center Dr Southbound					W 78th St Westbound					Prairie Center Dr Northbound					W 78th St Eastbound					Int. Total
	Right	Thru	Left	Peds	App. Total	Right	Thru	Left	Peds	App. Total	Right	Thru	Left	Peds	App. Total	Right	Thru	Left	Peds	App. Total	
Peak Hour Analysis From 06:00 AM to 09:45 AM - Peak 1 of 1																					
Peak Hour for Entire Intersection Begins at 07:45 AM																					
07:45 AM	19	53	16	0	88	2	1	2	0	5	16	77	6	0	99	3	7	10	0	20	212
08:00 AM	22	58	23	1	104	0	8	6	1	15	12	66	6	0	84	4	8	8	0	20	223
08:15 AM	23	58	10	0	91	2	5	4	0	11	6	68	6	0	80	7	11	11	0	29	211
08:30 AM	19	51	9	0	79	1	6	1	0	8	13	68	5	0	86	4	10	0	0	14	187
Total Volume	83	220	58	1	362	5	20	13	1	39	47	279	23	0	349	18	36	29	0	83	833
% App. Total	22.9	60.8	16	0.3		12.8	51.3	33.3	2.6		13.5	79.9	6.6	0		21.7	43.4	34.9	0		
PHF	.902	.948	.630	.250	.870	.625	.625	.542	.250	.650	.734	.906	.958	.000	.881	.643	.818	.659	.000	.716	.934



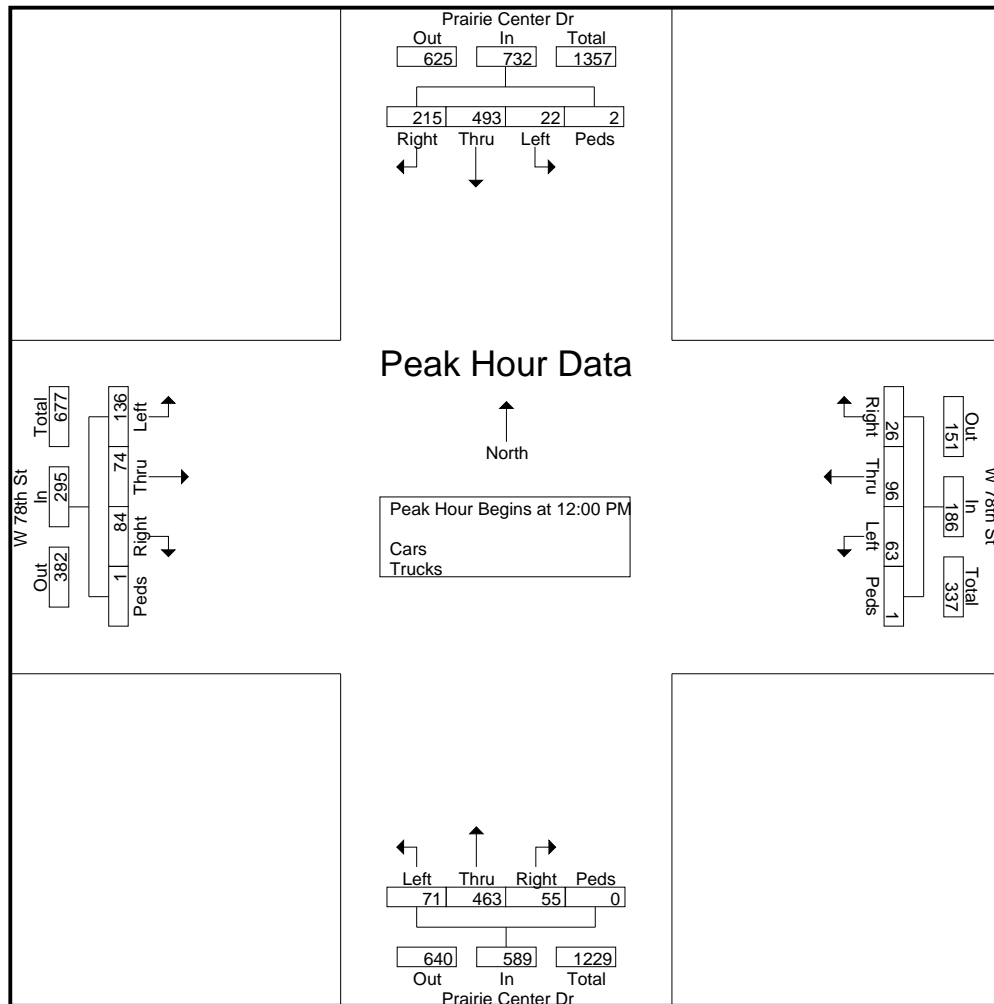
# Alliant Engineering, Inc.

733 Marquette Ave #700, Minneapolis, MN 55402

Prairie Center Dr & W 78th St  
 Ref Pt:  
 data by: Alliant Inc  
 TURN MOVEMENT COUNT

File Name : 17\_EP\_Prairie Center Dr at W 78th St  
 Site Code :  
 Start Date : 12/8/2020  
 Page No : 4

Start Time	Prairie Center Dr Southbound					W 78th St Westbound					Prairie Center Dr Northbound					W 78th St Eastbound					Int. Total
	Right	Thru	Left	Peds	App. Total	Right	Thru	Left	Peds	App. Total	Right	Thru	Left	Peds	App. Total	Right	Thru	Left	Peds	App. Total	
Peak Hour Analysis From 10:00 AM to 01:45 PM - Peak 1 of 1																					
Peak Hour for Entire Intersection Begins at 12:00 PM																					
12:00 PM	69	138	1	0	208	11	25	20	0	56	12	115	15	0	142	19	18	29	0	66	472
12:15 PM	59	121	4	0	184	9	29	17	0	55	14	109	15	0	138	19	17	41	0	77	454
12:30 PM	44	123	5	2	174	2	21	14	1	38	16	127	19	0	162	19	21	35	1	76	450
12:45 PM	43	111	12	0	166	4	21	12	0	37	13	112	22	0	147	27	18	31	0	76	426
Total Volume	215	493	22	2	732	26	96	63	1	186	55	463	71	0	589	84	74	136	1	295	1802
% App. Total	29.4	67.3	3	0.3		14	51.6	33.9	0.5		9.3	78.6	12.1	0		28.5	25.1	46.1	0.3		
PHF	.779	.893	.458	.250	.880	.591	.828	.788	.250	.830	.859	.911	.807	.000	.909	.778	.881	.829	.250	.958	.954



# Alliant Engineering, Inc.

733 Marquette Ave #700, Minneapolis, MN 55402

Prairie Center Dr & W 78th St  
 Ref Pt:  
 data by: Alliant Inc  
 TURN MOVEMENT COUNT

File Name : 17\_EP\_Prairie Center Dr at W 78th St  
 Site Code :  
 Start Date : 12/8/2020  
 Page No : 5

Start Time	Prairie Center Dr Southbound					W 78th St Westbound					Prairie Center Dr Northbound					W 78th St Eastbound					Int. Total
	Right	Thru	Left	Peds	App. Total	Right	Thru	Left	Peds	App. Total	Right	Thru	Left	Peds	App. Total	Right	Thru	Left	Peds	App. Total	
Peak Hour Analysis From 02:00 PM to 05:45 PM - Peak 1 of 1																					
Peak Hour for Entire Intersection Begins at 04:30 PM																					
04:30 PM	60	128	4	0	192	7	16	13	0	36	6	98	18	0	122	18	7	37	2	64	414
04:45 PM	74	120	2	0	196	7	22	18	0	47	10	99	22	0	131	31	8	35	0	74	448
05:00 PM	51	144	3	0	198	19	16	19	0	54	9	102	14	0	125	22	10	30	1	63	440
05:15 PM	57	120	3	0	180	22	23	29	0	74	8	141	13	0	162	34	22	42	0	98	514
Total Volume	242	512	12	0	766	55	77	79	0	211	33	440	67	0	540	105	47	144	3	299	1816
% App. Total	31.6	66.8	1.6	0		26.1	36.5	37.4	0		6.1	81.5	12.4	0		35.1	15.7	48.2	1		
PHF	.818	.889	.750	.000	.967	.625	.837	.681	.000	.713	.825	.780	.761	.000	.833	.772	.534	.857	.375	.763	.883

