

Alliant Engineering

Minneapolis, MN 55415

--TRAFFIC DATA --

TH-156 at Wentworth Ave.
 Ref.Pt.: 001.644
 data by Alliant Engineering
 TURN MOVEMENT COUNT

File Name : 502 - TH 156 and Wentworth Ave
 Site Code : 502
 Start Date : 4/14/2015
 Page No : 1

Groups Printed- Cars - Trucks

Start Time	TH-156 Southbound				n/a Westbound				TH-156 Northbound				Wentworth Ave. Eastbound				Int. Total
	Left	Thru	Rght	Bikes	Left	Thru	Rght	Bikes	Left	Thru	Rght	Bikes	Left	Thru	Rght	Bikes	
06:00	0	42	2	0	0	0	0	0	4	27	0	0	2	0	1	1	79
06:15	0	55	0	0	0	0	0	0	0	37	0	0	4	0	4	0	100
06:30	0	60	7	0	0	0	0	0	3	62	0	0	7	0	9	0	148
06:45	0	86	6	0	0	0	0	0	3	73	0	0	4	0	12	0	184
Total	0	243	15	0	0	0	0	0	10	199	0	0	17	0	26	1	511
07:00	0	69	8	0	0	0	0	0	5	83	0	0	9	0	3	0	177
07:15	0	72	8	0	0	0	0	0	6	78	0	0	7	0	4	0	175
07:30	0	68	12	0	0	0	0	0	7	113	0	1	16	0	6	0	223
07:45	0	77	31	0	0	0	0	0	4	116	0	0	25	0	7	0	260
Total	0	286	59	0	0	0	0	0	22	390	0	1	57	0	20	0	835
08:00	0	88	6	0	0	0	0	0	10	71	0	0	11	0	7	0	193
08:15	0	44	6	0	0	0	0	0	7	97	0	0	11	0	10	0	175
08:30	0	55	7	0	0	0	0	0	5	73	0	0	6	0	14	0	160
08:45	0	70	4	0	0	0	0	0	4	84	0	0	5	1	1	0	169
Total	0	257	23	0	0	0	0	0	26	325	0	0	33	1	32	0	697
09:00	0	57	3	0	0	0	0	0	2	62	0	0	7	0	5	0	136
09:15	0	56	2	0	0	0	0	0	7	57	0	0	4	0	5	0	131
*** BREAK ***																	
Total	0	113	5	0	0	0	0	0	9	119	0	0	11	0	10	0	267
*** BREAK ***																	
10:30	0	50	3	0	0	0	0	0	4	56	0	0	0	0	8	0	121
10:45	0	36	2	0	0	0	0	0	4	52	0	1	0	0	5	0	100
Total	0	86	5	0	0	0	0	0	8	108	0	1	0	0	13	0	221
11:00	0	56	4	0	0	0	0	0	4	66	0	0	1	0	5	0	136
11:15	0	60	1	0	0	0	0	0	2	60	0	0	1	0	8	0	132
11:30	0	66	1	0	0	0	0	0	5	77	0	0	6	0	4	0	159
11:45	0	58	2	0	0	0	0	0	2	69	0	0	3	0	6	0	140
Total	0	240	8	0	0	0	0	0	13	272	0	0	11	0	23	0	567
12:00	0	73	9	0	0	0	0	0	3	64	0	0	3	0	1	0	153
12:15	0	63	2	0	0	0	0	0	1	72	0	0	1	0	5	0	144
12:30	0	90	2	0	0	0	0	0	5	70	0	0	3	0	4	0	174
12:45	0	82	1	0	0	0	0	0	7	54	0	1	2	0	6	0	153
Total	0	308	14	0	0	0	0	0	16	260	0	1	9	0	16	0	624
13:00	0	85	3	0	0	0	0	0	3	65	0	0	5	0	4	0	165
13:15	0	64	2	0	0	0	0	0	1	66	0	0	0	0	5	0	138
13:30	0	0	0	0	0	0	0	0	1	44	0	0	2	0	1	0	48
*** BREAK ***																	
Total	0	149	5	0	0	0	0	0	5	175	0	0	7	0	10	0	351
*** BREAK ***																	
14:30	0	96	4	0	0	0	0	0	2	107	0	0	3	0	3	0	215
14:45	0	96	10	0	0	0	0	0	9	83	0	0	13	0	27	0	238
Total	0	192	14	0	0	0	0	0	11	190	0	0	16	0	30	0	453
15:00	0	89	12	0	0	0	0	0	16	102	0	0	6	0	3	0	228
15:15	0	90	3	0	0	0	0	0	6	100	0	0	11	0	15	0	225
15:30	0	102	3	0	0	0	0	0	11	109	0	0	3	0	13	0	241
15:45	0	90	10	0	0	0	0	0	8	122	0	0	2	0	5	0	237
Total	0	371	28	0	0	0	0	0	41	433	0	0	22	0	36	0	931
16:00	0	97	7	0	0	0	0	0	9	105	0	0	7	0	7	0	232
16:15	0	87	16	0	0	0	0	0	3	115	0	0	7	0	11	0	239

Alliant Engineering

Minneapolis, MN 55415

--TRAFFIC DATA --

TH-156 at Wentworth Ave.
 Ref.Pt.: 001.644
 data by Alliant Engineering
 TURN MOVEMENT COUNT

File Name : 502 - TH 156 and Wentworth Ave
 Site Code : 502
 Start Date : 4/14/2015
 Page No : 2

Groups Printed- Cars - Trucks

Start Time	TH-156 Southbound				n/a Westbound				TH-156 Northbound				Wentworth Ave. Eastbound				Int. Total
	Left	Thru	Rght	Bikes	Left	Thru	Rght	Bikes	Left	Thru	Rght	Bikes	Left	Thru	Rght	Bikes	
16:30	0	111	9	0	0	0	0	0	9	81	0	0	6	0	5	0	221
16:45	0	89	6	0	0	0	0	0	9	77	0	1	4	0	3	0	189
Total	0	384	38	0	0	0	0	0	30	378	0	1	24	0	26	0	881
17:00	0	112	13	0	0	0	0	0	8	101	0	1	5	0	7	0	247
17:15	0	113	4	0	0	0	0	0	8	82	0	0	3	0	4	0	214
17:30	0	119	9	0	0	0	0	0	8	80	0	0	5	0	8	0	229
17:45	0	87	7	0	0	0	0	0	8	72	0	1	4	0	1	0	180
Total	0	431	33	0	0	0	0	0	32	335	0	2	17	0	20	0	870
*** BREAK ***																	
Grand Total	0	3060	247	0	0	0	0	0	223	3184	0	6	224	1	262	1	7208
Apprch %	0	92.5	7.5	0	0	0	0	0	6.5	93.3	0	0.2	45.9	0.2	53.7	0.2	
Total %	0	42.5	3.4	0	0	0	0	0	3.1	44.2	0	0.1	3.1	0	3.6	0	
Cars	0	2876	238	0	0	0	0	0	213	2990	0	5	216	1	257	0	6796
% Cars	0	94	96.4	0	0	0	0	0	95.5	93.9	0	83.3	96.4	100	98.1	0	94.3
Trucks	0	184	9	0	0	0	0	0	10	194	0	1	8	0	5	1	412
% Trucks	0	6	3.6	0	0	0	0	0	4.5	6.1	0	16.7	3.6	0	1.9	100	5.7

Alliant Engineering

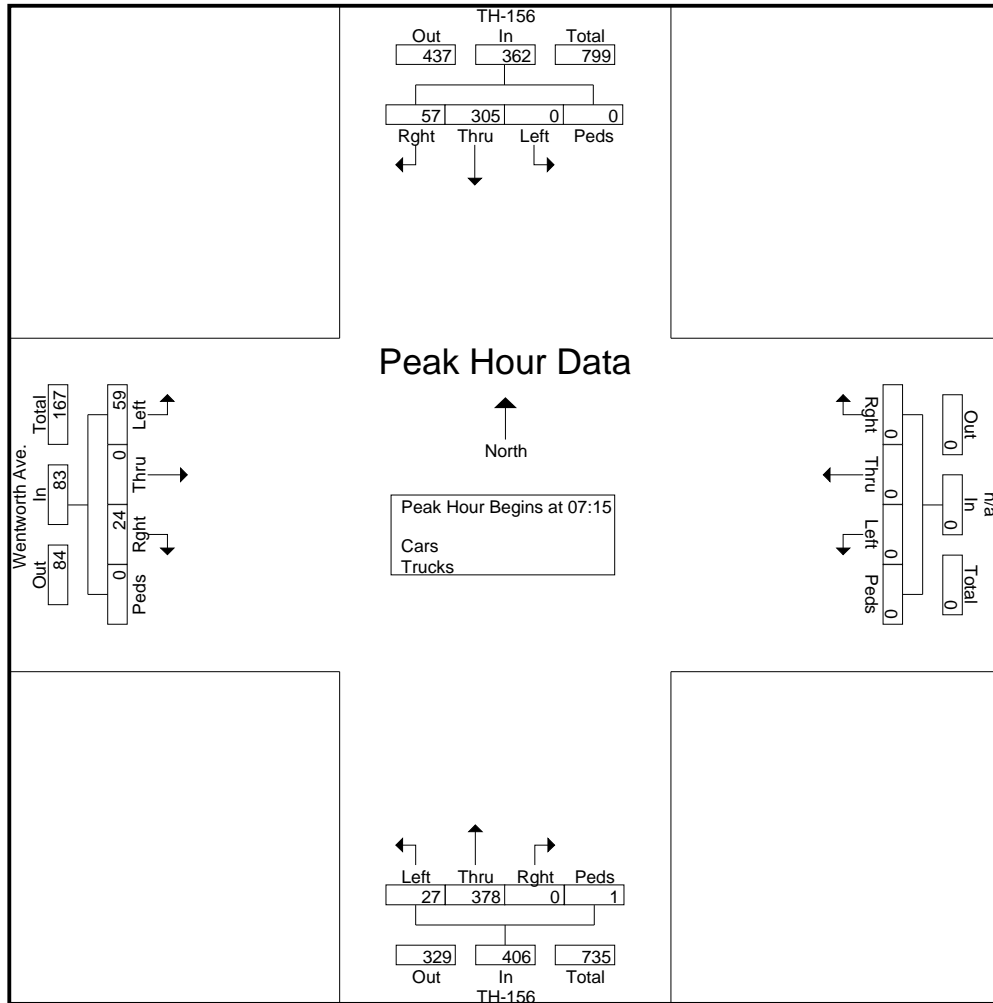
Minneapolis, MN 55415

--TRAFFIC DATA --

TH-156 at Wentworth Ave.
 Ref.Pt.: 001.644
 data by Alliant Engineering
 TURN MOVEMENT COUNT

File Name : 502 - TH 156 and Wentworth Ave
 Site Code : 502
 Start Date : 4/14/2015
 Page No : 3

Start Time	TH-156 Southbound					n/a Westbound					TH-156 Northbound					Wentworth Ave. Eastbound					Int. Total
	Left	Thru	Right	Bikes	App. Total	Left	Thru	Right	Bikes	App. Total	Left	Thru	Right	Bikes	App. Total	Left	Thru	Right	Bikes	App. Total	
Peak Hour Analysis From 06:00 to 11:45 - Peak 1 of 1																					
Peak Hour for Entire Intersection Begins at 07:15																					
07:15	0	72	8	0	80	0	0	0	0	0	6	78	0	0	84	7	0	4	0	11	175
07:30	0	68	12	0	80	0	0	0	0	0	7	113	0	1	121	16	0	6	0	22	223
07:45	0	77	31	0	108	0	0	0	0	0	4	116	0	0	120	25	0	7	0	32	260
08:00	0	88	6	0	94	0	0	0	0	0	10	71	0	0	81	11	0	7	0	18	193
Total Volume	0	305	57	0	362	0	0	0	0	0	27	378	0	1	406	59	0	24	0	83	851
% App. Total	0	84.3	15.7	0		0	0	0	0	0	6.7	93.1	0	0.2		71.1	0	28.9	0		
PHF	.000	.866	.460	.000	.838	.000	.000	.000	.000	.000	.675	.815	.000	.250	.839	.590	.000	.857	.000	.648	.818



Alliant Engineering

Minneapolis, MN 55415

--TRAFFIC DATA --

TH-156 at Wentworth Ave.
 Ref.Pt.: 001.644
 data by Alliant Engineering
 TURN MOVEMENT COUNT

File Name : 502 - TH 156 and Wentworth Ave
 Site Code : 502
 Start Date : 4/14/2015
 Page No : 4

Start Time	TH-156 Southbound					n/a Westbound					TH-156 Northbound					Wentworth Ave. Eastbound					Int. Total
	Left	Thru	Rght	Bikes	App. Total	Left	Thru	Rght	Bikes	App. Total	Left	Thru	Rght	Bikes	App. Total	Left	Thru	Rght	Bikes	App. Total	
Peak Hour Analysis From 12:00 to 18:00 - Peak 1 of 1																					
Peak Hour for Entire Intersection Begins at 15:30																					
15:30	0	102	3	0	105	0	0	0	0	0	11	109	0	0	120	3	0	13	0	16	241
15:45	0	90	10	0	100	0	0	0	0	0	8	122	0	0	130	2	0	5	0	7	237
16:00	0	97	7	0	104	0	0	0	0	0	9	105	0	0	114	7	0	7	0	14	232
16:15	0	87	16	0	103	0	0	0	0	0	3	115	0	0	118	7	0	11	0	18	239
Total Volume	0	376	36	0	412	0	0	0	0	0	31	451	0	0	482	19	0	36	0	55	949
% App. Total	0	91.3	8.7	0		0	0	0	0		6.4	93.6	0	0		34.5	0	65.5	0		
PHF	.000	.922	.563	.000	.981	.000	.000	.000	.000	.000	.705	.924	.000	.000	.927	.679	.000	.692	.000	.764	.984

