

MN Dept of Transportation

TRAFFIC DATA COLLECTION - Metro

TH-120 at Harvester Ave / 15th St N
 Ref.Pt.: 003.702
 video AL
 TURN MOVEMENT COUNT

File Name : TH-120 at Harvester Ave 2016
 Site Code :
 Start Date : 4/13/2016
 Page No : 1

Groups Printed- Cars +

Start Time	TH-120 / Century Ave Southbound				15th St N Westbound				TH-120 / Century Ave Northbound				Harvester Ave Eastbound				Int. Total
	Left	Thru	Right	Peds	Left	Thru	Right	Peds	Left	Thru	Right	Peds	Left	Thru	Right	Peds	
06:00	0	40	1	0	0	0	1	0	1	34	0	0	10	2	4	0	93
06:15	1	39	2	0	0	1	2	0	8	71	0	0	18	1	10	0	153
06:30	1	47	10	0	0	2	2	0	22	79	0	0	23	1	13	0	200
06:45	1	56	10	0	1	4	7	0	19	111	0	0	46	4	17	0	276
Total	3	182	23	0	1	7	12	0	50	295	0	0	97	8	44	0	722
07:00	0	60	3	0	0	1	5	0	21	115	1	0	37	3	23	0	269
07:15	3	77	16	0	1	4	5	0	33	119	0	0	25	3	24	0	310
07:30	5	78	10	0	0	2	11	0	18	125	1	0	45	2	27	0	324
07:45	1	58	20	0	0	1	6	0	27	151	0	0	27	1	22	0	314
Total	9	273	49	0	1	8	27	0	99	510	2	0	134	9	96	0	1217
08:00	3	85	20	0	0	3	6	0	25	120	3	0	31	1	22	0	319
08:15	3	61	25	0	0	4	5	0	24	98	1	0	36	4	18	0	279
08:30	2	66	23	0	1	5	3	0	36	94	0	0	49	3	31	0	313
08:45	1	69	9	0	0	1	0	0	19	75	1	0	24	4	22	0	225
Total	9	281	77	0	1	13	14	0	104	387	5	0	140	12	93	0	1136
09:00	0	64	9	0	2	1	3	0	16	81	0	0	19	3	26	0	224
09:15	1	54	16	0	2	1	4	0	16	74	0	0	16	5	15	0	204
09:30	0	69	9	0	1	1	2	0	10	100	2	0	13	0	6	0	213
09:45	2	66	11	0	0	1	5	0	10	83	2	0	13	0	19	0	212
Total	3	253	45	0	5	4	14	0	52	338	4	0	61	8	66	0	853
10:00	0	61	5	0	0	2	4	0	10	73	3	0	9	2	17	0	186
10:15	3	60	10	0	1	2	5	0	12	71	1	0	9	2	12	0	188
10:30	5	61	6	0	1	1	6	0	8	56	0	0	14	4	16	0	178
10:45	3	69	15	0	1	1	2	0	10	73	0	0	13	0	12	0	199
Total	11	251	36	0	3	6	17	0	40	273	4	0	45	8	57	0	751
11:00	3	73	16	0	1	1	4	0	13	64	0	0	12	1	9	0	197
11:15	2	94	10	0	0	3	1	0	11	65	1	0	12	3	16	0	218
11:30	3	97	11	0	0	3	5	0	15	89	1	0	14	0	13	0	251
11:45	0	85	14	0	0	3	4	0	9	86	0	0	20	3	11	0	235
Total	8	349	51	0	1	10	14	0	48	304	2	0	58	7	49	0	901
12:00	2	71	22	0	1	5	1	0	14	88	0	0	10	5	19	0	238
12:15	3	81	18	0	0	2	1	0	10	66	2	0	22	1	13	0	219
12:30	4	93	15	0	0	2	1	0	15	96	0	0	11	6	16	0	259
12:45	3	101	15	0	0	1	5	0	16	97	0	0	16	2	11	0	267
Total	12	346	70	0	1	10	8	0	55	347	2	0	59	14	59	0	983
13:00	4	97	10	0	2	2	7	0	10	98	1	0	9	2	16	0	258
13:15	1	101	18	0	0	2	1	0	24	78	3	0	18	2	19	0	267
13:30	2	97	11	0	0	4	2	0	14	84	0	0	24	2	12	0	252
13:45	0	78	16	0	0	3	3	0	16	96	1	0	16	2	21	0	252
Total	7	373	55	0	2	11	13	0	64	356	5	0	67	8	68	0	1029
14:00	5	99	16	0	0	1	4	0	16	103	0	0	16	5	18	0	283
14:15	0	79	15	0	0	2	1	0	19	119	1	0	14	4	22	0	276
14:30	5	104	25	0	0	0	4	0	29	106	1	0	25	3	22	0	324
14:45	4	125	22	0	2	3	2	0	23	93	1	0	16	2	23	0	316
Total	14	407	78	0	2	6	11	0	87	421	3	0	71	14	85	0	1199
15:00	5	121	33	0	2	6	9	0	34	110	1	0	9	3	29	0	362
15:15	3	129	43	0	1	5	2	0	39	110	3	0	28	6	40	0	409
15:30	3	149	25	0	1	4	4	0	25	104	0	0	33	8	55	0	411
15:45	2	123	40	0	1	4	4	0	21	114	1	0	21	4	36	0	371
Total	13	522	141	0	5	19	19	0	119	438	5	0	91	21	160	0	1553

MN Dept of Transportation

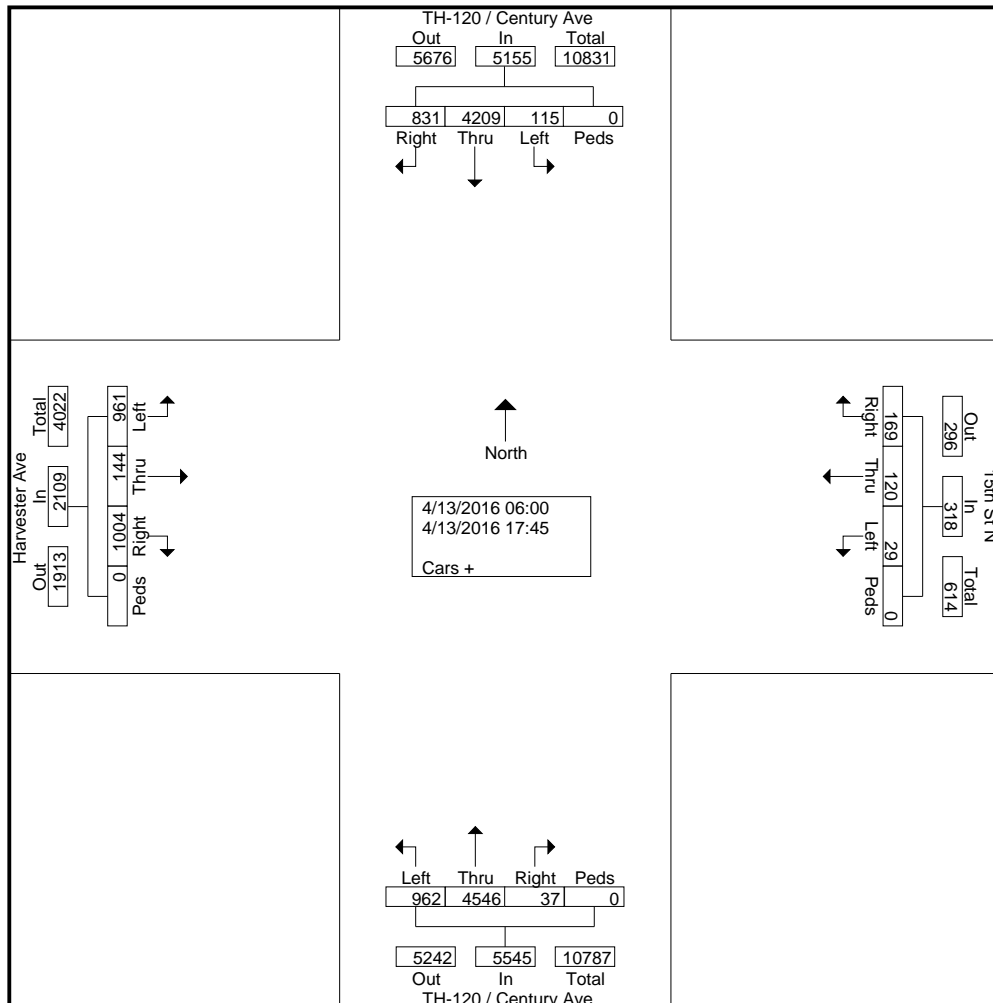
TRAFFIC DATA COLLECTION - Metro

TH-120 at Harvester Ave / 15th St N
 Ref.Pt.: 003.702
 video AL
 TURN MOVEMENT COUNT

File Name : TH-120 at Harvester Ave 2016
 Site Code :
 Start Date : 4/13/2016
 Page No : 2

Groups Printed- Cars +

Start Time	TH-120 / Century Ave Southbound				15th St N Westbound				TH-120 / Century Ave Northbound				Harvester Ave Eastbound				Int. Total
	Left	Thru	Right	Peds	Left	Thru	Right	Peds	Left	Thru	Right	Peds	Left	Thru	Right	Peds	
16:00	0	145	27	0	2	5	3	0	28	111	0	0	22	2	27	0	372
16:15	4	133	28	0	0	6	3	0	21	113	2	0	19	4	29	0	362
16:30	1	106	37	0	0	1	0	0	21	86	1	0	12	7	36	0	308
16:45	3	104	33	0	1	3	6	0	26	103	0	0	23	3	35	0	340
Total	8	488	125	0	3	15	12	0	96	413	3	0	76	16	127	0	1382
17:00	4	134	22	0	0	6	6	0	19	121	1	0	19	4	26	0	362
17:15	7	139	26	0	0	2	2	0	83	108	1	0	8	9	26	0	411
17:30	5	104	11	0	4	2	0	0	31	108	0	0	18	5	20	0	308
17:45	2	107	22	0	0	1	0	0	15	127	0	0	17	1	28	0	320
Total	18	484	81	0	4	11	8	0	148	464	2	0	62	19	100	0	1401
Grand Total	115	4209	831	0	29	120	169	0	962	4546	37	0	961	144	1004	0	13127
Apprch %	2.2	81.6	16.1	0	9.1	37.7	53.1	0	17.3	82	0.7	0	45.6	6.8	47.6	0	
Total %	0.9	32.1	6.3	0	0.2	0.9	1.3	0	7.3	34.6	0.3	0	7.3	1.1	7.6	0	



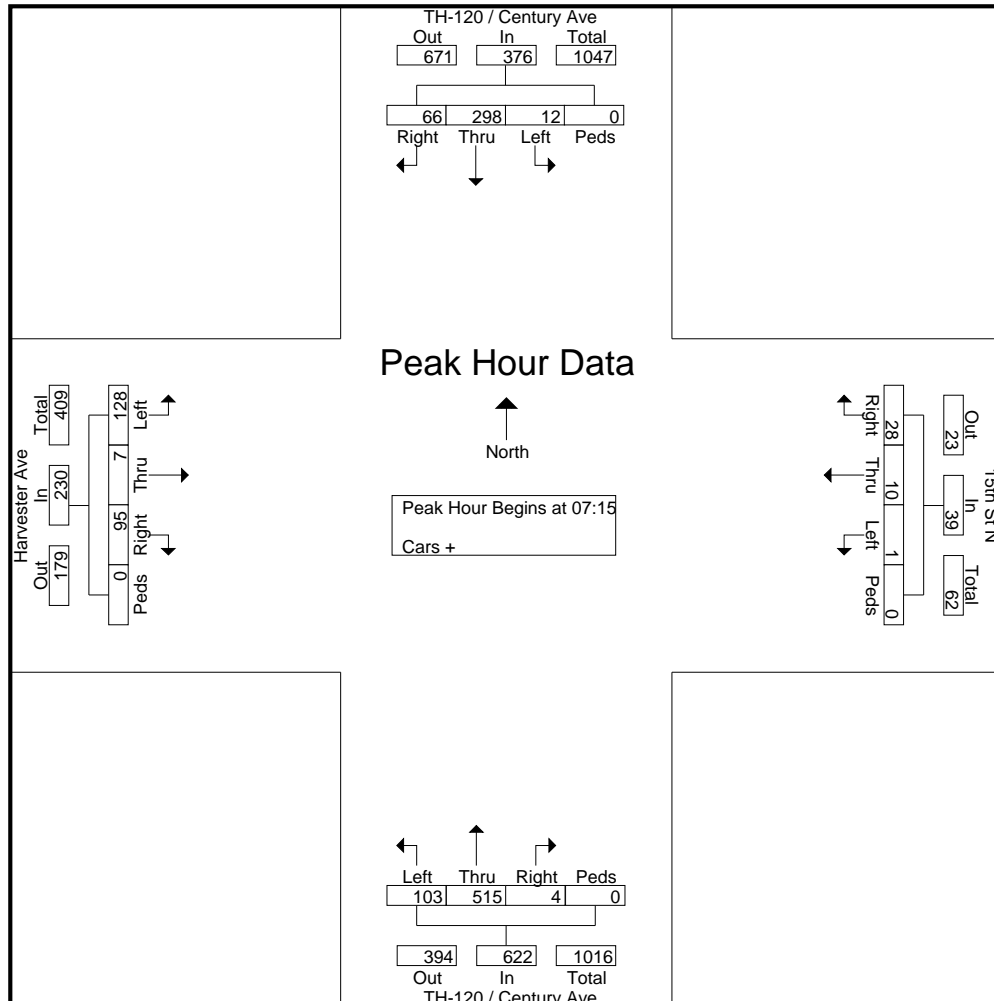
MN Dept of Transportation

TRAFFIC DATA COLLECTION - Metro

TH-120 at Harvester Ave / 15th St N
 Ref.Pt.: 003.702
 video AL
 TURN MOVEMENT COUNT

File Name : TH-120 at Harvester Ave 2016
 Site Code :
 Start Date : 4/13/2016
 Page No : 3

Start Time	TH-120 / Century Ave Southbound					15th St N Westbound					TH-120 / Century Ave Northbound					Harvester Ave Eastbound					Int. Total
	Left	Thru	Right	Peds	App. Total	Left	Thru	Right	Peds	App. Total	Left	Thru	Right	Peds	App. Total	Left	Thru	Right	Peds	App. Total	
Peak Hour Analysis From 06:00 to 11:45 - Peak 1 of 1																					
Peak Hour for Entire Intersection Begins at 07:15																					
07:15	3	77	16	0	96	1	4	5	0	10	33	119	0	0	152	25	3	24	0	52	310
07:30	5	78	10	0	93	0	2	11	0	13	18	125	1	0	144	45	2	27	0	74	324
07:45	1	58	20	0	79	0	1	6	0	7	27	151	0	0	178	27	1	22	0	50	314
08:00	3	85	20	0	108	0	3	6	0	9	25	120	3	0	148	31	1	22	0	54	319
Total Volume	12	298	66	0	376	1	10	28	0	39	103	515	4	0	622	128	7	95	0	230	1267
% App. Total	3.2	79.3	17.6	0		2.6	25.6	71.8	0		16.6	82.8	0.6	0		55.7	3	41.3	0		
PHF	.600	.876	.825	.000	.870	.250	.625	.636	.000	.750	.780	.853	.333	.000	.874	.711	.583	.880	.000	.777	.978



MN Dept of Transportation

TRAFFIC DATA COLLECTION - Metro

TH-120 at Harvester Ave / 15th St N
 Ref.Pt.: 003.702
 video AL
 TURN MOVEMENT COUNT

File Name : TH-120 at Harvester Ave 2016
 Site Code :
 Start Date : 4/13/2016
 Page No : 4

Start Time	TH-120 / Century Ave Southbound					15th St N Westbound					TH-120 / Century Ave Northbound					Harvester Ave Eastbound					Int. Total
	Left	Thru	Right	Peds	App. Total	Left	Thru	Right	Peds	App. Total	Left	Thru	Right	Peds	App. Total	Left	Thru	Right	Peds	App. Total	
Peak Hour Analysis From 12:00 to 17:45 - Peak 1 of 1																					
Peak Hour for Entire Intersection Begins at 15:15																					
15:15	3	129	43	0	175	1	5	2	0	8	39	110	3	0	152	28	6	40	0	74	409
15:30	3	149	25	0	177	1	4	4	0	9	25	104	0	0	129	33	8	55	0	96	411
15:45	2	123	40	0	165	1	4	4	0	9	21	114	1	0	136	21	4	36	0	61	371
16:00	0	145	27	0	172	2	5	3	0	10	28	111	0	0	139	22	2	27	0	51	372
Total Volume	8	546	135	0	689	5	18	13	0	36	113	439	4	0	556	104	20	158	0	282	1563
% App. Total	1.2	79.2	19.6	0		13.9	50	36.1	0		20.3	79	0.7	0		36.9	7.1	56	0		
PHF	.667	.916	.785	.000	.973	.625	.900	.813	.000	.900	.724	.963	.333	.000	.914	.788	.625	.718	.000	.734	.951

