

MN Dept of Transportation

TRAFFIC DATA COLLECTION - Metro

TH-120 at 27th St N
 Ref.Pt.: 004.849
 video ZY
 TURN MOVEMENT COUNT

File Name : TH-120 at 27th St N 2016
 Site Code :
 Start Date : 5/11/2016
 Page No : 1

Groups Printed- Cars +

Start Time	TH-120 / Century Ave Southbound				27th St N Westbound				TH-120 / Century Ave Northbound				27th St N Eastbound				Int. Total
	Left	Thru	Right	Peds	Left	Thru	Right	Peds	Left	Thru	Right	Peds	Left	Thru	Right	Peds	
06:00	0	26	0	0	1	0	1	0	0	28	0	0	0	0	0	0	56
06:15	1	51	0	0	2	0	2	0	0	61	0	0	0	0	0	0	117
06:30	0	63	0	0	1	0	2	1	0	70	0	0	0	0	0	0	137
06:45	0	97	0	0	1	0	1	2	0	63	0	0	0	0	0	0	164
Total	1	237	0	0	5	0	6	3	0	222	0	0	0	0	0	0	474
07:00	0	86	0	0	1	0	4	0	0	85	1	0	0	0	0	0	177
07:15	1	97	0	0	1	0	8	0	0	115	0	0	0	0	0	0	222
07:30	0	129	0	0	0	0	1	0	0	114	1	0	0	0	0	0	245
07:45	0	125	0	0	5	0	0	0	0	85	3	0	0	0	0	0	218
Total	1	437	0	0	7	0	13	0	0	399	5	0	0	0	0	0	862
08:00	1	95	0	0	3	0	3	0	0	83	1	0	0	0	0	0	186
08:15	0	74	0	0	2	0	4	0	0	90	0	0	0	0	0	0	170
08:30	0	78	0	0	2	0	3	0	0	94	1	0	0	0	0	0	178
08:45	1	98	0	0	2	0	4	0	0	78	0	0	0	0	0	0	183
Total	2	345	0	0	9	0	14	0	0	345	2	0	0	0	0	0	717
09:00	0	66	0	0	0	0	4	0	0	87	0	0	0	0	0	0	157
09:15	1	78	0	0	1	0	1	0	0	74	0	0	0	0	0	0	155
09:30	0	74	0	0	1	0	3	0	0	79	1	0	0	0	0	0	158
09:45	0	73	0	0	0	0	1	0	0	75	0	0	0	0	0	0	149
Total	1	291	0	0	2	0	9	0	0	315	1	0	0	0	0	0	619
10:00	2	42	0	0	1	0	4	1	0	66	0	0	0	0	0	0	116
10:15	0	78	0	0	0	0	1	0	0	53	0	0	0	0	0	0	132
10:30	3	64	0	0	3	0	3	0	0	80	2	0	0	0	0	0	155
10:45	2	78	0	0	2	0	4	0	0	48	2	0	0	0	0	0	136
Total	7	262	0	0	6	0	12	1	0	247	4	0	0	0	0	0	539
11:00	7	60	0	0	0	0	4	0	0	66	0	0	0	0	0	0	137
11:15	2	95	0	0	1	0	1	0	0	67	0	0	0	0	0	0	166
11:30	1	64	0	0	1	0	1	0	0	84	3	0	0	0	0	0	154
11:45	2	70	0	0	3	0	1	0	0	97	1	0	0	0	0	0	174
Total	12	289	0	0	5	0	7	0	0	314	4	0	0	0	0	0	631
12:00	0	82	0	0	2	0	3	0	0	60	2	0	0	0	0	0	149
12:15	1	87	0	0	1	0	3	0	0	105	3	0	0	0	0	0	200
12:30	2	78	0	0	0	0	3	0	0	74	1	0	0	0	0	0	158
12:45	0	80	0	0	1	0	0	0	0	84	1	0	0	0	0	0	166
Total	3	327	0	0	4	0	9	0	0	323	7	0	0	0	0	0	673
13:00	3	75	0	0	2	0	3	0	0	84	2	0	0	0	0	0	169
13:15	4	105	0	0	3	0	2	0	0	83	2	0	0	0	0	0	199
13:30	0	62	0	0	3	0	3	0	0	77	2	0	0	0	0	0	147
13:45	0	105	0	0	1	0	1	0	0	84	1	0	0	0	0	0	192
Total	7	347	0	0	9	0	9	0	0	328	7	0	0	0	0	0	707
14:00	0	86	0	0	0	0	2	0	0	103	1	0	0	0	0	0	192
14:15	3	121	0	0	3	0	3	0	0	91	2	0	0	0	0	0	223
14:30	1	116	0	0	1	0	2	0	0	89	4	0	0	0	0	0	213
14:45	2	115	0	0	2	1	4	0	0	83	1	0	0	0	0	0	208
Total	6	438	0	0	6	1	11	0	0	366	8	0	0	0	0	0	836
15:00	1	143	0	0	0	0	0	2	0	113	2	0	0	0	0	0	261
15:15	4	129	0	0	1	0	0	0	0	97	0	0	0	0	0	0	231
15:30	5	98	0	0	0	0	1	0	0	156	1	0	0	0	0	0	261
15:45	1	123	0	0	1	0	3	0	0	110	3	0	0	0	0	0	241
Total	11	493	0	0	2	0	4	2	0	476	6	0	0	0	0	0	994

MN Dept of Transportation

TRAFFIC DATA COLLECTION - Metro

TH-120 at 27th St N
 Ref.Pt.: 004.849
 video ZY
 TURN MOVEMENT COUNT

File Name : TH-120 at 27th St N 2016
 Site Code :
 Start Date : 5/11/2016
 Page No : 2

Groups Printed- Cars +

Start Time	TH-120 / Century Ave Southbound				27th St N Westbound				TH-120 / Century Ave Northbound				27th St N Eastbound				Int. Total	
	Left	Thru	Right	Peds	Left	Thru	Right	Peds	Left	Thru	Right	Peds	Left	Thru	Right	Peds		
16:00	6	129	0	0	0	0	1	0	0	159	5	0	0	0	0	0	0	300
16:15	3	143	0	0	1	0	2	0	0	161	1	0	0	0	0	0	0	311
16:30	4	138	0	0	1	0	2	1	0	167	2	0	0	0	0	0	0	315
16:45	1	144	0	0	2	0	5	0	0	152	1	0	0	0	0	0	0	305
Total	14	554	0	0	4	0	10	1	0	639	9	0	0	0	0	0	0	1231
17:00	1	155	0	0	0	0	1	1	0	171	2	0	0	0	0	0	0	331
17:15	4	162	0	0	0	0	1	0	0	168	5	0	0	0	0	0	0	340
17:30	4	149	0	0	2	0	1	0	0	145	1	0	0	0	0	0	0	302
17:45	2	123	0	0	2	0	5	0	0	120	1	0	0	0	0	0	0	253
Total	11	589	0	0	4	0	8	1	0	604	9	0	0	0	0	0	0	1226
Grand Total	76	4609	0	0	63	1	112	8	0	4578	62	0	0	0	0	0	0	9509
Apprch %	1.6	98.4	0	0	34.2	0.5	60.9	4.3	0	98.7	1.3	0	0	0	0	0	0	
Total %	0.8	48.5	0	0	0.7	0	1.2	0.1	0	48.1	0.7	0	0	0	0	0	0	

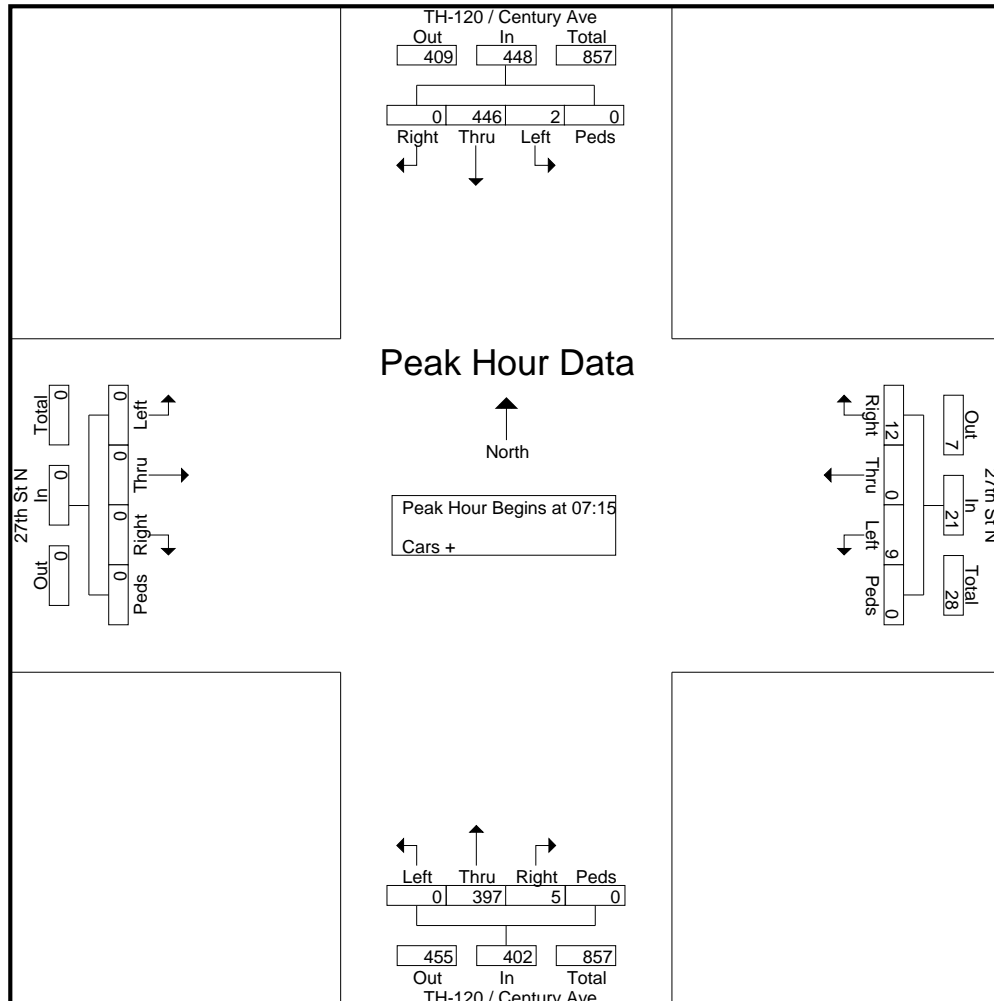
MN Dept of Transportation

TRAFFIC DATA COLLECTION - Metro

TH-120 at 27th St N
 Ref.Pt.: 004.849
 video ZY
 TURN MOVEMENT COUNT

File Name : TH-120 at 27th St N 2016
 Site Code :
 Start Date : 5/11/2016
 Page No : 3

Start Time	TH-120 / Century Ave Southbound					27th St N Westbound					TH-120 / Century Ave Northbound					27th St N Eastbound					Int. Total
	Left	Thru	Right	Peds	App. Total	Left	Thru	Right	Peds	App. Total	Left	Thru	Right	Peds	App. Total	Left	Thru	Right	Peds	App. Total	
Peak Hour Analysis From 06:00 to 11:45 - Peak 1 of 1																					
Peak Hour for Entire Intersection Begins at 07:15																					
07:15	1	97	0	0	98	1	0	8	0	9	0	115	0	0	115	0	0	0	0	0	222
07:30	0	129	0	0	129	0	0	1	0	1	0	114	1	0	115	0	0	0	0	0	245
07:45	0	125	0	0	125	5	0	0	0	5	0	85	3	0	88	0	0	0	0	0	218
08:00	1	95	0	0	96	3	0	3	0	6	0	83	1	0	84	0	0	0	0	0	186
Total Volume	2	446	0	0	448	9	0	12	0	21	0	397	5	0	402	0	0	0	0	0	871
% App. Total	0.4	99.6	0	0		42.9	0	57.1	0		0	98.8	1.2	0		0	0	0	0		
PHF	.500	.864	.000	.000	.868	.450	.000	.375	.000	.583	.000	.863	.417	.000	.874	.000	.000	.000	.000	.000	.889



MN Dept of Transportation

TRAFFIC DATA COLLECTION - Metro

TH-120 at 27th St N
 Ref.Pt.: 004.849
 video ZY
 TURN MOVEMENT COUNT

File Name : TH-120 at 27th St N 2016
 Site Code :
 Start Date : 5/11/2016
 Page No : 4

Start Time	TH-120 / Century Ave Southbound					27th St N Westbound					TH-120 / Century Ave Northbound					27th St N Eastbound					Int. Total
	Left	Thru	Right	Peds	App. Total	Left	Thru	Right	Peds	App. Total	Left	Thru	Right	Peds	App. Total	Left	Thru	Right	Peds	App. Total	
Peak Hour Analysis From 12:00 to 17:45 - Peak 1 of 1																					
Peak Hour for Entire Intersection Begins at 16:30																					
16:30	4	138	0	0	142	1	0	2	1	4	0	167	2	0	169	0	0	0	0	0	315
16:45	1	144	0	0	145	2	0	5	0	7	0	152	1	0	153	0	0	0	0	0	305
17:00	1	155	0	0	156	0	0	1	1	2	0	171	2	0	173	0	0	0	0	0	331
17:15	4	162	0	0	166	0	0	1	0	1	0	168	5	0	173	0	0	0	0	0	340
Total Volume	10	599	0	0	609	3	0	9	2	14	0	658	10	0	668	0	0	0	0	0	1291
% App. Total	1.6	98.4	0	0		21.4	0	64.3	14.3		0	98.5	1.5	0		0	0	0	0		
PHF	.625	.924	.000	.000	.917	.375	.000	.450	.500	.500	.000	.962	.500	.000	.965	.000	.000	.000	.000	.000	.949

