

# Associated Consulting Services (ACS)

Saint Paul, MN 55127

-- TRAFFIC DATA --

TH-13 at Cnty.Rd.-64/240th St\_2018

Ref. Pt: 074+00.881

Data Prepared By: ACS

TURNING MOVEMENT COUNT

File Name : TH-13 at Cnty .Rd-64-240th St\_2018

Site Code :

Start Date : 10/24/2018

Page No : 1

Groups Printed- Cars - Trucks

Start Time	TH-13 Southbound				240th St Westbound				TH-13 Northbound				Cnty. Rd. 64 Eastbound				Int. Total
	Left	Thru	Right	Peds	Left	Thru	Right	Peds	Left	Thru	Right	Peds	Left	Thru	Right	Peds	
06:00	0	8	0	0	0	0	0	0	0	65	0	0	4	0	0	0	77
06:15	0	11	0	0	0	0	1	0	0	98	0	0	10	1	0	0	121
06:30	0	16	1	0	3	0	2	0	1	114	0	0	6	1	1	0	145
06:45	0	20	0	0	0	0	1	0	4	80	0	0	6	0	2	0	113
Total	0	55	1	0	3	0	4	0	5	357	0	0	26	2	3	0	456
07:00	1	19	0	0	0	1	2	0	2	81	1	0	4	0	3	0	114
07:15	1	18	0	0	1	1	0	0	0	104	1	0	3	0	1	0	130
07:30	0	30	1	0	0	0	1	0	1	120	0	0	8	0	1	0	162
07:45	0	34	0	0	1	0	1	0	1	72	1	0	6	0	2	0	118
Total	2	101	1	0	2	2	4	0	4	377	3	0	21	0	7	0	524
08:00	0	23	1	0	1	1	1	0	2	66	0	0	2	0	3	0	100
08:15	0	19	1	0	2	0	2	0	0	63	1	0	9	0	1	0	98
08:30	0	22	0	0	0	0	1	0	0	56	0	0	4	0	1	0	84
08:45	1	27	0	1	2	0	2	0	0	53	0	0	4	1	2	0	93
Total	1	91	2	1	5	1	6	0	2	238	1	0	19	1	7	0	375
09:00	1	22	0	0	1	2	3	0	0	55	1	1	4	0	0	0	90
09:15	2	27	2	0	1	1	1	0	1	30	0	0	8	0	0	0	73
09:30	0	21	1	0	0	0	1	0	1	31	1	0	2	1	1	0	60
09:45	0	14	1	0	0	0	0	0	0	31	2	0	2	1	0	0	51
Total	3	84	4	0	2	3	5	0	2	147	4	1	16	2	1	0	274
10:00	0	30	4	0	0	1	0	0	0	25	1	0	3	1	1	0	66
10:15	0	19	0	0	0	0	0	0	0	33	0	0	2	1	0	0	55
10:30	1	26	1	0	0	0	0	0	0	31	0	0	0	0	0	0	59
10:45	0	24	2	0	2	0	0	0	0	25	0	0	4	1	1	0	59
Total	1	99	7	0	2	1	0	0	0	114	1	0	9	3	2	0	239
11:00	0	33	2	0	0	1	0	0	0	18	0	0	1	1	1	0	57
11:15	0	31	2	0	0	0	1	0	0	30	0	0	0	0	2	0	66
11:30	0	27	2	0	0	1	0	0	0	21	1	0	1	0	0	0	53
11:45	0	36	3	0	0	0	0	0	4	41	0	0	2	0	0	0	86
Total	0	127	9	0	0	2	1	0	4	110	1	0	4	1	3	0	262
12:00	1	29	2	0	0	0	1	0	1	30	0	0	5	0	2	0	71
12:15	1	27	0	0	0	1	1	0	0	26	1	0	3	0	0	0	60
12:30	1	16	2	0	0	1	1	0	1	37	2	0	3	4	1	0	69
12:45	0	31	1	0	0	0	0	0	1	22	0	0	2	0	0	0	57
Total	3	103	5	0	0	2	3	0	3	115	3	0	13	4	3	0	257
13:00	0	32	3	0	0	2	0	0	0	30	1	0	1	0	0	0	69
13:15	2	36	3	0	0	0	0	0	0	25	0	0	1	0	1	0	68
13:30	1	41	3	0	0	0	1	0	0	21	0	0	1	0	1	0	69
13:45	1	38	3	0	1	0	0	0	0	19	1	0	1	2	0	0	66
Total	4	147	12	0	1	2	1	0	0	95	2	0	4	2	2	0	272
14:00	1	33	3	2	0	0	0	2	2	25	0	0	0	0	3	0	71
14:15	0	64	1	0	1	0	1	0	1	38	1	0	0	0	3	0	110
14:30	1	51	3	0	0	1	1	0	2	35	3	0	0	0	1	0	98

# Associated Consulting Services (ACS)

Saint Paul, MN 55127

-- TRAFFIC DATA --

TH-13 at Cnty.Rd.-64/240th St\_2018

Ref. Pt: 074+00.881

Data Prepared By: ACS

TURNING MOVEMENT COUNT

File Name : TH-13 at Cnty .Rd-64-240th St\_2018

Site Code :

Start Date : 10/24/2018

Page No : 2

Groups Printed- Cars - Trucks

Start Time	TH-13 Southbound				240th St Westbound				TH-13 Northbound				Cnty. Rd. 64 Eastbound				Int. Total
	Left	Thru	Right	Peds	Left	Thru	Right	Peds	Left	Thru	Right	Peds	Left	Thru	Right	Peds	
14:45	2	57	3	0	0	0	0	0	2	38	4	0	0	0	0	0	106
Total	4	205	10	2	1	1	2	2	7	136	8	0	0	0	7	0	385
15:00	1	50	3	0	1	2	3	0	2	35	1	0	3	0	2	0	103
15:15	1	71	4	0	2	2	2	0	1	18	1	0	2	0	1	0	105
15:30	1	61	7	0	1	0	0	0	3	38	4	0	5	1	1	0	122
15:45	0	81	3	0	0	1	2	0	3	26	2	0	0	0	1	0	119
Total	3	263	17	0	4	5	7	0	9	117	8	0	10	1	5	0	449
16:00	0	81	4	0	2	1	1	0	1	36	1	0	4	0	1	0	132
16:15	4	98	3	0	2	1	0	0	6	45	1	0	2	0	0	0	162
16:30	1	91	13	0	1	0	1	0	2	39	2	0	1	1	2	0	154
16:45	2	103	13	1	2	4	0	0	2	41	3	0	6	0	3	0	180
Total	7	373	33	1	7	6	2	0	11	161	7	0	13	1	6	0	628
17:00	2	103	6	1	1	1	1	0	2	31	1	0	0	1	5	0	155
17:15	3	96	11	0	1	0	1	0	1	39	0	0	3	1	0	0	156
17:30	1	77	4	0	0	3	1	0	3	34	0	0	7	2	2	0	134
17:45	1	87	5	0	3	0	1	0	0	30	1	0	2	3	4	0	137
Total	7	363	26	1	5	4	4	0	6	134	2	0	12	7	11	0	582
Grand Total	35	2011	127	5	32	29	39	2	53	2101	40	1	147	24	57	0	4703
Apprch %	1.6	92.3	5.8	0.2	31.4	28.4	38.2	2	2.4	95.7	1.8	0	64.5	10.5	25	0	
Total %	0.7	42.8	2.7	0.1	0.7	0.6	0.8	0	1.1	44.7	0.9	0	3.1	0.5	1.2	0	
Cars	28	1912	122	5	28	26	33	2	52	1988	36	1	142	24	54	0	4453
% Cars	80	95.1	96.1	100	87.5	89.7	84.6	100	98.1	94.6	90	100	96.6	100	94.7	0	94.7
Trucks	7	99	5	0	4	3	6	0	1	113	4	0	5	0	3	0	250
% Trucks	20	4.9	3.9	0	12.5	10.3	15.4	0	1.9	5.4	10	0	3.4	0	5.3	0	5.3

# Associated Consulting Services (ACS)

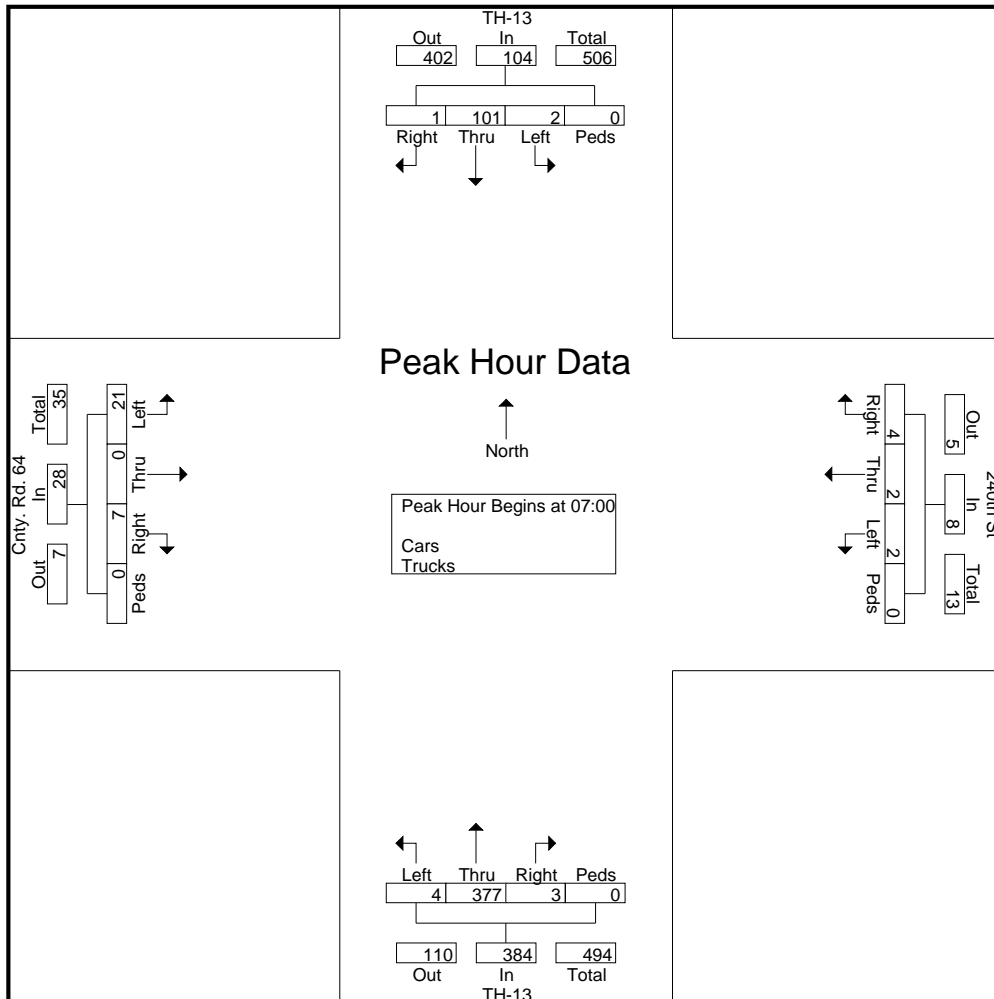
Saint Paul, MN 55127

-- TRAFFIC DATA --

TH-13 at Cnty.Rd.-64/240th St\_2018  
 Ref. Pt: 074+00.881  
 Data Prepared By: ACS  
 TURNING MOVEMENT COUNT

File Name : TH-13 at Cnty .Rd-64-240th St\_2018  
 Site Code :  
 Start Date : 10/24/2018  
 Page No : 3

Start Time	TH-13 Southbound					240th St Westbound					TH-13 Northbound					Cnty. Rd. 64 Eastbound					Int. Total
	Left	Thru	Right	Peds	App. Total	Left	Thru	Right	Peds	App. Total	Left	Thru	Right	Peds	App. Total	Left	Thru	Right	Peds	App. Total	
Peak Hour Analysis From 06:00 to 11:45 - Peak 1 of 1																					
Peak Hour for Entire Intersection Begins at 07:00																					
07:00	1	19	0	0	20	0	1	2	0	3	2	81	1	0	84	4	0	3	0	7	114
07:15	1	18	0	0	19	1	1	0	0	2	0	104	1	0	105	3	0	1	0	4	130
07:30	0	30	1	0	31	0	0	1	0	1	1	120	0	0	121	8	0	1	0	9	162
07:45	0	34	0	0	34	1	0	1	0	2	1	72	1	0	74	6	0	2	0	8	118
Total Volume	2	101	1	0	104	2	2	4	0	8	4	377	3	0	384	21	0	7	0	28	524
% App. Total	1.9	97.1	1	0		25	25	50	0		1	98.2	0.8	0		75	0	25	0		
PHF	.500	.743	.250	.000	.765	.500	.500	.500	.000	.667	.500	.785	.750	.000	.793	.656	.000	.583	.000	.778	.809



# Associated Consulting Services (ACS)

Saint Paul, MN 55127

-- TRAFFIC DATA --

TH-13 at Cnty.Rd.-64/240th St\_2018

Ref. Pt: 074+00.881

Data Prepared By: ACS

TURNING MOVEMENT COUNT

File Name : TH-13 at Cnty .Rd-64-240th St\_2018

Site Code :

Start Date : 10/24/2018

Page No : 4

Start Time	TH-13 Southbound					240th St Westbound					TH-13 Northbound					Cnty. Rd. 64 Eastbound					Int. Total
	Left	Thru	Right	Peds	App. Total	Left	Thru	Right	Peds	App. Total	Left	Thru	Right	Peds	App. Total	Left	Thru	Right	Peds	App. Total	
Peak Hour Analysis From 12:00 to 17:45 - Peak 1 of 1																					
Peak Hour for Entire Intersection Begins at 16:15																					
16:15	4	98	3	0	105	2	1	0	0	3	6	45	1	0	52	2	0	0	0	2	162
16:30	1	91	13	0	105	1	0	1	0	2	2	39	2	0	43	1	1	2	0	4	154
16:45	2	103	13	1	119	2	4	0	0	6	2	41	3	0	46	6	0	3	0	9	180
17:00	2	103	6	1	112	1	1	1	0	3	2	31	1	0	34	0	1	5	0	6	155
Total Volume	9	395	35	2	441	6	6	2	0	14	12	156	7	0	175	9	2	10	0	21	651
% App. Total	2	89.6	7.9	0.5		42.9	42.9	14.3	0		6.9	89.1	4	0		42.9	9.5	47.6	0		
PHF	.563	.959	.673	.500	.926	.750	.375	.500	.000	.583	.500	.867	.583	.000	.841	.375	.500	.500	.000	.583	.904

