

Associated Consulting Services (ACS)

Saint Paul, MN 55127

-- TRAFFIC DATA --

TH-3 at 142nd St W_2018

Ref. Pt: 033+00.410

Data Prepared By: ACS

TURNING MOVEMENT COUNT

File Name : TH-3 at 142nd St W_2018

Site Code :

Start Date : 10/24/2018

Page No : 1

Groups Printed- Cars - Trucks

Start Time	TH-3 Southbound				142nd St W Westbound				TH-3 Northbound				142nd St W Eastbound				Int. Total
	Left	Thru	Right	Peds	Left	Thru	Right	Peds	Left	Thru	Right	Peds	Left	Thru	Right	Peds	
06:00	0	45	4	0	0	0	0	0	5	73	0	0	0	0	1	1	129
06:15	0	48	9	0	0	0	0	0	3	103	0	0	1	0	0	1	165
06:30	0	65	41	0	0	0	0	0	13	121	0	0	7	0	11	0	258
06:45	0	89	99	0	0	0	0	0	45	134	0	0	11	0	32	4	414
Total	0	247	153	0	0	0	0	0	66	431	0	0	19	0	44	6	966
07:00	0	64	163	0	0	0	0	0	58	198	0	0	5	0	69	0	557
07:15	0	120	114	0	0	0	0	0	37	205	0	0	14	0	68	4	562
07:30	0	146	6	0	0	0	0	0	10	188	0	0	12	0	6	0	368
07:45	0	143	7	0	0	0	0	0	4	178	0	0	4	0	5	2	343
Total	0	473	290	0	0	0	0	0	109	769	0	0	35	0	148	6	1830
08:00	0	60	12	0	0	0	0	0	5	150	0	0	3	0	3	1	234
08:15	0	69	8	0	0	0	0	0	5	121	0	0	9	0	8	0	220
08:30	0	68	6	0	0	0	0	0	7	140	0	0	4	0	6	0	231
08:45	0	77	5	0	0	0	0	0	2	111	0	0	11	0	7	0	213
Total	0	274	31	0	0	0	0	0	19	522	0	0	27	0	24	1	898
09:00	0	88	1	0	0	0	0	0	6	114	0	0	3	0	1	0	213
09:15	0	117	1	0	0	0	0	0	6	98	0	0	8	0	8	1	239
09:30	0	97	2	0	0	0	0	0	4	89	0	0	1	0	3	3	199
09:45	0	80	4	0	0	0	0	0	0	83	0	0	2	0	5	0	174
Total	0	382	8	0	0	0	0	0	16	384	0	0	14	0	17	4	825
10:00	0	73	7	0	0	0	0	0	0	75	0	0	2	0	2	0	159
10:15	0	82	1	0	0	0	0	0	4	51	0	0	2	0	5	0	145
10:30	0	79	2	0	0	0	0	0	2	73	0	0	3	0	3	0	162
10:45	0	74	7	0	0	0	0	0	0	77	0	0	2	0	3	1	164
Total	0	308	17	0	0	0	0	0	6	276	0	0	9	0	13	1	630
11:00	0	89	6	0	0	0	0	0	3	68	0	0	2	0	4	1	173
11:15	0	77	3	0	0	0	0	0	3	95	0	0	5	0	4	1	188
11:30	0	70	3	0	0	0	0	0	2	96	0	0	5	0	12	0	188
11:45	0	96	3	0	0	0	0	0	2	70	0	0	4	0	4	0	179
Total	0	332	15	0	0	0	0	0	10	329	0	0	16	0	24	2	728
12:00	0	90	1	0	0	0	0	0	5	106	0	0	3	0	4	2	211
12:15	0	72	10	0	0	0	0	0	5	100	0	0	4	0	2	2	195
12:30	0	85	24	0	0	0	0	0	3	87	0	0	5	0	7	0	211
12:45	0	85	9	0	0	0	0	0	0	77	0	0	1	0	5	2	179
Total	0	332	44	0	0	0	0	0	13	370	0	0	13	0	18	6	796
13:00	0	88	6	0	0	0	0	0	1	85	0	0	3	0	4	2	189
13:15	0	74	7	0	0	0	0	0	5	68	0	0	11	0	10	0	175
13:30	0	102	4	0	0	0	0	0	4	77	0	0	14	0	8	3	212
13:45	0	87	5	0	0	0	0	0	6	102	0	0	3	0	1	0	204
Total	0	351	22	0	0	0	0	0	16	332	0	0	31	0	23	5	780
14:00	0	70	18	0	0	0	0	0	13	113	0	0	28	0	11	2	255
14:15	0	136	23	0	0	0	0	0	19	92	0	0	51	0	71	2	394
14:30	0	145	19	1	0	0	0	0	8	125	0	0	33	0	55	4	390

Associated Consulting Services (ACS)

Saint Paul, MN 55127

-- TRAFFIC DATA --

TH-3 at 142nd St W_2018

Ref. Pt: 033+00.410

Data Prepared By: ACS

TURNING MOVEMENT COUNT

File Name : TH-3 at 142nd St W_2018

Site Code :

Start Date : 10/24/2018

Page No : 2

Groups Printed- Cars - Trucks

Start Time	TH-3 Southbound				142nd St W Westbound				TH-3 Northbound				142nd St W Eastbound				Int. Total
	Left	Thru	Right	Peds	Left	Thru	Right	Peds	Left	Thru	Right	Peds	Left	Thru	Right	Peds	
14:45	0	134	13	0	0	0	0	0	8	113	0	0	11	0	15	1	295
Total	0	485	73	1	0	0	0	0	48	443	0	0	123	0	152	9	1334
15:00	0	118	14	1	0	0	0	0	8	150	0	0	22	0	13	2	328
15:15	0	161	20	0	0	0	0	0	9	129	0	0	12	0	15	1	347
15:30	0	171	17	1	0	0	0	0	14	108	0	0	13	0	17	3	344
15:45	0	172	21	0	0	0	0	0	16	149	0	0	13	0	21	1	393
Total	0	622	72	2	0	0	0	0	47	536	0	0	60	0	66	7	1412
16:00	0	174	10	0	0	0	0	0	4	139	0	0	16	0	14	5	362
16:15	0	144	8	0	0	0	0	0	6	119	0	0	9	0	9	1	296
16:30	0	208	8	1	0	0	0	0	5	157	0	0	10	0	9	3	401
16:45	0	229	6	0	0	0	0	0	1	148	0	0	10	0	7	5	406
Total	0	755	32	1	0	0	0	0	16	563	0	0	45	0	39	14	1465
17:00	0	224	3	0	0	0	0	0	3	198	0	0	12	0	12	6	458
17:15	0	197	6	0	0	0	0	0	3	134	0	0	1	0	2	2	345
17:30	0	191	12	0	0	0	0	0	2	119	0	0	5	0	4	1	334
17:45	0	170	22	0	0	0	0	0	9	114	0	0	2	0	6	1	324
Total	0	782	43	0	0	0	0	0	17	565	0	0	20	0	24	10	1461
Grand Total	0	5343	800	4	0	0	0	0	383	5520	0	0	412	0	592	71	13125
Apprch %	0	86.9	13	0.1	0	0	0	0	6.5	93.5	0	0	38.3	0	55.1	6.6	
Total %	0	40.7	6.1	0	0	0	0	0	2.9	42.1	0	0	3.1	0	4.5	0.5	
Cars	0	4935	791	4	0	0	0	0	375	5160	0	0	409	0	584	71	12329
% Cars	0	92.4	98.9	100	0	0	0	0	97.9	93.5	0	0	99.3	0	98.6	100	93.9
Trucks	0	408	9	0	0	0	0	0	8	360	0	0	3	0	8	0	796
% Trucks	0	7.6	1.1	0	0	0	0	0	2.1	6.5	0	0	0.7	0	1.4	0	6.1

Associated Consulting Services (ACS)

Saint Paul, MN 55127

-- TRAFFIC DATA --

TH-3 at 142nd St W_2018

Ref. Pt: 033+00.410

Data Prepared By: ACS

TURNING MOVEMENT COUNT

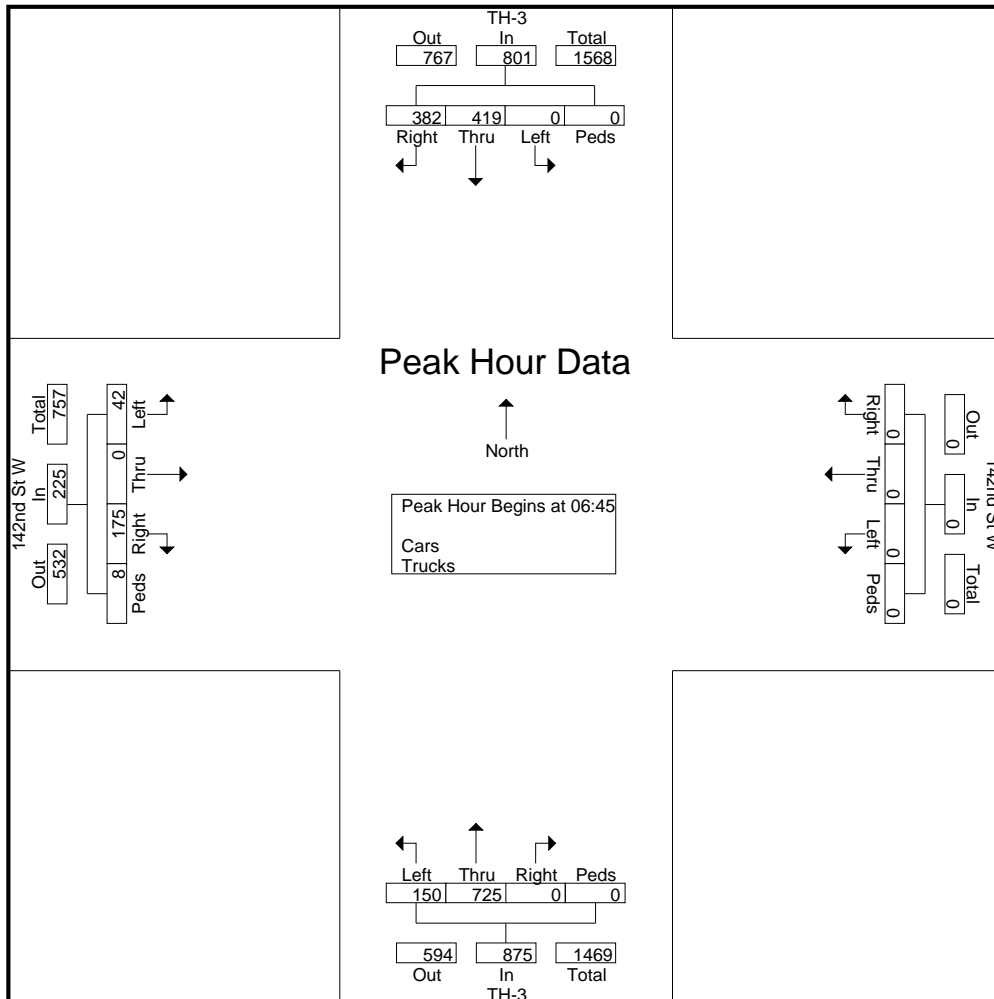
File Name : TH-3 at 142nd St W_2018

Site Code :

Start Date : 10/24/2018

Page No : 3

Start Time	TH-3 Southbound					142nd St W Westbound					TH-3 Northbound					142nd St W Eastbound					Int. Total
	Left	Thru	Right	Peds	App. Total	Left	Thru	Right	Peds	App. Total	Left	Thru	Right	Peds	App. Total	Left	Thru	Right	Peds	App. Total	
Peak Hour Analysis From 06:00 to 11:45 - Peak 1 of 1																					
Peak Hour for Entire Intersection Begins at 06:45																					
06:45	0	89	99	0	188	0	0	0	0	0	45	134	0	0	179	11	0	32	4	47	414
07:00	0	64	163	0	227	0	0	0	0	0	58	198	0	0	256	5	0	69	0	74	557
07:15	0	120	114	0	234	0	0	0	0	0	37	205	0	0	242	14	0	68	4	86	562
07:30	0	146	6	0	152	0	0	0	0	0	10	188	0	0	198	12	0	6	0	18	368
Total Volume	0	419	382	0	801	0	0	0	0	0	150	725	0	0	875	42	0	175	8	225	1901
% App. Total	0	52.3	47.7	0		0	0	0	0	0	17.1	82.9	0	0		18.7	0	77.8	3.6		
PHF	.000	.717	.586	.000	.856	.000	.000	.000	.000	.000	.647	.884	.000	.000	.854	.750	.000	.634	.500	.654	.846



Associated Consulting Services (ACS)

Saint Paul, MN 55127

-- TRAFFIC DATA --

TH-3 at 142nd St W_2018

Ref. Pt: 033+00.410

Data Prepared By: ACS

TURNING MOVEMENT COUNT

File Name : TH-3 at 142nd St W_2018

Site Code :

Start Date : 10/24/2018

Page No : 4

Start Time	TH-3 Southbound					142nd St W Westbound					TH-3 Northbound					142nd St W Eastbound					Int. Total
	Left	Thru	Right	Peds	App. Total	Left	Thru	Right	Peds	App. Total	Left	Thru	Right	Peds	App. Total	Left	Thru	Right	Peds	App. Total	
Peak Hour Analysis From 12:00 to 17:45 - Peak 1 of 1																					
Peak Hour for Entire Intersection Begins at 16:30																					
16:30	0	208	8	1	217	0	0	0	0	0	5	157	0	0	162	10	0	9	3	22	401
16:45	0	229	6	0	235	0	0	0	0	0	1	148	0	0	149	10	0	7	5	22	406
17:00	0	224	3	0	227	0	0	0	0	0	3	198	0	0	201	12	0	12	6	30	458
17:15	0	197	6	0	203	0	0	0	0	0	3	134	0	0	137	1	0	2	2	5	345
Total Volume	0	858	23	1	882	0	0	0	0	0	12	637	0	0	649	33	0	30	16	79	1610
% App. Total	0	97.3	2.6	0.1		0	0	0	0		1.8	98.2	0	0		41.8	0	38	20.3		
PHF	.000	.937	.719	.250	.938	.000	.000	.000	.000	.000	.600	.804	.000	.000	.807	.688	.000	.625	.667	.658	.879

