



MINNESOTA DEPT OF TRANSPORTATION

TRAFFIC DATA COLLECTION - METRO

Chaska Blvd (old TH-212) at Walnut St.
 Ref.Pt.: CHASKA
 Data by: Westwood Professional Services
 TURN MOVEMENT COUNT

File Name : Chaska Blvd at Walnut St CHASKA 2008
 Site Code : 29052521
 Start Date : 10/21/2008
 Page No : 1

Groups Printed- Unshifted

Start Time	Walnut St. / CSAH-12 Southbound				Chaska Blvd. (old TH-212) Westbound				Walnut St. / CSAH-12 Northbound				Chaska Blvd. (old TH-212) Eastbound				Int. Total
	Left	Thru	Right	Peds	Left	Thru	Right	Peds	Left	Thru	Right	Peds	Left	Thru	Right	Peds	
06:00	0	2	1	0	1	28	1	0	0	0	11	0	4	25	1	0	74
06:15	0	0	1	0	0	25	1	0	1	1	12	0	0	54	3	0	98
06:30	1	2	2	0	5	23	1	0	0	3	15	0	0	60	2	0	114
06:45	0	9	1	0	4	25	1	0	0	3	22	0	0	51	16	1	133
Total	1	13	5	0	10	101	4	0	1	7	60	0	4	190	22	1	419
07:00	4	4	3	0	4	29	1	0	3	3	22	0	0	48	4	0	125
07:15	6	7	5	0	4	29	6	0	1	5	18	0	0	88	27	0	196
07:30	8	16	3	0	11	40	2	0	1	8	28	0	1	89	17	0	224
07:45	2	16	2	0	20	35	1	0	4	5	14	0	1	73	26	0	199
Total	20	43	13	0	39	133	10	0	9	21	82	0	2	298	74	0	744
08:00	4	11	5	0	12	40	2	0	3	5	16	0	0	46	29	0	173
08:15	2	11	4	0	4	28	0	0	2	5	9	0	1	32	15	0	113
08:30	5	13	3	0	14	39	0	0	2	8	15	0	2	55	16	0	172
08:45	6	13	7	0	11	49	0	0	0	9	7	0	0	42	11	0	155
Total	17	48	19	0	41	156	2	0	7	27	47	0	3	175	71	0	613
*** BREAK ***																	
11:00	9	12	4	0	18	57	6	0	3	18	22	0	3	50	6	0	208
11:15	5	15	9	0	9	38	3	0	3	18	15	0	2	43	8	0	168
11:30	6	8	11	0	17	51	5	0	4	15	11	0	4	44	3	0	179
11:45	9	15	14	0	10	58	7	0	2	19	22	0	3	45	6	0	210
Total	29	50	38	0	54	204	21	0	12	70	70	0	12	182	23	0	765
12:00	9	16	11	0	23	58	4	0	0	23	22	0	3	63	4	0	236
12:15	8	16	13	0	24	53	5	0	4	8	12	0	3	62	8	0	216
12:30	5	22	6	0	19	54	1	0	1	8	15	0	5	60	10	0	206
12:45	7	18	13	0	15	63	5	0	2	12	12	0	5	55	7	0	214
Total	29	72	43	0	81	228	15	0	7	51	61	0	16	240	29	0	872
*** BREAK ***																	
15:00	3	9	15	0	13	54	0	0	3	11	9	0	3	39	8	0	167
15:15	8	9	11	0	9	91	3	0	2	15	9	0	1	31	4	0	193
15:30	8	17	18	0	16	87	6	0	6	15	19	0	1	34	10	0	237
15:45	6	15	17	0	21	82	12	0	5	23	20	0	3	42	19	0	265
Total	25	50	61	0	59	314	21	0	16	64	57	0	8	146	41	0	862
16:00	6	15	16	0	16	65	5	0	6	22	21	0	4	57	9	0	242
16:15	10	8	17	0	17	117	6	0	6	20	12	0	3	68	9	0	293
16:30	5	16	14	0	16	90	10	0	7	29	15	0	3	76	8	0	289
16:45	11	21	28	0	8	83	8	0	5	19	11	0	6	61	13	0	274
Total	32	60	75	0	57	355	29	0	24	90	59	0	16	262	39	0	1098
17:00	3	14	27	0	9	115	6	0	3	28	14	0	2	54	10	0	285
17:15	10	17	26	0	18	87	11	0	5	21	17	0	4	54	12	0	282
17:30	8	18	21	0	16	89	9	0	5	24	15	0	4	65	11	0	285
17:45	9	21	12	0	16	59	13	0	6	21	16	0	7	51	8	0	239
Total	30	70	86	0	59	350	39	0	19	94	62	0	17	224	41	0	1091
Grand Total	183	406	340	0	400	1841	141	0	95	424	498	0	78	1717	340	1	6464
Apprch %	19.7	43.7	36.6	0	16.8	77.3	5.9	0	9.3	41.7	49	0	3.7	80.4	15.9	0	
Total %	2.8	6.3	5.3	0	6.2	28.5	2.2	0	1.5	6.6	7.7	0	1.2	26.6	5.3	0	



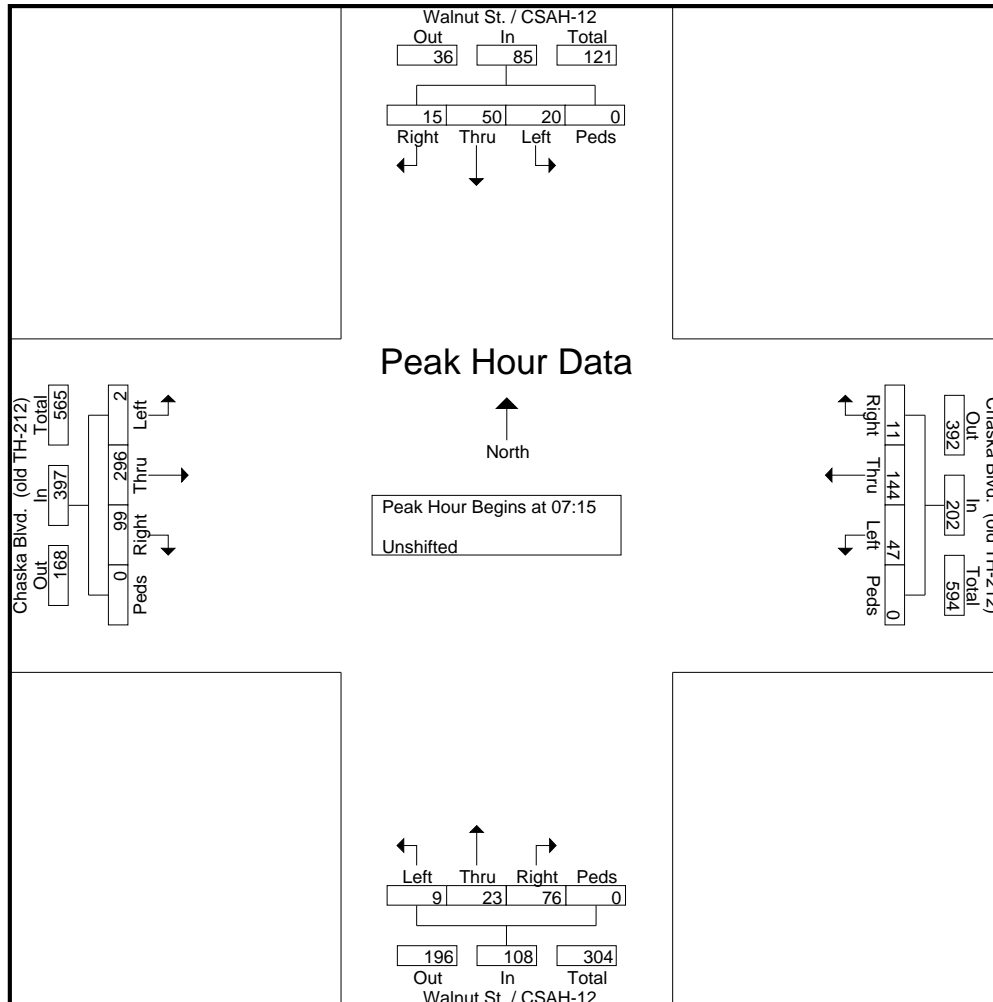
MINNESOTA DEPT OF TRANSPORTATION

TRAFFIC DATA COLLECTION - METRO

Chaska Blvd (old TH-212) at Walnut St.
 Ref.Pt.: CHASKA
 Data by: Westwood Professional Services
 TURN MOVEMENT COUNT

File Name : Chaska Blvd at Walnut St CHASKA 2008
 Site Code : 29052521
 Start Date : 10/21/2008
 Page No : 2

Start Time	Walnut St. / CSAH-12 Southbound					Chaska Blvd. (old TH-212) Westbound					Walnut St. / CSAH-12 Northbound					Chaska Blvd. (old TH-212) Eastbound					Int. Total
	Left	Thru	Right	Peds	App. Total	Left	Thru	Right	Peds	App. Total	Left	Thru	Right	Peds	App. Total	Left	Thru	Right	Peds	App. Total	
Peak Hour Analysis From 06:00 to 08:45 - Peak 1 of 1																					
Peak Hour for Entire Intersection Begins at 07:15																					
07:15	6	7	5	0	18	4	29	6	0	39	1	5	18	0	24	0	88	27	0	115	196
07:30	8	16	3	0	27	11	40	2	0	53	1	8	28	0	37	1	89	17	0	107	224
07:45	2	16	2	0	20	20	35	1	0	56	4	5	14	0	23	1	73	26	0	100	199
08:00	4	11	5	0	20	12	40	2	0	54	3	5	16	0	24	0	46	29	0	75	173
Total Volume	20	50	15	0	85	47	144	11	0	202	9	23	76	0	108	2	296	99	0	397	792
% App. Total	23.5	58.8	17.6	0		23.3	71.3	5.4	0		8.3	21.3	70.4	0		0.5	74.6	24.9	0		
PHF	.625	.781	.750	.000	.787	.588	.900	.458	.000	.902	.563	.719	.679	.000	.730	.500	.831	.853	.000	.863	.884





MINNESOTA DEPT OF TRANSPORTATION

TRAFFIC DATA COLLECTION - METRO

Chaska Blvd (old TH-212) at Walnut St.
 Ref.Pt.: CHASKA
 Data by: Westwood Professional Services
 TURN MOVEMENT COUNT

File Name : Chaska Blvd at Walnut St CHASKA 2008
 Site Code : 29052521
 Start Date : 10/21/2008
 Page No : 3

Start Time	Walnut St. / CSAH-12 Southbound					Chaska Blvd. (old TH-212) Westbound					Walnut St. / CSAH-12 Northbound					Chaska Blvd. (old TH-212) Eastbound					Int. Total
	Left	Thru	Right	Peds	App. Total	Left	Thru	Right	Peds	App. Total	Left	Thru	Right	Peds	App. Total	Left	Thru	Right	Peds	App. Total	

Peak Hour Analysis From 15:00 to 17:45 - Peak 1 of 1

Peak Hour for Entire Intersection Begins at 16:15

16:15	10	8	17	0	35	17	117	6	0	140	6	20	12	0	38	3	68	9	0	80	293
16:30	5	16	14	0	35	16	90	10	0	116	7	29	15	0	51	3	76	8	0	87	289
16:45	11	21	28	0	60	8	83	8	0	99	5	19	11	0	35	6	61	13	0	80	274
17:00	3	14	27	0	44	9	115	6	0	130	3	28	14	0	45	2	54	10	0	66	285
Total Volume	29	59	86	0	174	50	405	30	0	485	21	96	52	0	169	14	259	40	0	313	1141
% App. Total	16.7	33.9	49.4	0		10.3	83.5	6.2	0		12.4	56.8	30.8	0		4.5	82.7	12.8	0		
PHF	.659	.702	.768	.000	.725	.735	.865	.750	.000	.866	.750	.828	.867	.000	.828	.583	.852	.769	.000	.899	.974

