

ALLIANT ENGINEERING, INC.

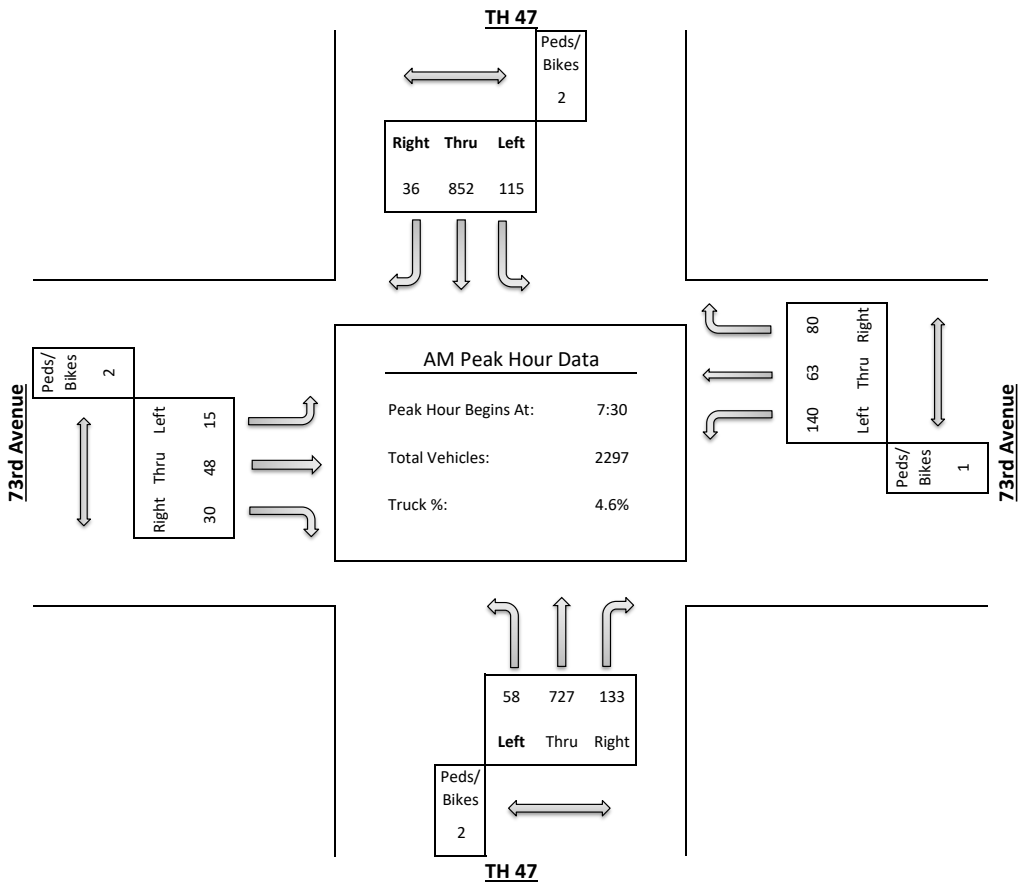
733 S Marquette Ave #700, Minneapolis, MN 55402

Intersection: TH 47 & 73rd Avenue
 Date: 3/19/2024
 Duration: 0600-1800

Site Code: 612
 Ref Pt: N/A
 Page No: 2 of 4

All Vehicles (Cars & Trucks) Printed

Start Time	TH 47 Southbound						73rd Avenue Westbound						TH 47 Northbound						73rd Avenue Eastbound						Int. Veh. Total	Int. Ped/Bike Total
	U-Turn	Left	Thru	Right	App. Total	Peds/Bikes	U-Turn	Left	Thru	Right	App. Total	Peds/Bikes	U-Turn	Left	Thru	Right	App. Total	Peds/Bikes	U-Turn	Left	Thru	Right	App. Total	Peds/Bikes		
7:30	--	29	241	10	280	--	--	48	10	14	72	--	--	17	180	41	238	--	--	2	8	10	20	--	610	--
7:45	--	25	222	7	254	2	--	38	16	15	69	--	--	11	210	30	251	1	--	--	15	7	22	2	596	5
8:00	--	37	215	9	261	--	--	32	16	28	76	--	--	15	184	33	232	--	--	5	13	4	22	--	591	--
8:15	--	24	174	10	208	--	--	22	21	23	66	1	--	15	153	29	197	1	--	8	12	9	29	--	500	2
Hour Total	--	115	852	36	1003	2	--	140	63	80	283	1	--	58	727	133	918	2	--	15	48	30	93	2	2297	7
% of App.	0.0%	11.5%	84.9%	3.6%			0.0%	49.5%	22.3%	28.3%			0.0%	6.3%	79.2%	14.5%			0.0%	16.1%	51.6%	32.3%				
% of Total	0.0%	5.0%	37.1%	1.6%	43.7%	28.6%	0.0%	6.1%	2.7%	3.5%	12.3%	14.3%	0.0%	2.5%	31.6%	5.8%	40.0%	28.6%	0.0%	0.7%	2.1%	1.3%	4.0%	28.6%		
Cars Total	--	107	817	34	958	2	--	136	57	73	266	1	--	53	697	130	880	2	--	14	47	27	88	2	2192	7
Cars % of Movement	0.0%	93.0%	95.9%	94.4%	95.5%	28.6%	0.0%	97.1%	90.5%	91.3%	94.0%	14.3%	0.0%	91.4%	95.9%	97.7%	95.9%	28.6%	0.0%	93.3%	97.9%	90.0%	94.6%	28.6%	95.4%	
Trucks Total	--	8	35	2	45	--	--	4	6	7	17	--	--	5	30	3	38	--	--	1	1	3	5	--	105	--
Trucks % of Movement	0.0%	7.0%	4.1%	5.6%	4.5%	--	0.0%	2.9%	9.5%	8.8%	6.0%	--	0.0%	8.6%	4.1%	2.3%	4.1%	--	0.0%	6.7%	2.1%	10.0%	5.4%	--	4.6%	



ALLIANT ENGINEERING, INC.

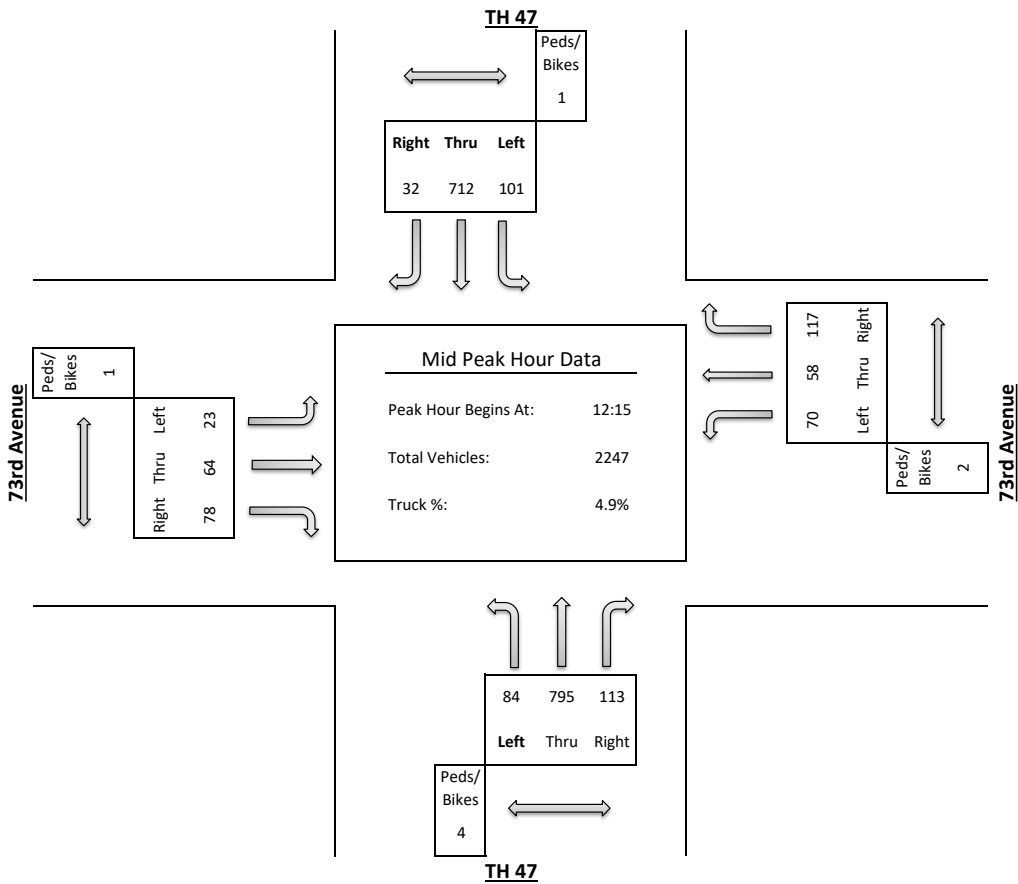
733 S Marquette Ave #700, Minneapolis, MN 55402

Intersection: TH 47 & 73rd Avenue
 Date: 3/19/2024
 Duration: 0600-1800

Site Code: 612
 Ref Pt: N/A
 Page No: 3 of 4

All Vehicles (Cars & Trucks) Printed

Start Time	TH 47 Southbound						73rd Avenue Westbound						TH 47 Northbound						73rd Avenue Eastbound						Int. Veh. Total	Int. Ped/Bike Total
	U-Turn	Left	Thru	Right	App. Total	Peds/Bikes	U-Turn	Left	Thru	Right	App. Total	Peds/Bikes	U-Turn	Left	Thru	Right	App. Total	Peds/Bikes	U-Turn	Left	Thru	Right	App. Total	Peds/Bikes		
12:15	--	25	189	7	221	1	--	23	22	37	82	--	--	17	218	26	261	--	--	6	21	20	47	--	611	1
12:30	1	23	188	10	222	--	--	13	17	28	58	1	--	25	184	31	240	1	--	8	20	16	44	--	564	2
12:45	1	25	168	10	204	--	--	21	8	23	52	--	1	19	197	29	246	3	--	5	11	18	34	1	536	4
13:00	--	26	167	5	198	--	--	13	11	29	53	1	--	22	196	27	245	--	--	4	12	24	40	--	536	1
Hour Total	2	99	712	32	845	1	--	70	58	117	245	2	1	83	795	113	992	4	--	23	64	78	165	1	2247	8
% of App.	0.2%	11.7%	84.3%	3.8%			0.0%	28.6%	23.7%	47.8%			0.1%	8.4%	80.1%	11.4%			0.0%	13.9%	38.8%	47.3%				
% of Total	0.1%	4.4%	31.7%	1.4%	37.6%	12.5%	0.0%	3.1%	2.6%	5.2%	10.9%	25.0%	0.0%	3.7%	35.4%	5.0%	44.1%	50.0%	0.0%	1.0%	2.8%	3.5%	7.3%	12.5%		
Cars Total	2	95	676	32	805	1	--	60	53	112	225	2	1	77	764	106	948	4	--	22	63	75	160	--	2138	7
Cars % of Movement	100%	96.0%	94.9%	100%	95.3%	14.3%	0.0%	85.7%	91.4%	95.7%	91.8%	28.6%	100%	92.8%	96.1%	93.8%	95.6%	57.1%	0.0%	95.7%	98.4%	96.2%	97.0%	0.0%	95.1%	
Trucks Total	--	4	36	--	40	--	--	10	5	5	20	--	--	6	31	7	44	--	--	1	1	3	5	1	109	1
Trucks % of Movement	0.0%	4.0%	5.1%	0.0%	4.7%	0.0%	0.0%	14.3%	8.6%	4.3%	8.2%	0.0%	0.0%	7.2%	3.9%	6.2%	4.4%	0.0%	0.0%	4.3%	1.6%	3.8%	3.0%	#####	4.9%	



ALLIANT ENGINEERING, INC.

733 S Marquette Ave #700, Minneapolis, MN 55402

Intersection: TH 47 & 73rd Avenue
 Date: 3/19/2024
 Duration: 0600-1800

Site Code: 612
 Ref Pt: N/A
 Page No: 4 of 4

All Vehicles (Cars & Trucks) Printed

Start Time	TH 47 Southbound						73rd Avenue Westbound						TH 47 Northbound						73rd Avenue Eastbound						Int. Veh. Total	Int. Ped/Bike Total
	U-Turn	Left	Thru	Right	App. Total	Peds/Bikes	U-Turn	Left	Thru	Right	App. Total	Peds/Bikes	U-Turn	Left	Thru	Right	App. Total	Peds/Bikes	U-Turn	Left	Thru	Right	App. Total	Peds/Bikes		
14:30	--	27	213	6	246	--	--	28	15	42	85	--	--	28	267	47	342	2	--	51	47	61	159	--	832	2
14:45	--	21	200	5	226	--	--	24	15	22	61	--	--	27	283	43	353	--	--	10	16	27	53	--	693	--
15:00	--	29	220	10	259	--	--	51	18	77	146	--	1	30	290	39	360	1	--	14	19	32	65	--	830	1
15:15	--	27	273	10	310	--	--	32	10	56	98	--	--	10	327	66	403	--	--	15	25	29	69	1	880	1
Hour Total	--	104	906	31	1041	--	--	135	58	197	390	--	1	95	1167	195	1458	3	--	90	107	149	346	1	3235	4
% of App.	0.0%	10.0%	87.0%	3.0%			0.0%	34.6%	14.9%	50.5%			0.1%	6.5%	80.0%	13.4%			0.0%	26.0%	30.9%	43.1%				
% of Total	0.0%	3.2%	28.0%	1.0%	32.2%	0.0%	0.0%	4.2%	1.8%	6.1%	12.1%	0.0%	0.0%	2.9%	36.1%	6.0%	45.1%	75.0%	0.0%	2.8%	3.3%	4.6%	10.7%	25.0%		
Cars Total	--	99	878	30	1007	--	--	133	54	196	383	--	1	93	1143	192	1429	3	--	87	104	145	336	--	3155	3
Cars % of Movement	0.0%	95.2%	96.9%	96.8%	96.7%	0.0%	0.0%	98.5%	93.1%	99.5%	98.2%	0.0%	100%	97.9%	97.9%	98.5%	98.0%	#####	0.0%	96.7%	97.2%	97.3%	97.1%	0.0%	97.5%	
Trucks Total	--	5	28	1	34	--	--	2	4	1	7	--	--	2	24	3	29	--	--	3	3	4	10	1	80	1
Trucks % of Movement	0.0%	4.8%	3.1%	3.2%	3.3%	0.0%	0.0%	1.5%	6.9%	0.5%	1.8%	0.0%	0.0%	2.1%	2.1%	1.5%	2.0%	0.0%	0.0%	3.3%	2.8%	2.7%	2.9%	#####	2.5%	

