



# MINNESOTA DEPT OF TRANSPORTATION

## TRAFFIC DATA COLLECTION - METRO

TH-5 at Century Blvd. CHANHASSEN  
 Ref.Pt.: 042.740  
 Data By: Westwood Professional Services  
 TURN MOVEMENT COUNTS

File Name : TH-5 at Century Blvd 2008  
 Site Code : 06053423  
 Start Date : 9/23/2008  
 Page No : 1

### Groups Printed- Unshifted

Start Time	Century Blvd. Southbound				TH-5 Westbound				Century Blvd. Northbound				TH-5 Eastbound				Int. Total
	Left	Thru	Right	Peds	Left	Thru	Right	Peds	Left	Thru	Right	Peds	Left	Thru	Right	Peds	
06:00	4	3	0	0	28	54	1	0	3	1	9	0	1	127	12	0	243
06:15	7	4	2	0	15	59	0	0	2	4	5	0	0	212	18	0	328
06:30	7	2	0	0	29	76	2	0	14	8	13	0	0	220	12	0	383
06:45	16	6	0	0	21	82	1	0	17	3	26	0	0	269	23	0	464
Total	34	15	2	0	93	271	4	0	36	16	53	0	1	828	65	0	1418
07:00	18	7	3	0	38	134	3	0	8	3	31	0	1	290	20	0	556
07:15	10	6	4	0	52	109	0	0	11	3	40	0	1	316	28	0	580
07:30	23	8	2	0	49	114	3	0	12	6	41	0	6	350	30	0	644
07:45	17	13	1	0	76	121	0	0	5	3	41	0	2	356	38	0	673
Total	68	34	10	0	215	478	6	0	36	15	153	0	10	1312	116	0	2453
08:00	12	2	4	0	63	101	0	0	7	3	31	0	2	276	45	0	546
08:15	12	14	1	0	68	108	0	0	6	3	28	0	2	248	44	0	534
08:30	16	7	2	0	65	104	0	0	6	2	24	0	3	217	42	0	488
08:45	5	8	0	0	65	104	0	0	5	2	22	0	5	197	46	0	459
Total	45	31	7	0	261	417	0	0	24	10	105	0	12	938	177	0	2027
*** BREAK ***																	
11:00	3	2	4	0	14	130	12	0	17	10	47	0	1	138	14	0	392
11:15	7	3	5	0	24	121	7	0	19	12	63	0	2	138	21	0	422
11:30	10	10	4	0	24	150	13	0	15	12	64	0	5	171	21	0	499
11:45	3	13	5	0	33	143	6	0	12	17	45	0	10	159	19	0	465
Total	23	28	18	0	95	544	38	0	63	51	219	0	18	606	75	0	1778
12:00	4	8	3	0	32	128	16	0	17	16	77	0	6	151	14	0	472
12:15	5	12	13	0	49	134	14	0	24	16	55	0	4	147	12	0	485
12:30	6	15	4	0	46	152	12	0	15	10	30	0	9	132	21	0	452
12:45	2	8	4	0	41	134	11	0	16	11	38	0	9	150	20	0	444
Total	17	43	24	0	168	548	53	0	72	53	200	0	28	580	67	0	1853
*** BREAK ***																	
15:00	5	5	2	0	28	252	6	0	13	6	40	0	4	198	10	0	569
15:15	3	5	1	0	27	224	13	0	16	7	32	0	5	150	12	0	495
15:30	6	3	3	0	38	298	15	0	14	6	41	0	4	177	20	0	625
15:45	3	5	4	0	47	280	18	0	28	7	53	0	5	124	18	0	592
Total	17	18	10	0	140	1054	52	0	71	26	166	0	18	649	60	0	2281
16:00	5	1	11	0	31	243	11	0	17	5	55	0	2	139	26	0	546
16:15	6	10	8	0	26	254	8	0	32	7	54	1	4	152	36	0	598
16:30	2	4	8	0	22	248	10	0	30	9	97	0	9	163	23	0	625
16:45	8	6	6	0	33	269	19	0	26	11	42	0	8	158	31	0	617
Total	21	21	33	0	112	1014	48	0	105	32	248	1	23	612	116	0	2386
17:00	10	6	4	0	33	257	13	0	45	15	91	0	7	123	25	0	629
17:15	8	9	10	0	46	238	27	0	33	12	65	0	11	154	22	0	635
17:30	0	16	10	0	45	291	19	0	37	12	62	0	5	138	31	0	666
17:45	3	10	6	0	47	227	10	0	33	10	41	0	4	116	21	0	528
Total	21	41	30	0	171	1013	69	0	148	49	259	0	27	531	99	0	2458
Grand Total	246	231	134	0	1255	5339	270	0	555	252	1403	1	137	6056	775	0	16654
Apprch %	40.3	37.8	21.9	0	18.3	77.8	3.9	0	25.1	11.4	63.5	0	2	86.9	11.1	0	
Total %	1.5	1.4	0.8	0	7.5	32.1	1.6	0	3.3	1.5	8.4	0	0.8	36.4	4.7	0	



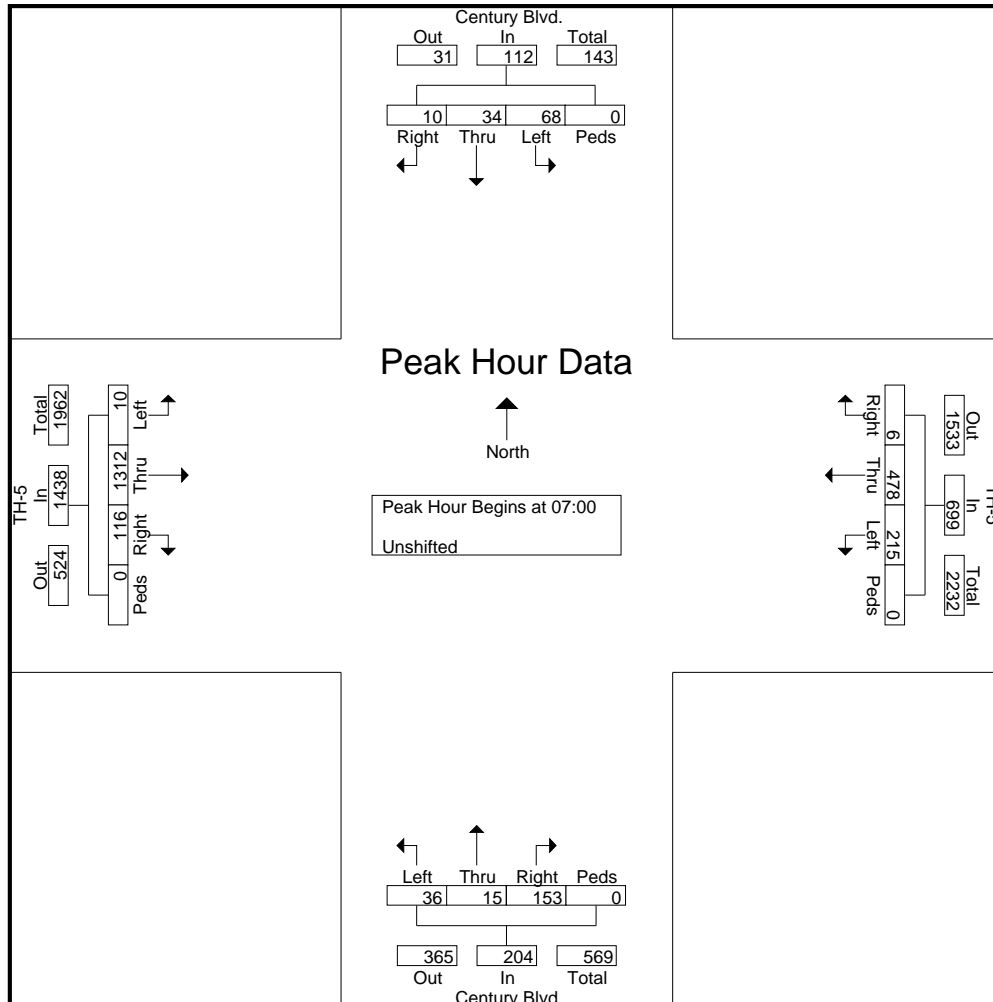
# MINNESOTA DEPT OF TRANSPORTATION

## TRAFFIC DATA COLLECTION - METRO

TH-5 at Century Blvd. CHANHASSEN  
 Ref.Pt.: 042.740  
 Data By: Westwood Professional Services  
 TURN MOVEMENT COUNTS

File Name : TH-5 at Century Blvd 2008  
 Site Code : 06053423  
 Start Date : 9/23/2008  
 Page No : 2

Start Time	Century Blvd. Southbound					TH-5 Westbound					Century Blvd. Northbound					TH-5 Eastbound					Int. Total
	Left	Thru	Right	Peds	App. Total	Left	Thru	Right	Peds	App. Total	Left	Thru	Right	Peds	App. Total	Left	Thru	Right	Peds	App. Total	
Peak Hour Analysis From 06:00 to 08:45 - Peak 1 of 1																					
Peak Hour for Entire Intersection Begins at 07:00																					
07:00	18	7	3	0	28	38	134	3	0	175	8	3	31	0	42	1	290	20	0	311	556
07:15	10	6	4	0	20	52	109	0	0	161	11	3	40	0	54	1	316	28	0	345	580
07:30	23	8	2	0	33	49	114	3	0	166	12	6	41	0	59	6	350	30	0	386	644
07:45	17	13	1	0	31	76	121	0	0	197	5	3	41	0	49	2	356	38	0	396	673
Total Volume	68	34	10	0	112	215	478	6	0	699	36	15	153	0	204	10	1312	116	0	1438	2453
% App. Total	60.7	30.4	8.9	0		30.8	68.4	0.9	0		17.6	7.4	75	0		0.7	91.2	8.1	0		
PHF	.739	.654	.625	.000	.848	.707	.892	.500	.000	.887	.750	.625	.933	.000	.864	.417	.921	.763	.000	.908	.911





# MINNESOTA DEPT OF TRANSPORTATION

## TRAFFIC DATA COLLECTION - METRO

TH-5 at Century Blvd. CHANHASSEN  
 Ref.Pt.: 042.740  
 Data By: Westwood Professional Services  
 TURN MOVEMENT COUNTS

File Name : TH-5 at Century Blvd 2008  
 Site Code : 06053423  
 Start Date : 9/23/2008  
 Page No : 3

Start Time	Century Blvd. Southbound					TH-5 Westbound					Century Blvd. Northbound					TH-5 Eastbound					Int. Total
	Left	Thru	Right	Peds	App. Total	Left	Thru	Right	Peds	App. Total	Left	Thru	Right	Peds	App. Total	Left	Thru	Right	Peds	App. Total	

Peak Hour Analysis From 15:00 to 17:45 - Peak 1 of 1

Peak Hour for Entire Intersection Begins at 16:45

16:45	8	6	6	0	20	33	269	19	0	321	26	11	42	0	79	8	158	31	0	197	617
17:00	10	6	4	0	20	33	257	13	0	303	45	15	91	0	151	7	123	25	0	155	629
17:15	8	9	10	0	27	46	238	27	0	311	33	12	65	0	110	11	154	22	0	187	635
17:30	0	16	10	0	26	45	291	19	0	355	37	12	62	0	111	5	138	31	0	174	666
Total Volume	26	37	30	0	93	157	1055	78	0	1290	141	50	260	0	451	31	573	109	0	713	2547
% App. Total	28	39.8	32.3	0		12.2	81.8	6	0		31.3	11.1	57.6	0		4.3	80.4	15.3	0		
PHF	.650	.578	.750	.000	.861	.853	.906	.722	.000	.908	.783	.833	.714	.000	.747	.705	.907	.879	.000	.905	.956

