



701 Xenia Ave S, Suite 300
 Minneapolis, MN 55416

TH 5 & Western Ave/Michigan St
 7-9am & 4-6pm
 vehicles, heavy trucks, peds
 day 1

File Name : site 41-TH 5 & Western Ave-Michigan St-day 1
 Site Code : 41
 Start Date : 4/5/2022
 Page No : 1

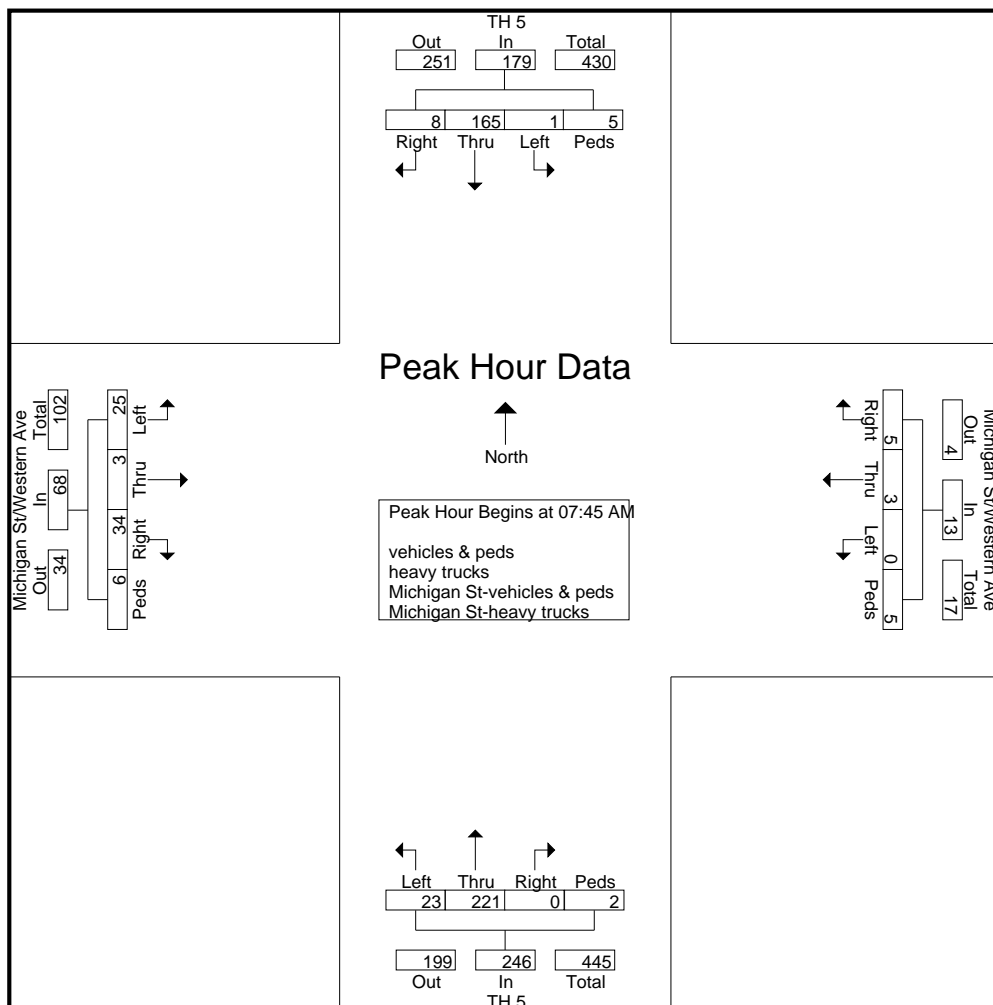
Groups Printed- vehicles & peds - heavy trucks - vehicles & peds - heavy trucks

Start Time	TH 5 From North					Michigan St/Western Ave From East					TH 5 From South					Michigan St/Western Ave From West					Int. Total
	Right	Thru	Left	Peds	App. Total	Right	Thru	Left	Peds	App. Total	Right	Thru	Left	Peds	App. Total	Right	Thru	Left	Peds	App. Total	
07:00 AM	1	18	0	0	19	0	2	1	0	3	0	36	2	0	38	3	0	4	2	9	69
07:15 AM	1	27	1	1	30	1	1	0	2	4	0	37	2	0	39	6	0	5	0	11	84
07:30 AM	2	47	1	1	51	2	1	2	1	6	0	46	2	0	48	8	0	2	0	10	115
07:45 AM	2	36	0	1	39	2	1	0	3	6	0	60	2	2	64	5	2	11	0	18	127
Total	6	128	2	3	139	5	5	3	6	19	0	179	8	2	189	22	2	22	2	48	395
08:00 AM	2	39	0	3	44	2	0	0	1	3	0	40	6	0	46	10	0	4	3	17	110
08:15 AM	2	44	1	1	48	1	2	0	0	3	0	62	11	0	73	9	0	5	3	17	141
08:30 AM	2	46	0	0	48	0	0	0	1	1	0	59	4	0	63	10	1	5	0	16	128
08:45 AM	1	36	1	0	38	0	1	1	2	4	0	50	5	3	58	11	1	5	1	18	118
Total	7	165	2	4	178	3	3	1	4	11	0	211	26	3	240	40	2	19	7	68	497
04:00 PM	1	60	0	1	62	1	1	0	0	2	0	63	8	0	71	6	2	3	5	16	151
04:15 PM	3	50	0	0	53	3	2	0	2	7	0	60	5	0	65	9	0	4	1	14	139
04:30 PM	5	72	3	0	80	2	0	0	5	7	1	60	14	5	80	14	1	6	5	26	193
04:45 PM	5	51	1	2	59	4	0	1	1	6	2	87	12	0	101	11	0	5	2	18	184
Total	14	233	4	3	254	10	3	1	8	22	3	270	39	5	317	40	3	18	13	74	667
05:00 PM	11	80	3	1	95	2	0	1	4	7	1	79	11	1	92	16	2	8	6	32	226
05:15 PM	3	58	0	0	61	1	0	1	1	3	3	66	8	0	77	11	0	9	0	20	161
05:30 PM	4	55	2	1	62	4	1	0	6	11	0	80	11	0	91	12	1	8	4	25	189
05:45 PM	4	53	5	1	63	3	2	0	1	6	0	71	5	0	76	7	0	3	9	19	164
Total	22	246	10	3	281	10	3	2	12	27	4	296	35	1	336	46	3	28	19	96	740
Grand Total	49	772	18	13	852	28	14	7	30	79	7	956	108	11	1082	148	10	87	41	286	2299
Apprch %	5.8	90.6	2.1	1.5		35.4	17.7	8.9	38		0.6	88.4	10	1		51.7	3.5	30.4	14.3		
Total %	2.1	33.6	0.8	0.6	37.1	1.2	0.6	0.3	1.3	3.4	0.3	41.6	4.7	0.5	47.1	6.4	0.4	3.8	1.8	12.4	
vehicles & peds	5	765	18	13	801	28	11	7	27	73	7	940	84	11	1042	124	7	54	13	198	2114
% vehicles & peds	10.2	99.1	100	100	94	100	78.6	100	90	92.4	100	98.3	77.8	100	96.3	83.8	70	62.1	31.7	69.2	92
heavy trucks	0	7	0	0	7	0	0	0	3	3	0	16	0	0	16	0	0	0	0	0	26
% heavy trucks	0	0.9	0	0	0.8	0	0	0	10	3.8	0	1.7	0	0	1.5	0	0	0	0	0	1.1
Michigan St-vehicles & peds	43	0	0	0	43	0	3	0	0	3	0	0	24	0	24	24	3	33	26	86	156
% Michigan St-vehicles & peds	87.8	0	0	0	5	0	21.4	0	0	3.8	0	0	22.2	0	2.2	16.2	30	37.9	63.4	30.1	6.8
Michigan St-heavy trucks	1	0	0	0	1	0	0	0	0	0	0	0	0	0	0	0	0	0	2	2	3
% Michigan St-heavy trucks	2	0	0	0	0.1	0	0	0	0	0	0	0	0	0	0	0	0	0	4.9	0.7	0.1

TH 5 & Western Ave/Michigan St
 7-9am & 4-6pm
 vehicles, heavy trucks, peds
 day 1

File Name : site 41-TH 5 & Western Ave-Michigan St-day 1
 Site Code : 41
 Start Date : 4/5/2022
 Page No : 2

Start Time	TH 5 From North					Michigan St/Western Ave From East					TH 5 From South					Michigan St/Western Ave From West					Int. Total
	Right	Thru	Left	Peds	App. Total	Right	Thru	Left	Peds	App. Total	Right	Thru	Left	Peds	App. Total	Right	Thru	Left	Peds	App. Total	
Peak Hour Analysis From 07:00 AM to 11:45 AM - Peak 1 of 1																					
Peak Hour for Entire Intersection Begins at 07:45 AM																					
07:45 AM	2	36	0	1	39	2	1	0	3	6	0	60	2	2	64	5	2	11	0	18	127
08:00 AM	2	39	0	3	44	2	0	0	1	3	0	40	6	0	46	10	0	4	3	17	110
08:15 AM	2	44	1	1	48	1	2	0	0	3	0	62	11	0	73	9	0	5	3	17	141
08:30 AM	2	46	0	0	48	0	0	0	1	1	0	59	4	0	63	10	1	5	0	16	128
Total Volume	8	165	1	5	179	5	3	0	5	13	0	221	23	2	246	34	3	25	6	68	506
% App. Total	4.5	92.2	0.6	2.8		38.5	23.1	0	38.5		0	89.8	9.3	0.8		50	4.4	36.8	8.8		
PHF	1.00	.897	.250	.417	.932	.625	.375	.000	.417	.542	.000	.891	.523	.250	.842	.850	.375	.568	.500	.944	.897



TH 5 & Western Ave/Michigan St
7-9am & 4-6pm
vehicles, heavy trucks, peds
day 1

File Name : site 41-TH 5 & Western Ave-Michigan St-day 1
Site Code : 41
Start Date : 4/5/2022
Page No : 3

Start Time	TH 5 From North					Michigan St/Western Ave From East					TH 5 From South					Michigan St/Western Ave From West					Int. Total
	Rig ht	Thr u	Left	Ped s	App. Total	Rig ht	Thr u	Left	Ped s	App. Total	Right	Thr u	Left	Peds	App. Total	Right	Thr u	Left	Peds	App. Total	
Peak Hour Analysis From 12:00 PM to 05:45 PM - Peak 1 of 1																					
Peak Hour for Entire Intersection Begins at 04:30 PM																					
04:30 PM	5	72	3	0	80	2	0	0	5	7	1	60	14	5	80	14	1	6	5	26	193
04:45 PM	5	51	1	2	59	4	0	1	1	6	2	87	12	0	101	11	0	5	2	18	184
05:00 PM	11	80	3	1	95	2	0	1	4	7	1	79	11	1	92	16	2	8	6	32	226
05:15 PM	3	58	0	0	61	1	0	1	1	3	3	66	8	0	77	11	0	9	0	20	161
Total Volume	24	261	7	3	295	9	0	3	11	23	7	292	45	6	350	52	3	28	13	96	764
% App. Total	8.1	88.5	2.4	1		39.1	0	13	47.8		2	83.4	12.9	1.7		54.2	3.1	29.2	13.5		
PHF	.545	.816	.583	.375	.776	.563	.000	.750	.550	.821	.583	.839	.804	.300	.866	.813	.375	.778	.542	.750	.845

