



MINNESOTA DEPT OF TRANSPORTATION

TRAFFIC DATA COLLECTION - METRO

TH-5 AT JAMACA AVE/STILLWATER BLVD
 REF.PT.: 196.015
 JAMAR # 631 RE
 TURN MOVEMENT COUNT

File Name : TH-5 AT JAMACA AVE 2007
 Site Code : 00000000
 Start Date : 5/2/2007
 Page No : 1

Groups Printed- Cars & Trucks

Start Time	JAMACA AVE. N. Southbound				TH-5 Westbound				STILLWATER BLVD N. Northbound				TH-5 Eastbound				Int. Total
	Left	Thru	Right	Peds	Left	Thru	Right	Peds	Left	Thru	Right	Peds	Left	Thru	Right	Peds	
06:00	1	2	9	0	20	63	1	0	0	0	8	0	3	17	0	0	124
06:15	1	7	10	1	25	102	0	0	1	1	17	0	0	33	1	0	199
06:30	0	14	14	0	46	81	0	0	6	1	30	0	1	48	2	0	243
06:45	1	7	17	0	39	134	1	0	0	1	19	0	3	59	3	0	284
Total	3	30	50	1	130	380	2	0	7	3	74	0	7	157	6	0	850
07:00	7	13	23	1	57	139	2	0	3	0	15	0	0	56	0	0	316
07:15	10	5	9	1	78	120	5	0	3	1	30	0	1	73	3	0	339
07:30	6	7	14	0	68	124	4	0	6	0	40	0	2	85	3	0	359
07:45	4	10	6	0	87	138	2	0	7	1	41	0	2	85	4	0	387
Total	27	35	52	2	290	521	13	0	19	2	126	0	5	299	10	0	1401
08:00	7	8	13	0	49	117	3	0	3	2	36	0	1	60	1	0	300
08:15	3	2	12	0	41	112	1	0	2	1	32	0	2	58	2	0	268
08:30	6	4	14	0	41	87	2	0	3	1	38	0	3	64	3	0	266
08:45	3	6	7	0	40	81	0	0	2	2	24	0	3	79	8	0	255
Total	19	20	46	0	171	397	6	0	10	6	130	0	9	261	14	0	1089
*** BREAK ***																	
14:45	2	3	5	0	26	77	5	0	1	2	32	0	11	79	4	0	247
Total	2	3	5	0	26	77	5	0	1	2	32	0	11	79	4	0	247
15:00	5	6	6	0	24	45	7	0	1	8	28	0	6	94	2	0	232
15:15	4	5	12	0	35	86	2	0	3	6	37	0	8	110	3	0	311
15:30	3	2	4	0	19	52	3	0	2	2	35	0	2	108	8	0	240
15:45	2	1	4	0	42	74	6	0	1	13	40	0	8	130	4	0	325
Total	14	14	26	0	120	257	18	0	7	29	140	0	24	442	17	0	1108
16:00	3	4	8	0	39	69	3	0	3	8	61	0	15	110	7	0	330
16:15	4	4	5	0	36	72	1	0	3	6	55	0	10	148	1	0	345
16:30	6	8	4	0	34	78	5	0	2	10	61	0	12	151	2	0	373
16:45	4	8	4	0	47	76	6	1	3	15	53	1	13	176	6	0	413
Total	17	24	21	0	156	295	15	1	11	39	230	1	50	585	16	0	1461
17:00	6	6	8	0	51	88	4	0	6	13	68	0	12	132	1	0	395
17:15	2	8	10	1	47	78	8	0	1	17	74	0	12	151	3	0	412
17:30	6	6	6	0	44	66	5	0	1	8	65	0	20	140	1	0	368
17:45	6	4	8	3	41	58	5	0	0	8	53	0	18	130	4	0	338
Total	20	24	32	4	183	290	22	0	8	46	260	0	62	553	9	0	1513
Grand Total	102	150	232	7	1076	2217	81	1	63	127	992	1	168	2376	76	0	7669
Apprch %	20.8	30.5	47.3	1.4	31.9	65.7	2.4	0	5.3	10.7	83.9	0.1	6.4	90.7	2.9	0	
Total %	1.3	2	3	0.1	14	28.9	1.1	0	0.8	1.7	12.9	0	2.2	31	1	0	



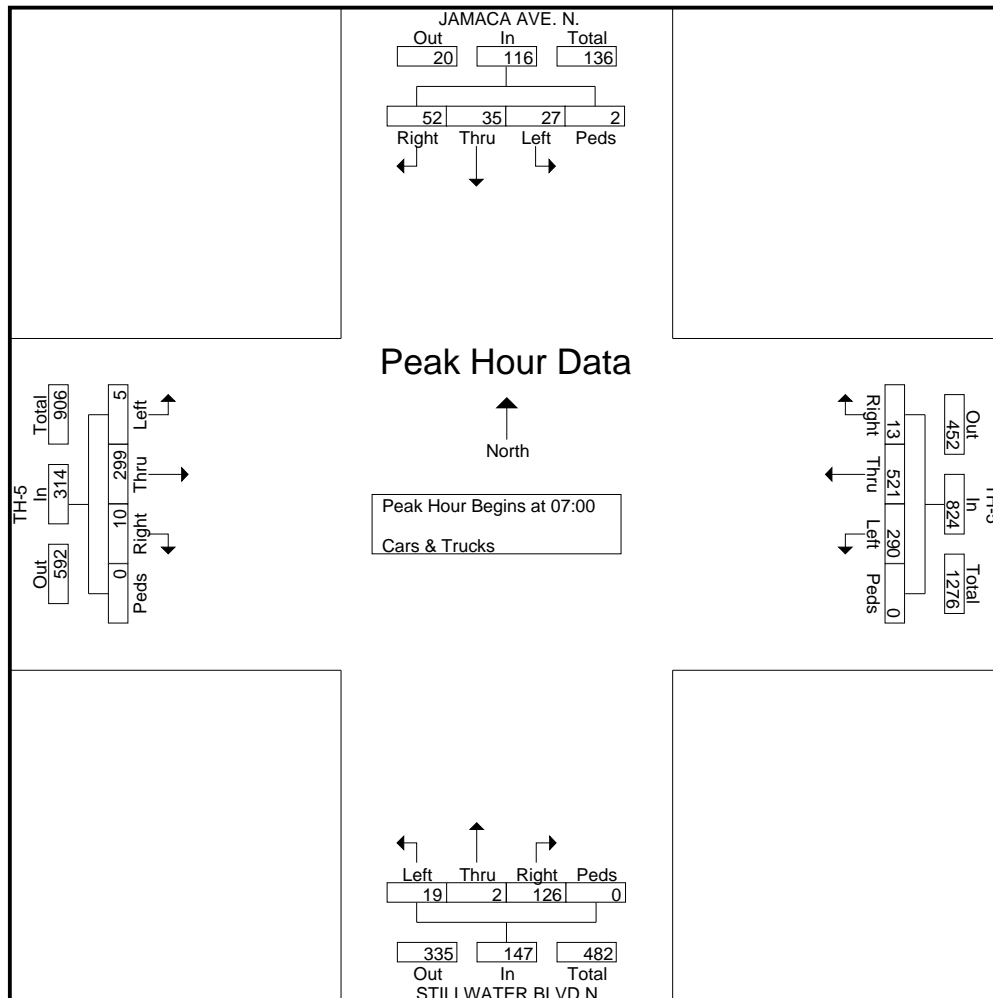
MINNESOTA DEPT OF TRANSPORTATION

TRAFFIC DATA COLLECTION - METRO

TH-5 AT JAMACA AVE/STILLWATER BLVD
 REF.PT.: 196.015
 JAMAR # 631 RE
 TURN MOVEMENT COUNT

File Name : TH-5 AT JAMACA AVE 2007
 Site Code : 00000000
 Start Date : 5/2/2007
 Page No : 2

Start Time	JAMACA AVE. N. Southbound					TH-5 Westbound					STILLWATER BLVD N. Northbound					TH-5 Eastbound					Int. Total
	Left	Thru	Right	Peds	App. Total	Left	Thru	Right	Peds	App. Total	Left	Thru	Right	Peds	App. Total	Left	Thru	Right	Peds	App. Total	
Peak Hour Analysis From 06:00 to 08:45 - Peak 1 of 1																					
Peak Hour for Entire Intersection Begins at 07:00																					
07:00	7	13	23	1	44	57	139	2	0	198	3	0	15	0	18	0	56	0	0	56	316
07:15	10	5	9	1	25	78	120	5	0	203	3	1	30	0	34	1	73	3	0	77	339
07:30	6	7	14	0	27	68	124	4	0	196	6	0	40	0	46	2	85	3	0	90	359
07:45	4	10	6	0	20	87	138	2	0	227	7	1	41	0	49	2	85	4	0	91	387
Total Volume	27	35	52	2	116	290	521	13	0	824	19	2	126	0	147	5	299	10	0	314	1401
% App. Total																					
PHF	.675	.673	.565	.500	.659	.833	.937	.650	.000	.907	.679	.500	.768	.000	.750	.625	.879	.625	.000	.863	.905





MINNESOTA DEPT OF TRANSPORTATION

TRAFFIC DATA COLLECTION - METRO

TH-5 AT JAMACA AVE/STILLWATER BLVD
 REF.PT.: 196.015
 JAMAR # 631 RE
 TURN MOVEMENT COUNT

File Name : TH-5 AT JAMACA AVE 2007
 Site Code : 00000000
 Start Date : 5/2/2007
 Page No : 3

Start Time	JAMACA AVE. N. Southbound					TH-5 Westbound					STILLWATER BLVD N. Northbound					TH-5 Eastbound					Int. Total
	Left	Thru	Right	Peds	App. Total	Left	Thru	Right	Peds	App. Total	Left	Thru	Right	Peds	App. Total	Left	Thru	Right	Peds	App. Total	
Peak Hour Analysis From 15:00 to 17:45 - Peak 1 of 1																					
Peak Hour for Entire Intersection Begins at 16:30																					
16:30	6	8	4	0	18	34	78	5	0	117	2	10	61	0	73	12	151	2	0	165	373
16:45	4	8	4	0	16	47	76	6	1	130	3	15	53	1	72	13	176	6	0	195	413
17:00	6	6	8	0	20	51	88	4	0	143	6	13	68	0	87	12	132	1	0	145	395
17:15	2	8	10	1	21	47	78	8	0	133	1	17	74	0	92	12	151	3	0	166	412
Total Volume	18	30	26	1	75	179	320	23	1	523	12	55	256	1	324	49	610	12	0	671	1593
% App. Total																					
PHF	.750	.938	.650	.250	.893	.877	.909	.719	.250	.914	.500	.809	.865	.250	.880	.942	.866	.500	.000	.860	.964

