



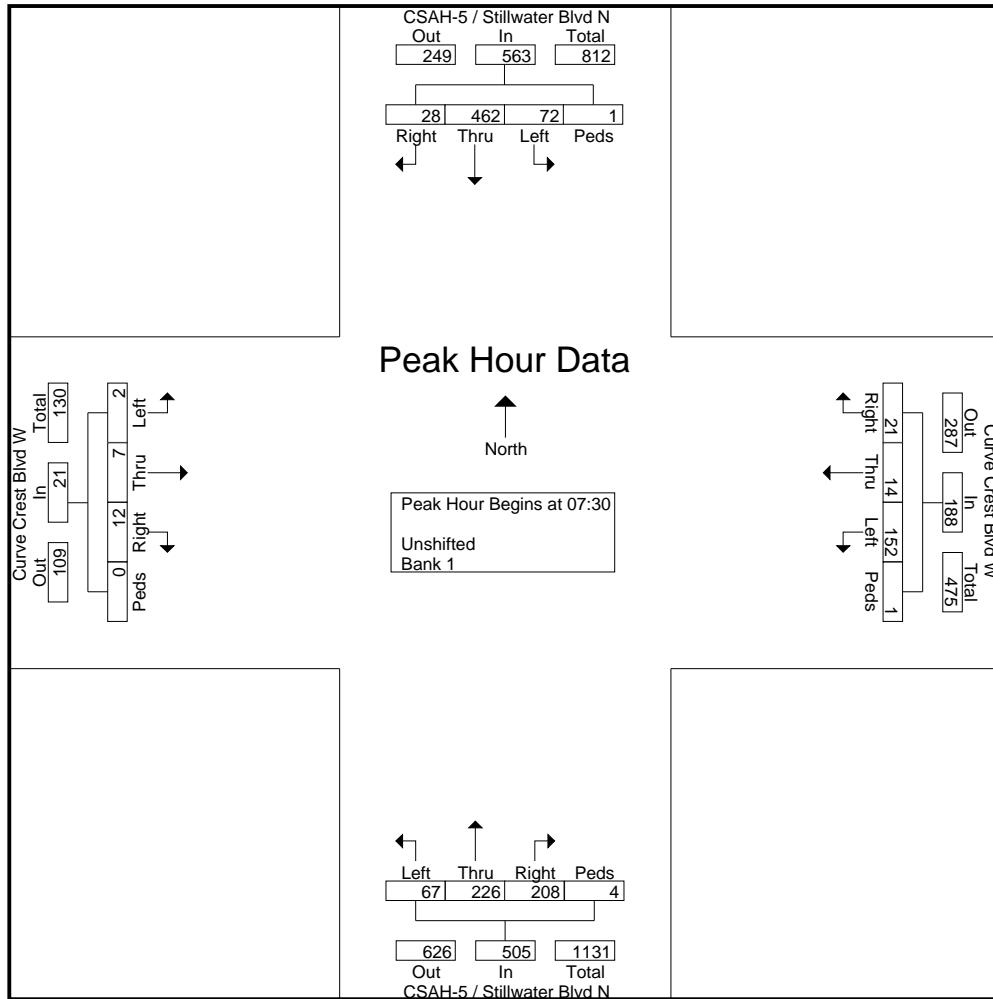


Traffic TURN MOVEMENT COUNT

CSAH-5/Stillwater Blvd at Curve Crest Bd  
 Ref.Pt.: STILLWATER  
 Data by:  
 TURN MOVEMENT COUNT

File Name : Not Named 8  
 Site Code : 0000033  
 Start Date : 7/28/2011  
 Page No : 3

Start Time	CSAH-5 / Stillwater Blvd N Southbound					Curve Crest Blvd W Westbound					CSAH-5 / Stillwater Blvd N Northbound					Curve Crest Blvd W Eastbound					Int. Total
	Left	Thru	Right	Peds	App. Total	Left	Thru	Right	Peds	App. Total	Left	Thru	Right	Peds	App. Total	Left	Thru	Right	Peds	App. Total	
Peak Hour Analysis From 06:00 to 08:45 - Peak 1 of 1																					
Peak Hour for Entire Intersection Begins at 07:30																					
07:30	15	136	3	0	154	31	3	6	1	41	15	57	47	1	120	0	2	1	0	3	318
07:45	24	116	16	0	156	39	5	6	0	50	22	74	53	0	149	0	1	4	0	5	360
08:00	19	117	4	1	141	35	5	4	0	44	16	49	45	1	111	1	1	2	0	4	300
08:15	14	93	5	0	112	47	1	5	0	53	14	46	63	2	125	1	3	5	0	9	299
Total Volume	72	462	28	1	563	152	14	21	1	188	67	226	208	4	505	2	7	12	0	21	1277
% App. Total	12.8	82.1	5	0.2		80.9	7.4	11.2	0.5		13.3	44.8	41.2	0.8		9.5	33.3	57.1	0		
PHF	.750	.849	.438	.250	.902	.809	.700	.875	.250	.887	.761	.764	.825	.500	.847	.500	.583	.600	.000	.583	.887



Traffic TURN MOVEMENT COUNT

CSAH-5/Stillwater Blvd at Curve Crest Bd  
 Ref.Pt.: STILLWATER  
 Data by:  
 TURN MOVEMENT COUNT

File Name : Not Named 8  
 Site Code : 0000033  
 Start Date : 7/28/2011  
 Page No : 4

Start Time	CSAH-5 / Stillwater Blvd N Southbound					Curve Crest Blvd W Westbound					CSAH-5 / Stillwater Blvd N Northbound					Curve Crest Blvd W Eastbound					Int. Total
	Left	Thru	Right	Peds	App. Total	Left	Thru	Right	Peds	App. Total	Left	Thru	Right	Peds	App. Total	Left	Thru	Right	Peds	App. Total	
Peak Hour Analysis From 15:00 to 18:45 - Peak 1 of 1																					
Peak Hour for Entire Intersection Begins at 16:30																					
16:30	40	76	0	0	116	94	3	38	2	137	8	114	102	1	225	2	11	28	0	41	519
16:45	30	84	0	0	114	68	2	36	3	109	6	154	105	2	267	1	6	20	1	28	518
17:00	32	111	1	0	144	91	8	35	2	136	7	125	93	0	225	7	11	17	0	35	540
17:15	29	104	2	0	135	93	2	34	0	129	5	145	89	0	239	0	1	11	0	12	515
Total Volume	131	375	3	0	509	346	15	143	7	511	26	538	389	3	956	10	29	76	1	116	2092
% App. Total	25.7	73.7	0.6	0		67.7	2.9	28	1.4		2.7	56.3	40.7	0.3		8.6	25	65.5	0.9		
PHF	.819	.845	.375	.000	.884	.920	.469	.941	.583	.932	.813	.873	.926	.375	.895	.357	.659	.679	.250	.707	.969

