

Associated Consulting Services (ACS)
 Roseville, MN 55113
 -- TRAFFIC DATA --

MN-51 at Osceola Ave_2021
 Data Prepared By: ACS
 TURNING MOVEMENT COUNT

File Name : MN-51 at Osceola Ave_2021
 Site Code :
 Start Date : 10/21/2021
 Page No : 1

Groups Printed- Cars - Trucks

Start Time	MN-51 Southbound				Osceola Ave Westbound				MN-51 Northbound				Parking lot entrance Eastbound				Int. Total
	Left	Thru	Right	Peds	Left	Thru	Right	Peds	Left	Thru	Right	Peds	Left	Thru	Right	Peds	
06:00	0	26	1	0	0	0	2	0	0	38	1	1	0	0	0	3	72
06:15	0	37	1	0	0	0	0	0	1	59	0	0	1	0	0	3	102
06:30	0	34	1	0	0	0	0	0	1	75	0	0	0	0	0	0	111
06:45	0	37	3	0	0	0	1	0	0	67	0	0	1	0	1	1	111
Total	0	134	6	0	0	0	3	0	2	239	1	1	2	0	1	7	396
07:00	2	51	0	0	1	0	3	0	0	53	0	0	0	0	0	4	114
07:15	0	58	0	0	0	1	0	1	0	81	0	0	0	0	0	2	143
07:30	1	84	0	0	0	0	1	0	0	115	0	0	0	0	0	3	204
07:45	0	115	1	0	1	0	0	0	0	115	1	1	0	0	0	4	238
Total	3	308	1	0	2	1	4	1	0	364	1	1	0	0	0	13	699
08:00	1	93	1	0	0	0	0	0	1	111	1	1	0	0	0	1	210
08:15	4	115	3	0	0	0	1	2	1	99	0	2	1	0	1	8	237
08:30	2	93	2	0	0	1	1	2	1	94	1	1	1	0	0	1	200
08:45	4	135	5	0	1	1	2	1	2	100	0	0	1	0	2	3	257
Total	11	436	11	0	1	2	4	5	5	404	2	4	3	0	3	13	904
09:00	2	107	2	0	0	1	1	2	1	117	1	1	0	0	0	3	238
09:15	4	122	8	0	1	0	1	5	1	121	0	0	0	0	1	6	270
09:30	4	112	4	0	0	0	2	6	3	134	1	2	1	0	2	4	275
09:45	1	125	4	0	0	1	2	2	2	128	3	1	0	0	0	4	273
Total	11	466	18	0	1	2	6	15	7	500	5	4	1	0	3	17	1056
10:00	5	127	5	0	1	0	1	0	1	120	1	1	1	0	0	3	266
10:15	1	117	7	0	0	2	1	3	2	133	2	2	2	0	1	2	275
10:30	1	110	3	0	0	0	1	4	2	139	0	1	0	0	1	6	268
10:45	2	140	10	0	1	3	3	4	1	135	1	1	1	0	3	6	311
Total	9	494	25	0	2	5	6	11	6	527	4	5	4	0	5	17	1120
11:00	2	113	3	0	0	0	3	2	1	126	1	0	4	1	6	5	267
11:15	1	141	4	0	0	0	2	3	0	125	0	2	1	1	2	7	289
11:30	3	117	3	0	0	0	1	1	4	151	0	4	1	0	0	6	291
11:45	4	127	4	0	1	1	3	1	2	135	1	1	3	0	2	13	298
Total	10	498	14	0	1	1	9	7	7	537	2	7	9	2	10	31	1145
12:00	3	142	7	0	0	0	4	5	0	141	2	0	3	2	2	14	325
12:15	1	173	2	0	1	0	0	2	0	140	0	0	0	1	5	11	336
12:30	5	152	4	0	0	0	1	4	2	137	0	0	5	0	6	20	336
12:45	5	145	2	0	2	1	2	5	1	144	2	0	4	0	1	21	335
Total	14	612	15	0	3	1	7	16	3	562	4	0	12	3	14	66	1332
13:00	0	155	3	0	1	0	1	3	1	136	1	1	4	2	4	12	324
13:15	1	146	2	0	2	0	0	3	0	130	1	0	2	0	1	6	294
13:30	2	140	2	0	0	0	0	9	1	136	3	1	4	0	1	4	303
13:45	3	148	3	0	0	0	2	1	2	137	1	0	2	1	2	7	309
Total	6	589	10	0	3	0	3	16	4	539	6	2	12	3	8	29	1230
14:00	3	157	1	0	0	0	2	1	1	159	1	0	6	1	0	10	342
14:15	1	142	3	0	0	0	1	6	1	137	0	1	1	1	2	3	299
14:30	5	162	0	0	0	0	1	2	1	138	3	1	2	0	1	6	322
14:45	3	163	3	0	0	0	1	5	1	133	2	4	2	0	3	9	329
Total	12	624	7	0	0	0	5	14	4	567	6	6	11	2	6	28	1292

Associated Consulting Services (ACS)
 Roseville, MN 55113
 -- TRAFFIC DATA --

MN-51 at Osceola Ave_2021
 Data Prepared By: ACS
 TURNING MOVEMENT COUNT

File Name : MN-51 at Osceola Ave_2021
 Site Code :
 Start Date : 10/21/2021
 Page No : 2

Groups Printed- Cars - Trucks

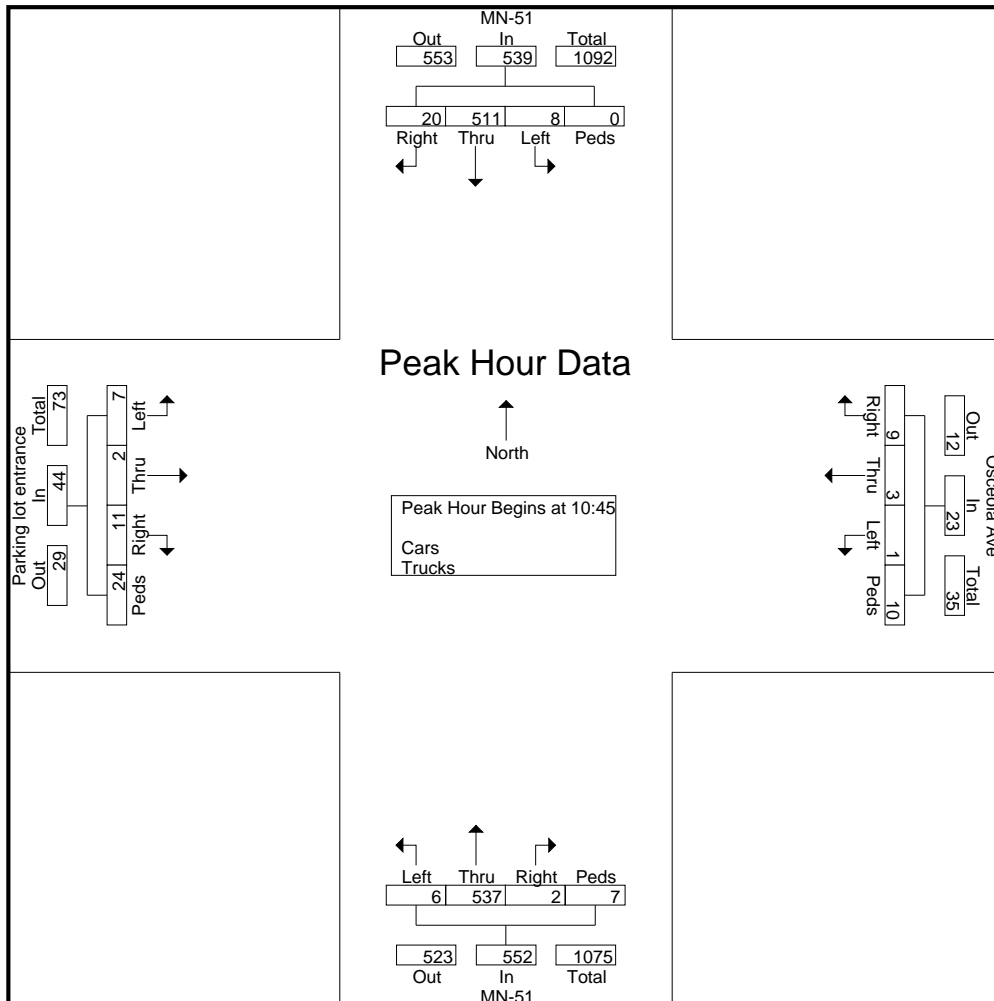
Start Time	MN-51 Southbound				Osceola Ave Westbound				MN-51 Northbound				Parking lot entrance Eastbound				Int. Total
	Left	Thru	Right	Peds	Left	Thru	Right	Peds	Left	Thru	Right	Peds	Left	Thru	Right	Peds	
15:00	4	143	3	0	1	0	1	5	2	138	1	5	2	0	3	9	317
15:15	4	164	2	0	0	0	2	8	1	141	1	1	2	0	1	7	334
15:30	2	159	2	0	0	0	0	7	2	135	2	2	1	0	3	10	325
15:45	3	175	3	0	0	1	0	4	1	121	0	2	1	0	3	3	317
Total	13	641	10	0	1	1	3	24	6	535	4	10	6	0	10	29	1293
16:00	7	172	10	0	1	3	2	6	4	144	0	1	1	0	4	7	362
16:15	2	177	5	0	0	1	0	4	3	132	0	3	2	0	1	7	337
16:30	3	192	2	0	0	0	0	6	1	154	0	2	1	0	4	8	373
16:45	5	187	0	2	0	0	0	7	0	135	0	9	4	0	1	3	353
Total	17	728	17	2	1	4	2	23	8	565	0	15	8	0	10	25	1425
17:00	3	142	0	0	0	0	1	3	0	152	3	3	2	0	2	2	313
17:15	3	201	0	1	0	0	5	5	1	142	1	1	1	0	1	3	365
17:30	6	217	2	0	0	0	2	3	0	133	1	0	2	0	1	9	376
17:45	5	157	1	0	0	0	2	2	0	139	1	1	1	0	0	7	316
Total	17	717	3	1	0	0	10	13	1	566	6	5	6	0	4	21	1370
Grand Total	123	6247	137	3	15	17	62	145	53	5905	41	60	74	10	74	296	13262
Apprch %	1.9	96	2.1	0	6.3	7.1	25.9	60.7	0.9	97.5	0.7	1	16.3	2.2	16.3	65.2	
Total %	0.9	47.1	1	0	0.1	0.1	0.5	1.1	0.4	44.5	0.3	0.5	0.6	0.1	0.6	2.2	
Cars	119	5802	136	3	15	17	60	145	53	5531	38	60	73	10	74	296	12432
% Cars	96.7	92.9	99.3	100	100	100	96.8	100	100	93.7	92.7	100	98.6	100	100	100	93.7
Trucks	4	445	1	0	0	0	2	0	0	374	3	0	1	0	0	0	830
% Trucks	3.3	7.1	0.7	0	0	0	3.2	0	0	6.3	7.3	0	1.4	0	0	0	6.3

Associated Consulting Services (ACS)
 Roseville, MN 55113
 -- TRAFFIC DATA --

MN-51 at Osceola Ave_2021
 Data Prepared By: ACS
 TURNING MOVEMENT COUNT

File Name : MN-51 at Osceola Ave_2021
 Site Code :
 Start Date : 10/21/2021
 Page No : 3

Start Time	MN-51 Southbound					Osceola Ave Westbound					MN-51 Northbound					Parking lot entrance Eastbound					Int. Total
	Left	Thru	Right	Peds	App. Total	Left	Thru	Right	Peds	App. Total	Left	Thru	Right	Peds	App. Total	Left	Thru	Right	Peds	App. Total	
Peak Hour Analysis From 06:00 to 11:45 - Peak 1 of 1																					
Peak Hour for Entire Intersection Begins at 10:45																					
10:45	2	140	10	0	152	1	3	3	4	11	1	135	1	1	138	1	0	3	6	10	311
11:00	2	113	3	0	118	0	0	3	2	5	1	126	1	0	128	4	1	6	5	16	267
11:15	1	141	4	0	146	0	0	2	3	5	0	125	0	2	127	1	1	2	7	11	289
11:30	3	117	3	0	123	0	0	1	1	2	4	151	0	4	159	1	0	0	6	7	291
Total Volume	8	511	20	0	539	1	3	9	10	23	6	537	2	7	552	7	2	11	24	44	1158
% App. Total	1.5	94.8	3.7	0		4.3	13	39.1	43.5		1.1	97.3	0.4	1.3		15.9	4.5	25	54.5		
PHF	.667	.906	.500	.000	.887	.250	.250	.750	.625	.523	.375	.889	.500	.438	.868	.438	.500	.458	.857	.688	.931



Associated Consulting Services (ACS)
 Roseville, MN 55113
 -- TRAFFIC DATA --

MN-51 at Osceola Ave_2021
 Data Prepared By: ACS
 TURNING MOVEMENT COUNT

File Name : MN-51 at Osceola Ave_2021
 Site Code :
 Start Date : 10/21/2021
 Page No : 4

Start Time	MN-51 Southbound					Osceola Ave Westbound					MN-51 Northbound					Parking lot entrance Eastbound					Int. Total
	Left	Thru	Right	Peds	App. Total	Left	Thru	Right	Peds	App. Total	Left	Thru	Right	Peds	App. Total	Left	Thru	Right	Peds	App. Total	
Peak Hour Analysis From 12:00 to 17:45 - Peak 1 of 1																					
Peak Hour for Entire Intersection Begins at 16:00																					
16:00	7	172	10	0	189	1	3	2	6	12	4	144	0	1	149	1	0	4	7	12	362
16:15	2	177	5	0	184	0	1	0	4	5	3	132	0	3	138	2	0	1	7	10	337
16:30	3	192	2	0	197	0	0	0	6	6	1	154	0	2	157	1	0	4	8	13	373
16:45	5	187	0	2	194	0	0	0	7	7	0	135	0	9	144	4	0	1	3	8	353
Total Volume	17	728	17	2	764	1	4	2	23	30	8	565	0	15	588	8	0	10	25	43	1425
% App. Total	2.2	95.3	2.2	0.3		3.3	13.3	6.7	76.7		1.4	96.1	0	2.6		18.6	0	23.3	58.1		
PHF	.607	.948	.425	.250	.970	.250	.333	.250	.821	.625	.500	.917	.000	.417	.936	.500	.000	.625	.781	.827	.955

