

SEH CONSULTING
Traffic Data Collection
TURN MOVEMENT COUNT

TH 51 (Snelling Ave) at Roselawn Avenue
Ref.Pt.: 006.854
data by SEH
TURN MOVEMENT COUNT

File Name : TH-51 at Roselawn Ave 2008
Site Code : 00000017
Start Date : 12/2/2008
Page No : 1

Groups Printed- Unshifted - Heavy Veh

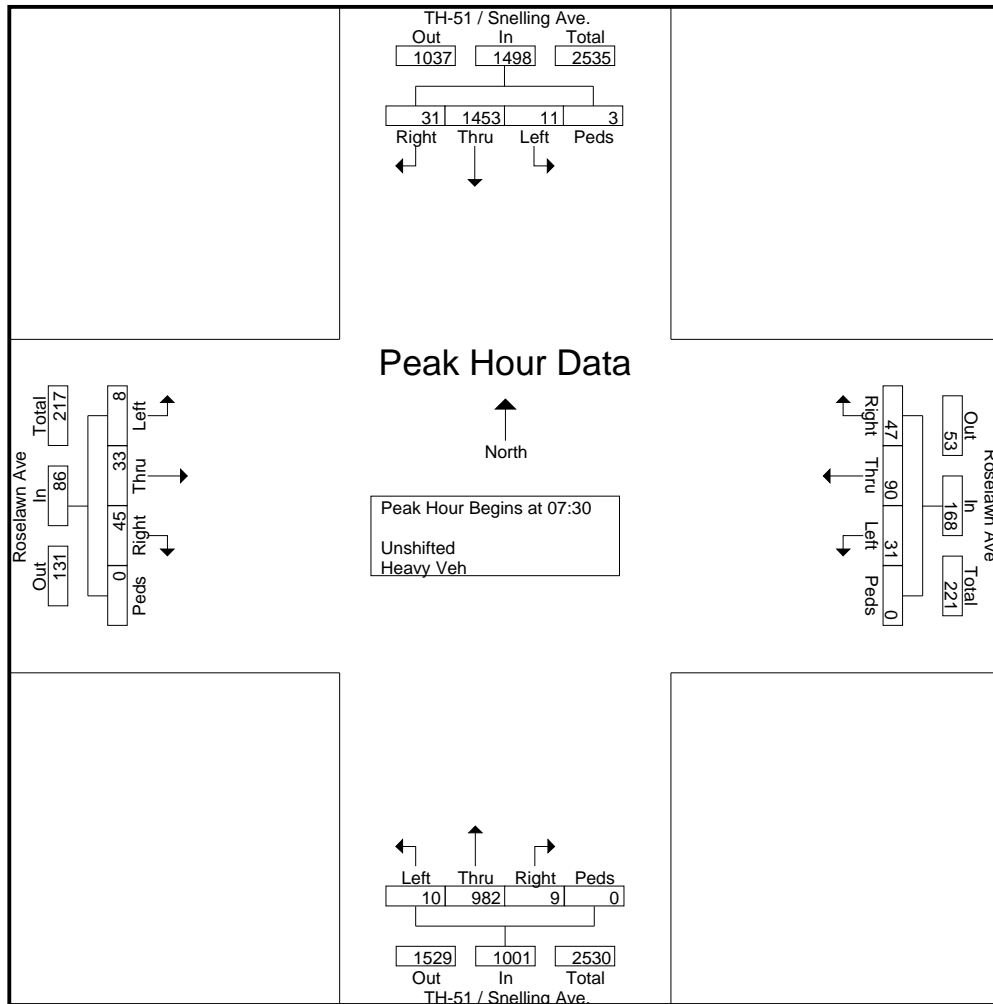
Start Time	TH-51 / Snelling Ave. Southbound				Roselawn Ave Westbound				TH-51 / Snelling Ave. Northbound				Roselawn Ave Eastbound				Int. Total
	Left	Thru	Right	Peds	Left	Thru	Right	Peds	Left	Thru	Right	Peds	Left	Thru	Right	Peds	
06:00	2	99	0	0	1	4	1	0	1	73	1	1	1	0	7	0	191
06:15	0	145	1	0	2	6	3	0	1	69	0	0	1	1	7	0	236
06:30	0	200	3	0	3	5	5	0	2	107	0	0	0	1	4	0	330
06:45	0	293	5	0	1	12	7	0	1	140	0	0	0	1	7	0	467
Total	2	737	9	0	7	27	16	0	5	389	1	1	2	3	25	0	1224
07:00	0	285	2	0	3	10	9	0	1	148	1	1	2	5	6	0	473
07:15	4	365	3	0	5	12	11	0	2	186	3	0	0	6	8	0	605
07:30	2	400	3	0	12	27	17	0	2	245	2	0	0	10	9	0	729
07:45	4	395	12	2	6	27	8	0	4	256	3	0	2	7	7	0	733
Total	10	1445	20	2	26	76	45	0	9	835	9	1	4	28	30	0	2540
08:00	2	342	10	0	6	21	12	0	3	256	1	0	1	10	12	0	676
08:15	3	316	6	1	7	15	10	0	1	225	3	0	5	6	17	0	615
08:30	7	327	10	0	3	11	4	0	2	238	4	0	3	7	19	0	635
08:45	6	266	8	1	1	7	8	0	2	211	2	0	6	11	19	0	548
Total	18	1251	34	2	17	54	34	0	8	930	10	0	15	34	67	0	2474
*** BREAK ***																	
11:00	6	183	5	0	3	11	6	0	1	230	1	1	4	9	8	0	468
11:15	1	197	3	0	0	7	8	0	3	273	3	0	5	5	13	0	518
11:30	9	245	3	0	2	8	12	0	0	294	7	0	3	12	11	0	606
11:45	10	251	5	0	6	10	8	0	5	337	3	0	7	5	11	0	658
Total	26	876	16	0	11	36	34	0	9	1134	14	1	19	31	43	0	2250
12:00	6	283	6	0	2	8	5	0	6	327	2	0	4	7	10	0	666
12:15	4	265	3	0	1	8	9	0	2	337	3	0	9	19	14	0	674
12:30	3	282	4	1	1	8	8	0	3	288	9	0	10	10	9	0	636
12:45	5	285	7	1	3	17	3	0	3	286	3	0	3	12	14	0	642
Total	18	1115	20	2	7	41	25	0	14	1238	17	0	26	48	47	0	2618
*** BREAK ***																	
15:00	9	262	5	0	0	11	6	0	3	343	7	0	8	10	11	0	675
15:15	12	288	8	0	2	15	14	0	7	370	6	0	11	15	9	0	757
15:30	6	273	4	1	3	12	7	0	4	414	6	0	5	26	6	0	767
15:45	8	312	4	0	1	23	8	0	4	402	12	0	4	16	11	0	805
Total	35	1135	21	1	6	61	35	0	18	1529	31	0	28	67	37	0	3004
16:00	5	251	7	1	1	15	10	0	3	461	8	0	6	32	13	0	813
16:15	3	306	8	1	4	13	13	0	2	458	8	0	6	26	16	0	864
16:30	6	292	10	0	6	14	11	0	4	440	6	0	12	27	21	0	849
16:45	12	315	1	1	4	15	6	0	4	488	8	0	9	40	28	0	931
Total	26	1164	26	3	15	57	40	0	13	1847	30	0	33	125	78	0	3457
17:00	10	298	5	3	3	17	11	0	2	433	5	0	13	48	27	0	875
17:15	3	369	10	0	1	12	5	0	1	496	8	0	9	41	31	0	986
17:30	6	321	7	2	1	12	10	0	2	414	11	0	13	44	26	0	869
17:45	17	325	10	0	0	4	5	0	3	381	6	0	8	30	14	0	803
Total	36	1313	32	5	5	45	31	0	8	1724	30	0	43	163	98	0	3533
Grand Total	171	9036	178	15	94	397	260	0	84	9626	142	3	170	499	425	0	21100
Apprch %	1.8	96.1	1.9	0.2	12.5	52.9	34.6	0	0.9	97.7	1.4	0	15.5	45.6	38.8	0	
Total %	0.8	42.8	0.8	0.1	0.4	1.9	1.2	0	0.4	45.6	0.7	0	0.8	2.4	2	0	
Unshifted	169	8876	176	15	92	388	257	0	84	9497	139	3	169	492	425	0	20782
% Unshifted	98.8	98.2	98.9	100	97.9	97.7	98.8	0	100	98.7	97.9	100	99.4	98.6	100	0	98.5
Heavy Veh	2	160	2	0	2	9	3	0	0	129	3	0	1	7	0	0	318
% Heavy Veh	1.2	1.8	1.1	0	2.1	2.3	1.2	0	0	1.3	2.1	0	0.6	1.4	0	0	1.5

SEH CONSULTING
Traffic Data Collection
TURN MOVEMENT COUNT

TH 51 (Snelling Ave) at Roselawn Avenue
Ref.Pt.: 006.854
data by SEH
TURN MOVEMENT COUNT

File Name : TH-51 at Roselawn Ave 2008
Site Code : 00000017
Start Date : 12/2/2008
Page No : 2

Start Time	TH-51 / Snelling Ave. Southbound					Roselawn Ave Westbound					TH-51 / Snelling Ave. Northbound					Roselawn Ave Eastbound					Int. Total
	Left	Thru	Right	Peds	App. Total	Left	Thru	Right	Peds	App. Total	Left	Thru	Right	Peds	App. Total	Left	Thru	Right	Peds	App. Total	
Peak Hour Analysis From 06:00 to 08:45 - Peak 1 of 1																					
Peak Hour for Entire Intersection Begins at 07:30																					
07:30	2	400	3	0	405	12	27	17	0	56	2	245	2	0	249	0	10	9	0	19	729
07:45	4	395	12	2	413	6	27	8	0	41	4	256	3	0	263	2	7	7	0	16	733
08:00	2	342	10	0	354	6	21	12	0	39	3	256	1	0	260	1	10	12	0	23	676
08:15	3	316	6	1	326	7	15	10	0	32	1	225	3	0	229	5	6	17	0	28	615
Total Volume	11	1453	31	3	1498	31	90	47	0	168	10	982	9	0	1001	8	33	45	0	86	2753
% App. Total	0.7	97	2.1	0.2		18.5	53.6	28	0		1	98.1	0.9	0		9.3	38.4	52.3	0		
PHF	.688	.908	.646	.375	.907	.646	.833	.691	.000	.750	.625	.959	.750	.000	.952	.400	.825	.662	.000	.768	.939



SEH CONSULTING
Traffic Data Collection
TURN MOVEMENT COUNT

TH 51 (Snelling Ave) at Roselawn Avenue
Ref.Pt.: 006.854
data by SEH
TURN MOVEMENT COUNT

File Name : TH-51 at Roselawn Ave 2008
Site Code : 0000017
Start Date : 12/2/2008
Page No : 3

Start Time	TH-51 / Snelling Ave. Southbound					Roselawn Ave Westbound					TH-51 / Snelling Ave. Northbound					Roselawn Ave Eastbound					Int. Total
	Left	Thru	Right	Peds	App. Total	Left	Thru	Right	Peds	App. Total	Left	Thru	Right	Peds	App. Total	Left	Thru	Right	Peds	App. Total	
Peak Hour Analysis From 15:00 to 17:45 - Peak 1 of 1																					
Peak Hour for Entire Intersection Begins at 16:45																					
16:45	12	315	1	1	329	4	15	6	0	25	4	488	8	0	500	9	40	28	0	77	931
17:00	10	298	5	3	316	3	17	11	0	31	2	433	5	0	440	13	48	27	0	88	875
17:15	3	369	10	0	382	1	12	5	0	18	1	496	8	0	505	9	41	31	0	81	986
17:30	6	321	7	2	336	1	12	10	0	23	2	414	11	0	427	13	44	26	0	83	869
Total Volume	31	1303	23	6	1363	9	56	32	0	97	9	1831	32	0	1872	44	173	112	0	329	3661
% App. Total	2.3	95.6	1.7	0.4		9.3	57.7	33	0		0.5	97.8	1.7	0		13.4	52.6	34	0		
PHF	.646	.883	.575	.500	.892	.563	.824	.727	.000	.782	.563	.923	.727	.000	.927	.846	.901	.903	.000	.935	.928

