

ALLIANT ENGINEERING, INC.

733 S Marquette Ave #700, Minneapolis, MN 55402

CSAH 23 (CR C) & Snelling Service Dr
 City: Roseville
 data by: Alliant Engineering, Inc.
 TURN MOVEMENT COUNT

File Name : CSAH 23 (CR C) & Snelling Service Dr_2021
 Site Code : 111
 Start Date : 10/13/2021
 Page No : 1

Groups Printed- Cars - Trucks

Start Time	Snelling Service Drive Southbound					CSAH 23 (CR C) Westbound					Driveway Northbound					CSAH 23 (CR C) Eastbound					Int. Total
	Left	Thru	Right	Peds	App. Total	Left	Thru	Right	Peds	App. Total	Left	Thru	Right	Peds	App. Total	Left	Thru	Right	Peds	App. Total	
06:00 AM	1	0	6	0	7	0	18	0	0	18	1	0	0	0	1	0	9	0	0	9	35
06:15 AM	0	0	6	0	6	0	23	4	0	27	0	0	0	0	0	4	12	2	0	18	51
06:30 AM	0	0	9	0	9	0	25	2	0	27	0	0	0	2	2	9	13	4	0	26	64
06:45 AM	3	0	3	0	6	1	40	6	0	47	0	0	0	0	0	8	24	4	0	36	89
Total	4	0	24	0	28	1	106	12	0	119	1	0	0	2	3	21	58	10	0	89	239
07:00 AM	2	0	5	0	7	0	38	5	0	43	1	0	1	0	2	10	24	5	0	39	91
07:15 AM	4	0	2	0	6	0	49	7	0	56	2	0	2	2	6	10	43	8	0	61	129
07:30 AM	0	0	6	0	6	1	53	10	0	64	4	0	1	0	5	15	40	6	0	61	136
07:45 AM	4	0	7	0	11	1	77	17	0	95	2	0	1	0	3	16	50	5	0	71	180
Total	10	0	20	0	30	2	217	39	0	258	9	0	5	2	16	51	157	24	0	232	536
08:00 AM	3	1	6	0	10	1	78	13	1	93	1	1	3	0	5	20	65	6	1	92	200
08:15 AM	3	0	8	0	11	1	59	8	0	68	4	0	0	0	4	30	46	6	0	82	165
08:30 AM	2	0	11	0	13	0	60	7	0	67	4	0	5	0	9	25	50	3	0	78	167
08:45 AM	7	0	13	0	20	0	73	13	0	86	1	0	0	0	1	27	52	2	0	81	188
Total	15	1	38	0	54	2	270	41	1	314	10	1	8	0	19	102	213	17	1	333	720
09:00 AM	8	0	6	0	14	0	62	7	0	69	2	0	0	0	2	22	47	6	0	75	160
09:15 AM	7	0	19	0	26	0	52	10	0	62	4	0	1	0	5	19	42	1	0	62	155
*** BREAK ***																					
Total	15	0	25	0	40	0	114	17	0	131	6	0	1	0	7	41	89	7	0	137	315
*** BREAK ***																					
10:30 AM	12	0	11	0	23	2	58	11	0	71	0	0	0	0	0	17	60	0	0	77	171
10:45 AM	5	0	16	0	21	0	71	13	0	84	3	0	0	0	3	25	70	2	0	97	205
Total	17	0	27	0	44	2	129	24	0	155	3	0	0	0	3	42	130	2	0	174	376
11:00 AM	13	0	28	0	41	0	69	15	0	84	2	0	0	0	2	30	59	1	0	90	217
11:15 AM	7	0	35	0	42	0	78	13	1	92	0	0	0	2	2	37	67	1	0	105	241
11:30 AM	11	0	29	0	40	0	84	6	0	90	4	0	1	1	6	46	69	4	0	119	255
11:45 AM	13	0	41	1	55	1	86	11	0	98	1	0	0	1	2	41	65	5	0	111	266
Total	44	0	133	1	178	1	317	45	1	364	7	0	1	4	12	154	260	11	0	425	979
12:00 PM	14	0	37	0	51	0	81	12	0	93	2	0	0	0	2	54	68	0	0	122	268
12:15 PM	11	0	26	0	37	0	66	13	0	79	1	0	0	1	2	29	99	0	0	128	246
12:30 PM	12	0	50	0	62	0	81	11	0	92	1	0	0	2	3	42	79	2	0	123	280
12:45 PM	15	0	38	0	53	0	95	16	0	111	0	0	0	1	1	41	98	1	0	140	305
Total	52	0	151	0	203	0	323	52	0	375	4	0	0	4	8	166	344	3	0	513	1099
*** BREAK ***																					
02:30 PM	14	0	28	0	42	0	57	15	0	72	0	0	0	2	2	34	78	1	0	113	229
02:45 PM	8	0	39	0	47	0	80	10	0	90	0	0	1	0	1	30	95	0	0	125	263
Total	22	0	67	0	89	0	137	25	0	162	0	0	1	2	3	64	173	1	0	238	492
03:00 PM	13	0	32	0	45	0	82	13	0	95	0	0	2	0	2	29	108	0	0	137	279
03:15 PM	8	0	26	1	35	0	98	10	0	108	0	0	0	0	0	32	106	1	0	139	282
03:30 PM	23	0	26	0	49	1	78	15	0	94	0	1	0	2	3	25	117	0	0	142	288
03:45 PM	15	0	17	0	32	0	69	13	0	82	1	0	0	0	1	32	104	1	0	137	252
Total	59	0	101	1	161	1	327	51	0	379	1	1	2	2	6	118	435	2	0	555	1101
04:00 PM	25	0	39	0	64	0	55	9	0	64	0	0	1	1	2	39	114	0	0	153	283
04:15 PM	16	0	32	0	48	0	67	9	0	76	0	1	1	0	2	26	99	0	0	125	251
04:30 PM	18	0	24	0	42	0	70	5	0	75	0	0	1	0	1	43	109	0	0	152	270

ALLIANT ENGINEERING, INC.

733 S Marquette Ave #700, Minneapolis, MN 55402

CSAH 23 (CR C) & Snelling Service Dr
 City: Roseville
 data by: Alliant Engineering, Inc.
 TURN MOVEMENT COUNT

File Name : CSAH 23 (CR C) & Snelling Service Dr_2021
 Site Code : 111
 Start Date : 10/13/2021
 Page No : 2

Groups Printed- Cars - Trucks

Start Time	Snelling Service Drive Southbound					CSAH 23 (CR C) Westbound					Driveway Northbound					CSAH 23 (CR C) Eastbound					Int. Total
	Left	Thru	Right	Peds	App. Total	Left	Thru	Right	Peds	App. Total	Left	Thru	Right	Peds	App. Total	Left	Thru	Right	Peds	App. Total	
04:45 PM	18	0	30	0	48	0	86	26	0	112	1	0	0	1	2	30	136	0	1	167	329
Total	77	0	125	0	202	0	278	49	0	327	1	1	3	2	7	138	458	0	1	597	1133
05:00 PM	22	0	22	0	44	0	77	12	0	89	0	0	1	2	3	30	104	0	1	135	271
05:15 PM	14	0	25	0	39	0	67	9	0	76	0	0	1	2	3	24	126	0	0	150	268
05:30 PM	21	0	20	0	41	0	61	19	0	80	0	0	0	0	0	31	99	0	0	130	251
05:45 PM	10	1	20	0	31	0	67	11	0	78	0	0	0	0	0	29	90	0	0	119	228
Total	67	1	87	0	155	0	272	51	0	323	0	0	2	4	6	114	419	0	1	534	1018
06:00 PM	12	0	27	0	39	0	50	4	0	54	0	0	1	1	2	23	71	0	0	94	189
06:15 PM	10	1	27	0	38	2	60	10	1	73	0	0	3	1	4	33	99	0	0	132	247
Grand Total	404	3	852	2	1261	11	2600	420	3	3034	42	3	27	24	96	1067	2906	77	3	4053	8444
Apprch %	32	0.2	67.6	0.2		0.4	85.7	13.8	0.1		43.8	3.1	28.1	25		26.3	71.7	1.9	0.1		
Total %	4.8	0	10.1	0	14.9	0.1	30.8	5	0	35.9	0.5	0	0.3	0.3	1.1	12.6	34.4	0.9	0	48	
Cars	398	3	837	2	1240	10	2539	412	3	2964	38	3	26	10	77	1049	2846	72	2	3969	8250
% Cars	98.5	100	98.2	100	98.3	90.9	97.7	98.1	100	97.7	90.5	100	96.3	41.7	80.2	98.3	97.9	93.5	66.7	97.9	97.7
Trucks	6	0	15	0	21	1	61	8	0	70	4	0	1	14	19	18	60	5	1	84	194
% Trucks	1.5	0	1.8	0	1.7	9.1	2.3	1.9	0	2.3	9.5	0	3.7	58.3	19.8	1.7	2.1	6.5	33.3	2.1	2.3

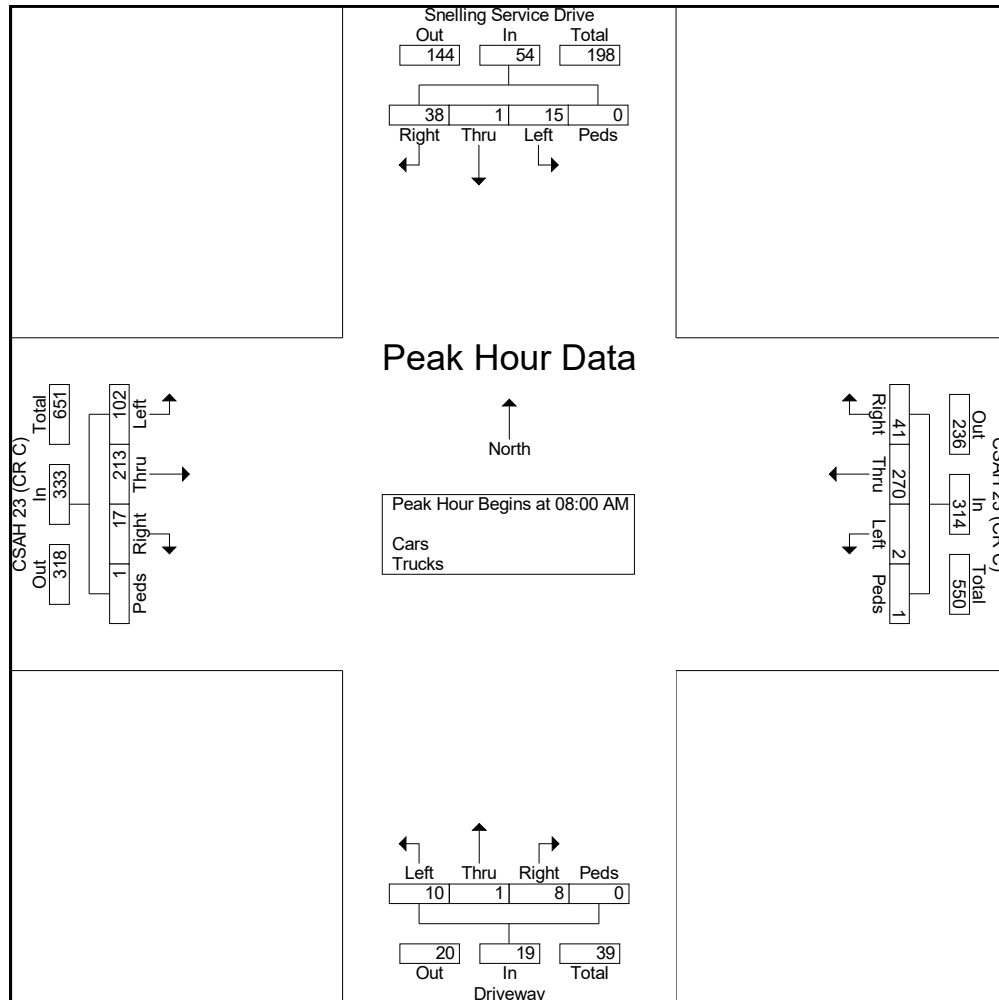
ALLIANT ENGINEERING, INC.

733 S Marquette Ave #700, Minneapolis, MN 55402

CSAH 23 (CR C) & Snelling Service Dr
 City: Roseville
 data by: Alliant Engineering, Inc.
 TURN MOVEMENT COUNT

File Name : CSAH 23 (CR C) & Snelling Service Dr_2021
 Site Code : 111
 Start Date : 10/13/2021
 Page No : 3

Start Time	Snelling Service Drive Southbound					CSAH 23 (CR C) Westbound					Driveway Northbound					CSAH 23 (CR C) Eastbound					Int. Total
	Left	Thru	Right	Peds	App. Total	Left	Thru	Right	Peds	App. Total	Left	Thru	Right	Peds	App. Total	Left	Thru	Right	Peds	App. Total	
Peak Hour Analysis From 06:00 AM to 09:45 AM - Peak 1 of 1																					
Peak Hour for Entire Intersection Begins at 08:00 AM																					
08:00 AM	3	1	6	0	10	1	78	13	1	93	1	1	3	0	5	20	65	6	1	92	200
08:15 AM	3	0	8	0	11	1	59	8	0	68	4	0	0	0	4	30	46	6	0	82	165
08:30 AM	2	0	11	0	13	0	60	7	0	67	4	0	5	0	9	25	50	3	0	78	167
08:45 AM	7	0	13	0	20	0	73	13	0	86	1	0	0	0	1	27	52	2	0	81	188
Total Volume	15	1	38	0	54	2	270	41	1	314	10	1	8	0	19	102	213	17	1	333	720
% App. Total	27.8	1.9	70.4	0		0.6	86	13.1	0.3		52.6	5.3	42.1	0		30.6	64	5.1	0.3		
PHF	.536	.250	.731	.000	.675	.500	.865	.788	.250	.844	.625	.250	.400	.000	.528	.850	.819	.708	.250	.905	.900



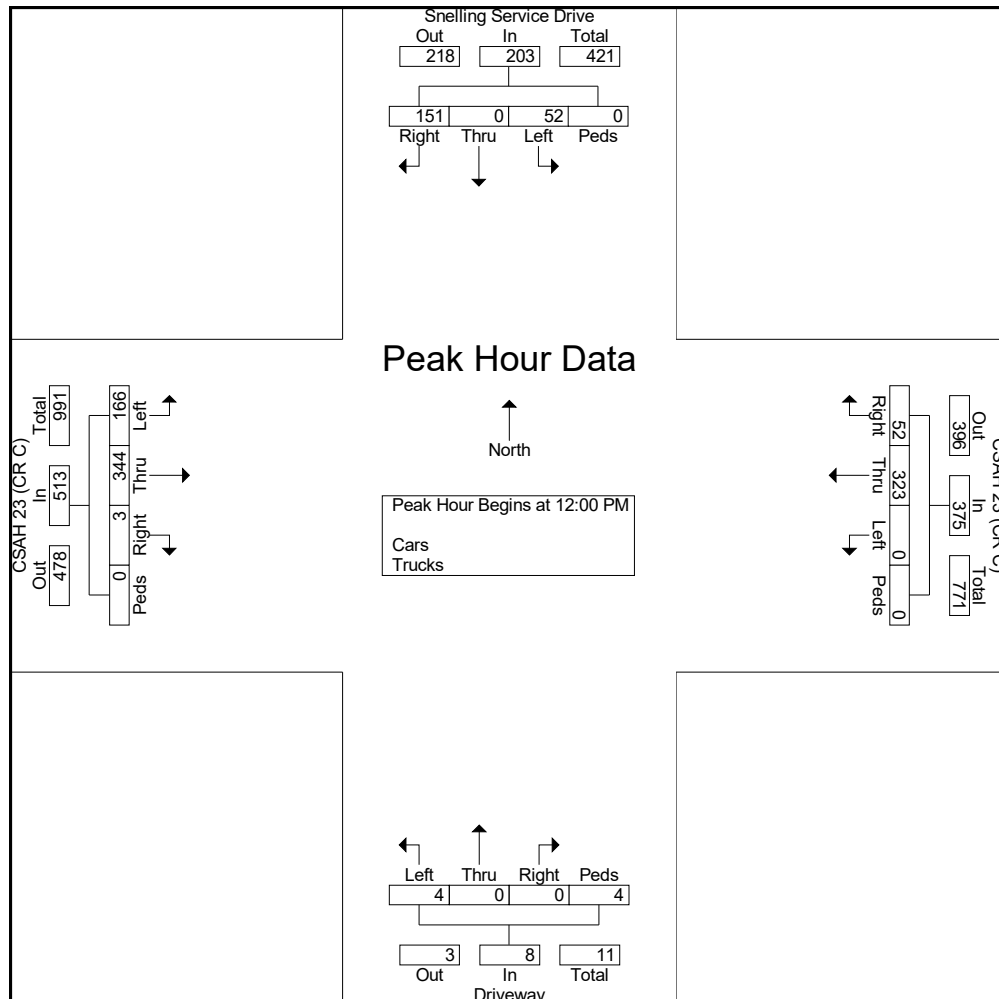
ALLIANT ENGINEERING, INC.

733 S Marquette Ave #700, Minneapolis, MN 55402

CSAH 23 (CR C) & Snelling Service Dr
 City: Roseville
 data by: Alliant Engineering, Inc.
 TURN MOVEMENT COUNT

File Name : CSAH 23 (CR C) & Snelling Service Dr_2021
 Site Code : 111
 Start Date : 10/13/2021
 Page No : 4

Start Time	Snelling Service Drive Southbound					CSAH 23 (CR C) Westbound					Driveway Northbound					CSAH 23 (CR C) Eastbound					Int. Total
	Left	Thru	Right	Peds	App. Total	Left	Thru	Right	Peds	App. Total	Left	Thru	Right	Peds	App. Total	Left	Thru	Right	Peds	App. Total	
Peak Hour Analysis From 10:00 AM to 01:45 PM - Peak 1 of 1																					
Peak Hour for Entire Intersection Begins at 12:00 PM																					
12:00 PM	14	0	37	0	51	0	81	12	0	93	2	0	0	0	2	54	68	0	0	122	268
12:15 PM	11	0	26	0	37	0	66	13	0	79	1	0	0	1	2	29	99	0	0	128	246
12:30 PM	12	0	50	0	62	0	81	11	0	92	1	0	0	2	3	42	79	2	0	123	280
12:45 PM	15	0	38	0	53	0	95	16	0	111	0	0	0	1	1	41	98	1	0	140	305
Total Volume	52	0	151	0	203	0	323	52	0	375	4	0	0	4	8	166	344	3	0	513	1099
% App. Total	25.6	0	74.4	0		0	86.1	13.9	0		50	0	0	50		32.4	67.1	0.6	0		
PHF	.867	.000	.755	.000	.819	.000	.850	.813	.000	.845	.500	.000	.000	.500	.667	.769	.869	.375	.000	.916	.901



ALLIANT ENGINEERING, INC.

733 S Marquette Ave #700, Minneapolis, MN 55402

CSAH 23 (CR C) & Snelling Service Dr
 City: Roseville
 data by: Alliant Engineering, Inc.
 TURN MOVEMENT COUNT

File Name : CSAH 23 (CR C) & Snelling Service Dr_2021
 Site Code : 111
 Start Date : 10/13/2021
 Page No : 5

Start Time	Snelling Service Drive Southbound					CSAH 23 (CR C) Westbound					Driveway Northbound					CSAH 23 (CR C) Eastbound					Int. Total
	Left	Thru	Right	Peds	App. Total	Left	Thru	Right	Peds	App. Total	Left	Thru	Right	Peds	App. Total	Left	Thru	Right	Peds	App. Total	
Peak Hour Analysis From 02:00 PM to 06:15 PM - Peak 1 of 1																					
Peak Hour for Entire Intersection Begins at 04:30 PM																					
04:30 PM	18	0	24	0	42	0	70	5	0	75	0	0	1	0	1	43	109	0	0	152	270
04:45 PM	18	0	30	0	48	0	86	26	0	112	1	0	0	1	2	30	136	0	1	167	329
05:00 PM	22	0	22	0	44	0	77	12	0	89	0	0	1	2	3	30	104	0	1	135	271
05:15 PM	14	0	25	0	39	0	67	9	0	76	0	0	1	2	3	24	126	0	0	150	268
Total Volume	72	0	101	0	173	0	300	52	0	352	1	0	3	5	9	127	475	0	2	604	1138
% App. Total	41.6	0	58.4	0		0	85.2	14.8	0		11.1	0	33.3	55.6		21	78.6	0	0.3		
PHF	.818	.000	.842	.000	.901	.000	.872	.500	.000	.786	.250	.000	.750	.625	.750	.738	.873	.000	.500	.904	.865

