

SEH CONSULTING
Traffic Data Collection
TURN MOVEMENT COUNT

TH-51 / Snelling Ave at Co.Rd. C
Ref.Pt.: 008.377
data by SEH
TURN MOVEMENT COUNT

File Name : TH-51 at CoRd C 2008
Site Code : 00000202
Start Date : 11/20/2008
Page No : 1

Groups Printed- Unshifted - Heavy Veh

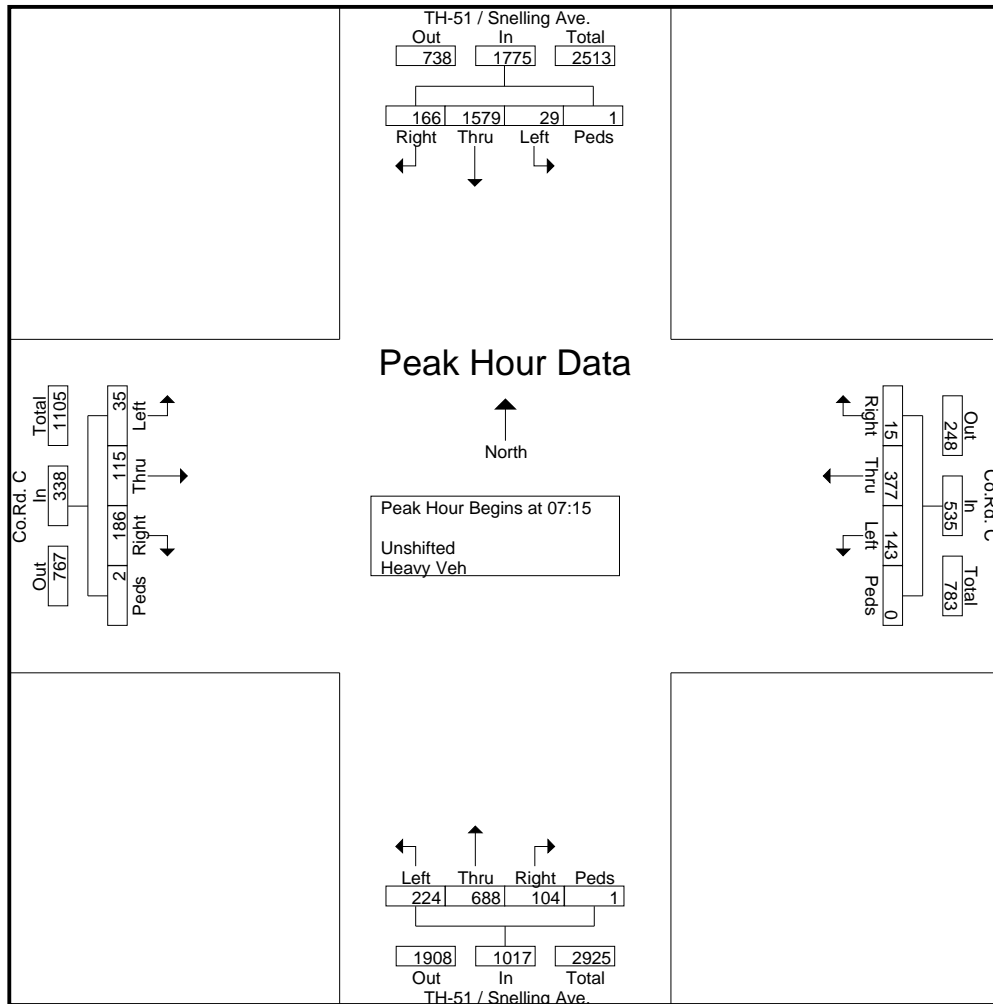
Start Time	TH-51 / Snelling Ave. Southbound				Co.Rd. C Westbound				TH-51 / Snelling Ave. Northbound				Co.Rd. C Eastbound				Int. Total
	Left	Thru	Right	Peds	Left	Thru	Right	Peds	Left	Thru	Right	Peds	Left	Thru	Right	Peds	
06:00	2	96	11	0	7	15	1	0	31	25	5	0	3	13	20	0	229
06:15	2	151	17	0	10	22	4	0	40	35	17	0	3	16	19	0	336
06:30	4	235	18	0	13	39	3	1	59	77	20	0	3	19	28	0	519
06:45	2	274	42	0	23	39	3	0	43	74	27	0	8	22	36	0	593
Total	10	756	88	0	53	115	11	1	173	211	69	0	17	70	103	0	1677
07:00	4	353	31	1	27	46	0	0	46	100	24	0	9	21	28	0	690
07:15	4	393	37	0	38	88	1	0	43	138	20	1	6	27	39	0	835
07:30	6	427	50	1	34	87	5	0	61	202	29	0	9	24	58	0	993
07:45	11	401	42	0	39	106	4	0	55	161	24	0	7	32	42	2	926
Total	25	1574	160	2	138	327	10	0	205	601	97	1	31	104	167	2	3444
08:00	8	358	37	0	32	96	5	0	65	187	31	0	13	32	47	0	911
08:15	13	312	44	0	18	64	5	0	67	164	40	0	6	30	25	0	788
08:30	2	250	21	0	31	56	3	0	57	161	35	1	12	36	42	0	707
08:45	7	186	15	0	24	53	5	0	64	137	33	0	5	35	43	0	607
Total	30	1106	117	0	105	269	18	0	253	649	139	1	36	133	157	0	3013
*** BREAK ***																	
11:00	8	170	8	0	46	69	6	0	50	102	42	0	19	56	71	0	647
11:15	5	185	18	0	42	61	8	0	85	122	49	1	19	64	53	1	713
11:30	14	213	24	0	30	65	9	0	71	130	49	0	13	62	65	0	745
11:45	12	210	28	0	45	75	4	0	78	140	53	3	17	64	61	0	790
Total	39	778	78	0	163	270	27	0	284	494	193	4	68	246	250	1	2895
12:00	5	193	27	0	50	79	11	0	52	142	42	0	24	71	78	0	774
12:15	11	161	30	1	48	83	13	0	73	177	39	0	30	64	57	0	787
12:30	10	159	26	0	57	89	6	0	70	194	36	0	18	43	73	0	781
12:45	5	184	36	0	44	72	7	0	93	199	42	0	30	60	48	0	820
Total	31	697	119	1	199	323	37	0	288	712	159	0	102	238	256	0	3162
*** BREAK ***																	
15:00	6	172	14	0	42	73	8	0	53	250	40	0	15	46	54	1	774
15:15	5	202	14	0	40	67	13	0	50	257	41	0	12	45	55	0	801
15:30	6	197	16	0	39	84	8	0	66	355	30	0	33	71	71	3	979
15:45	7	179	25	0	51	83	9	0	94	292	43	0	47	81	62	3	976
Total	24	750	69	0	172	307	38	0	263	1154	154	0	107	243	242	7	3530
16:00	5	192	22	0	34	52	11	0	76	441	46	1	40	95	68	1	1084
16:15	11	191	24	0	53	70	12	1	64	382	44	1	59	106	91	0	1109
16:30	8	207	24	1	44	70	10	0	91	437	37	1	51	98	71	2	1152
16:45	13	229	24	0	50	74	17	0	72	424	45	2	59	105	88	0	1202
Total	37	819	94	1	181	266	50	1	303	1684	172	5	209	404	318	3	4547
17:00	4	223	18	0	44	114	18	0	87	413	35	0	44	133	96	0	1229
17:15	20	270	22	0	51	83	10	0	62	377	25	0	43	120	72	0	1155
17:30	20	234	22	0	31	62	17	0	83	419	52	0	69	142	87	0	1238
17:45	7	235	14	1	39	75	14	0	67	319	25	0	45	134	85	1	1061
Total	51	962	76	1	165	334	59	0	299	1528	137	0	201	529	340	1	4683
Grand Total	247	7442	801	5	1176	2211	250	2	2068	7033	1120	11	771	1967	1833	14	26951
Apprch %	2.9	87.6	9.4	0.1	32.3	60.8	6.9	0.1	20.2	68.7	10.9	0.1	16.8	42.9	40	0.3	
Total %	0.9	27.6	3	0	4.4	8.2	0.9	0	7.7	26.1	4.2	0	2.9	7.3	6.8	0.1	
Unshifted	242	7415	791	5	1166	2201	247	2	2033	7006	1113	11	759	1944	1783	14	26732
% Unshifted	98	99.6	98.8	100	99.1	99.5	98.8	100	98.3	99.6	99.4	100	98.4	98.8	97.3	100	99.2
Heavy Veh	5	27	10	0	10	10	3	0	35	27	7	0	12	23	50	0	219
% Heavy Veh	2	0.4	1.2	0	0.9	0.5	1.2	0	1.7	0.4	0.6	0	1.6	1.2	2.7	0	0.8

SEH CONSULTING
Traffic Data Collection
TURN MOVEMENT COUNT

TH-51 / Snelling Ave at Co.Rd. C
Ref.Pt.: 008.377
data by SEH
TURN MOVEMENT COUNT

File Name : TH-51 at CoRd C 2008
Site Code : 00000202
Start Date : 11/20/2008
Page No : 2

Start Time	TH-51 / Snelling Ave. Southbound					Co.Rd. C Westbound					TH-51 / Snelling Ave. Northbound					Co.Rd. C Eastbound					Int. Total
	Left	Thru	Right	Peds	App. Total	Left	Thru	Right	Peds	App. Total	Left	Thru	Right	Peds	App. Total	Left	Thru	Right	Peds	App. Total	
Peak Hour Analysis From 06:00 to 08:45 - Peak 1 of 1																					
Peak Hour for Entire Intersection Begins at 07:15																					
07:15	4	393	37	0	434	38	88	1	0	127	43	138	20	1	202	6	27	39	0	72	835
07:30	6	427	50	1	484	34	87	5	0	126	61	202	29	0	292	9	24	58	0	91	993
07:45	11	401	42	0	454	39	106	4	0	149	55	161	24	0	240	7	32	42	2	83	926
08:00	8	358	37	0	403	32	96	5	0	133	65	187	31	0	283	13	32	47	0	92	911
Total Volume	29	1579	166	1	1775	143	377	15	0	535	224	688	104	1	1017	35	115	186	2	338	3665
% App. Total	1.6	89	9.4	0.1		26.7	70.5	2.8	0		22	67.6	10.2	0.1		10.4	34	55	0.6		
PHF	.659	.924	.830	.250	.917	.917	.889	.750	.000	.898	.862	.851	.839	.250	.871	.673	.898	.802	.250	.918	.923



SEH CONSULTING
Traffic Data Collection
TURN MOVEMENT COUNT

TH-51 / Snelling Ave at Co.Rd. C
Ref.Pt.: 008.377
data by SEH
TURN MOVEMENT COUNT

File Name : TH-51 at CoRd C 2008
Site Code : 00000202
Start Date : 11/20/2008
Page No : 3

Start Time	TH-51 / Snelling Ave. Southbound					Co.Rd. C Westbound					TH-51 / Snelling Ave. Northbound					Co.Rd. C Eastbound					Int. Total
	Left	Thru	Right	Peds	App. Total	Left	Thru	Right	Peds	App. Total	Left	Thru	Right	Peds	App. Total	Left	Thru	Right	Peds	App. Total	

Peak Hour Analysis From 15:00 to 17:45 - Peak 1 of 1

Peak Hour for Entire Intersection Begins at 16:45

16:45	13	229	24	0	266	50	74	17	0	141	72	424	45	2	543	59	105	88	0	252	1202
17:00	4	223	18	0	245	44	114	18	0	176	87	413	35	0	535	44	133	96	0	273	1229
17:15	20	270	22	0	312	51	83	10	0	144	62	377	25	0	464	43	120	72	0	235	1155
17:30	20	234	22	0	276	31	62	17	0	110	83	419	52	0	554	69	142	87	0	298	1238
Total Volume	57	956	86	0	1099	176	333	62	0	571	304	1633	157	2	2096	215	500	343	0	1058	4824
% App. Total	5.2	87	7.8	0		30.8	58.3	10.9	0		14.5	77.9	7.5	0.1		20.3	47.3	32.4	0		
PHF	.713	.885	.896	.000	.881	.863	.730	.861	.000	.811	.874	.963	.755	.250	.946	.779	.880	.893	.000	.888	.974

