



MINNESOTA DEPT OF TRANSPORTATION

TRAFFIC DATA COLLECTION - METRO

Counted By: Matt K & Aimee
 Day of the Week: Wednesday
 Location: TH 55 & Fernbrook
 Project #: 5764

File Name : TH 55 @ FERNBROOK AV 2006
 Site Code : 07261012
 Start Date : 7/26/2006
 Page No : 1

Groups Printed- Unshifted

Start Time	Fernbrook Southbound					TH 55 Westbound					Fernbrook Northbound					TH 55 Eastbound					Int. Total
	Left	Thru	Right	Peds	App. Total	Left	Thru	Right	Peds	App. Total	Left	Thru	Right	Peds	App. Total	Left	Thru	Right	Peds	App. Total	
06:00	30	22	5	0	57	44	134	37	0	215	0	5	22	0	27	6	268	7	0	281	580
06:15	46	31	7	0	84	61	128	33	0	222	1	9	16	0	26	8	405	8	0	421	753
06:30	57	39	16	0	112	68	219	50	1	338	2	16	8	0	26	36	438	6	0	480	956
06:45	94	54	12	0	160	96	266	71	0	433	5	18	5	0	28	17	471	6	0	494	1115
Total	227	146	40	0	413	269	747	191	1	1208	8	48	51	0	107	67	1582	27	0	1676	3404
07:00	89	35	9	0	133	65	210	71	0	346	2	11	27	0	40	21	499	11	0	531	1050
07:15	97	26	19	0	142	63	244	80	0	387	1	28	32	0	61	24	375	15	0	414	1004
07:30	142	49	12	0	203	72	268	98	0	438	3	20	35	0	58	2	308	14	1	325	1024
07:45	80	57	21	0	158	83	285	98	0	466	6	25	25	0	56	18	314	13	2	347	1027
Total	408	167	61	0	636	283	1007	347	0	1637	12	84	119	0	215	65	1496	53	3	1617	4105
08:00	64	37	14	0	115	72	299	109	0	480	4	30	23	0	57	19	307	8	0	334	986
08:15	83	45	26	0	154	51	224	106	0	381	8	13	30	0	51	29	392	10	0	431	1017
08:30	104	47	14	0	165	35	256	83	0	374	4	18	30	0	52	19	300	13	0	332	923
08:45	70	36	17	0	123	58	279	104	0	441	6	22	22	0	50	44	394	12	0	450	1064
Total	321	165	71	0	557	216	1058	402	0	1676	22	83	105	0	210	111	1393	43	0	1547	3990
11:00	63	46	22	0	131	46	257	57	0	360	16	33	36	0	85	27	293	14	0	334	910
11:15	63	32	19	0	114	52	307	83	0	442	14	46	34	0	94	35	317	18	0	370	1020
11:30	87	53	22	0	162	45	272	88	0	405	18	42	42	0	102	35	296	8	0	339	1008
11:45	71	48	35	0	154	77	326	101	0	504	15	47	51	0	113	33	319	20	0	372	1143
Total	284	179	98	0	561	220	1162	329	0	1711	63	168	163	0	394	130	1225	60	0	1415	4081
12:00	94	70	35	0	199	60	291	83	0	434	23	71	44	0	138	39	311	30	0	380	1151
12:15	86	63	38	0	187	89	311	98	0	498	23	62	49	0	134	34	321	54	0	409	1228
12:30	85	63	39	0	187	64	299	84	0	447	19	60	49	0	128	36	349	24	0	409	1171
12:45	90	49	27	0	166	74	308	83	0	465	22	44	58	0	124	18	280	12	0	310	1065
Total	355	245	139	0	739	287	1209	348	0	1844	87	237	200	0	524	127	1261	120	0	1508	4615
15:00	62	17	20	1	100	45	369	64	0	478	18	38	58	0	114	16	221	7	0	244	936
15:15	48	14	17	0	79	35	407	55	0	497	8	43	53	0	104	27	254	7	0	288	968
15:30	62	24	26	1	113	28	398	65	0	491	14	71	85	0	170	15	209	4	0	228	1002
15:45	51	29	26	0	106	22	437	82	0	541	14	46	48	0	108	8	222	1	1	232	987
Total	223	84	89	2	398	130	1611	266	0	2007	54	198	244	0	496	66	906	19	1	992	3893
16:00	61	17	21	0	99	23	437	77	0	537	16	61	84	0	161	10	248	1	1	260	1057
16:15	52	23	12	1	88	21	485	80	0	586	15	61	53	0	129	19	225	6	0	250	1053
16:30	78	11	27	0	116	14	450	89	0	553	18	72	56	0	146	19	237	0	0	256	1071
16:45	78	17	39	0	134	19	467	113	0	599	25	67	44	0	136	19	212	1	0	232	1101
Total	269	68	99	1	437	77	1839	359	0	2275	74	261	237	0	572	67	922	8	1	998	4282
17:00	96	28	21	0	145	21	420	97	0	538	17	77	88	0	182	30	213	2	0	245	1110
17:15	65	23	33	0	121	28	454	88	0	570	18	77	37	0	132	20	241	7	0	268	1091
17:30	72	9	21	0	102	31	461	96	0	588	25	68	27	0	120	19	269	6	0	294	1104
17:45	27	10	25	0	62	24	471	95	0	590	15	56	19	0	90	19	177	5	0	201	943
Total	260	70	100	0	430	104	1806	376	0	2286	75	278	171	0	524	88	900	20	0	1008	4248
Grand Total	2347	1124	697	3	4171	1586	10439	2618	1	14644	395	1357	1290	0	3042	721	9685	350	5	10761	32618
Apprch %	56.3	26.9	16.7	0.1		10.8	71.3	17.9	0		13	44.6	42.4	0		6.7	90	3.3	0		
Total %	7.2	3.4	2.1	0	12.8	4.9	32	8	0	44.9	1.2	4.2	4	0	9.3	2.2	29.7	1.1	0	33	



MINNESOTA DEPT OF TRANSPORTATION

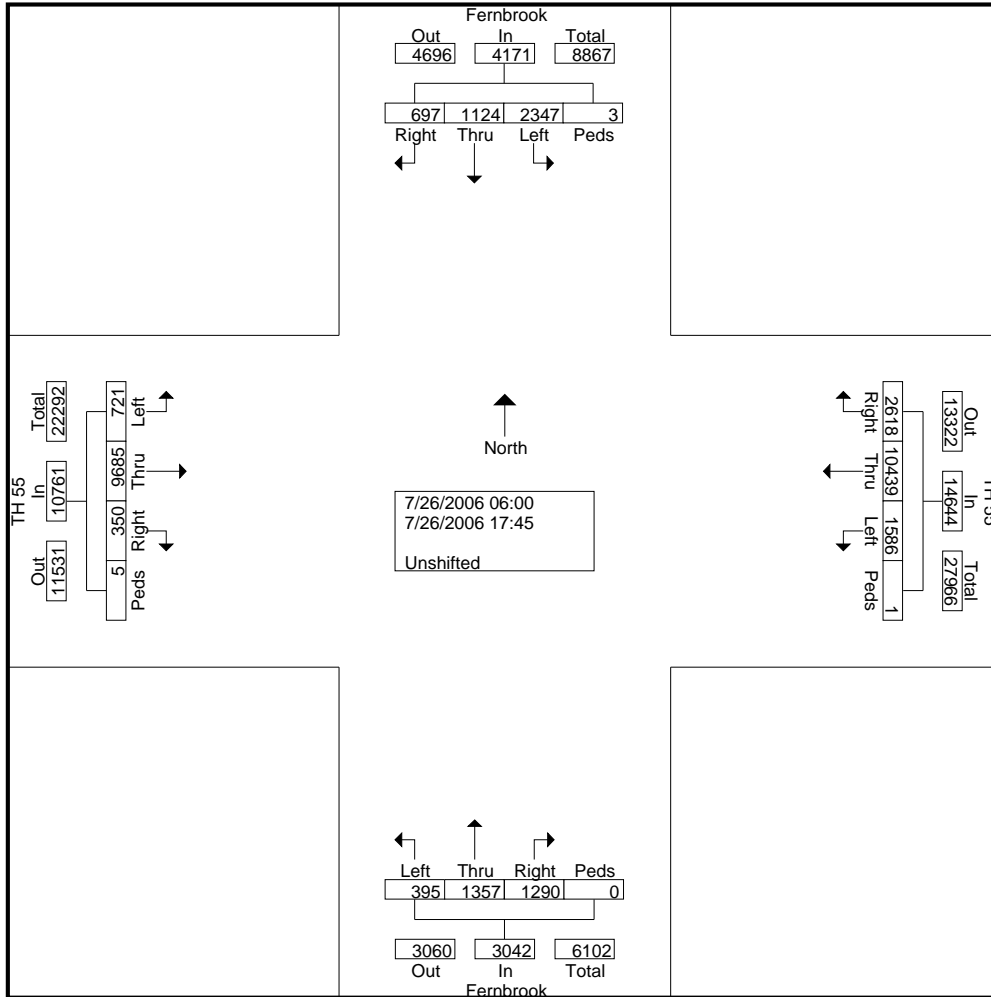
TRAFFIC DATA COLLECTION - METRO

File Name : TH 55 @ FERNBROOK AV 2006

Site Code : 07261012

Start Date : 7/26/2006

Page No : 2



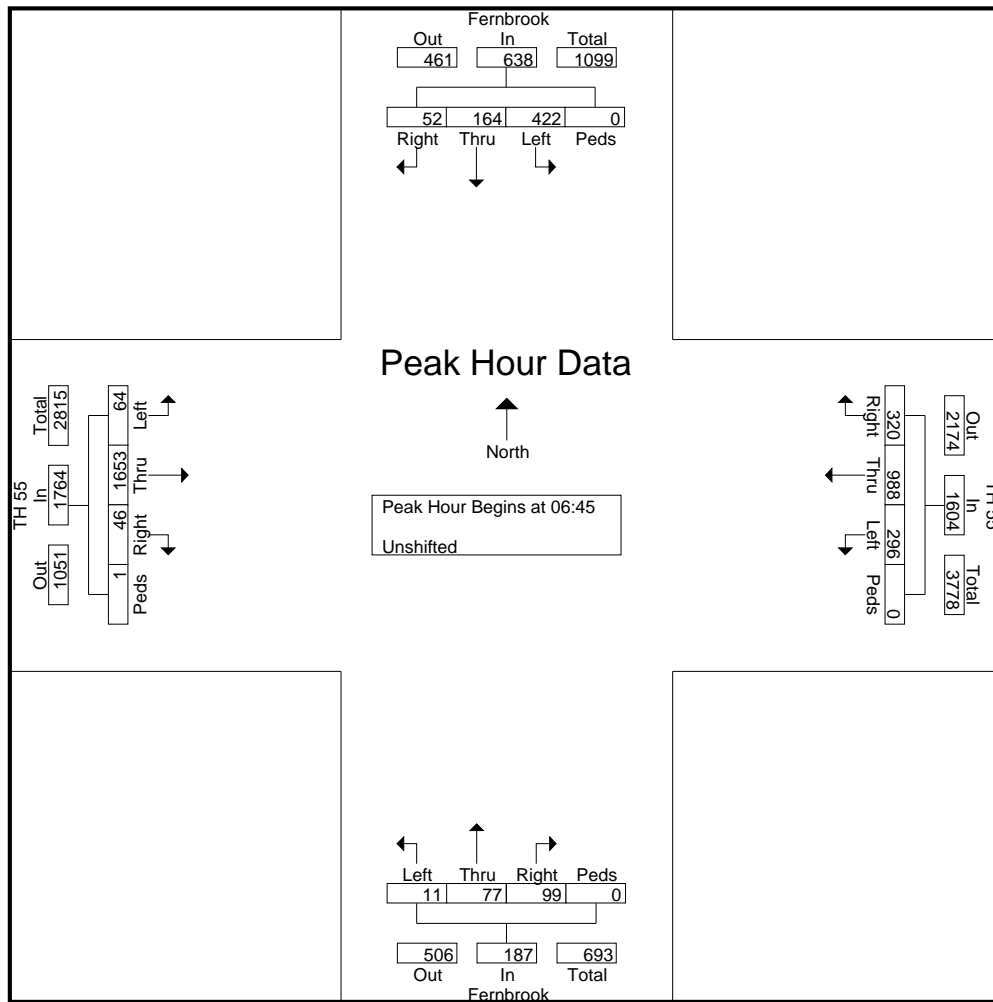


MINNESOTA DEPT OF TRANSPORTATION

TRAFFIC DATA COLLECTION - METRO

File Name : TH 55 @ FERNBROOK AV 2006
 Site Code : 07261012
 Start Date : 7/26/2006
 Page No : 3

Start Time	Fernbrook Southbound					TH 55 Westbound					Fernbrook Northbound					TH 55 Eastbound					Int. Total
	Left	Thru	Right	Peds	App. Total	Left	Thru	Right	Peds	App. Total	Left	Thru	Right	Peds	App. Total	Left	Thru	Right	Peds	App. Total	
Peak Hour Analysis From 06:00 to 09:45 - Peak 1 of 1																					
Peak Hour for Entire Intersection Begins at 06:45																					
06:45	94	54	12	0	160	96	266	71	0	433	5	18	5	0	28	17	471	6	0	494	1115
07:00	89	35	9	0	133	65	210	71	0	346	2	11	27	0	40	21	499	11	0	531	1050
07:15	97	26	19	0	142	63	244	80	0	387	1	28	32	0	61	24	375	15	0	414	1004
07:30	142	49	12	0	203	72	268	98	0	438	3	20	35	0	58	2	308	14	1	325	1024
Total Volume	422	164	52	0	638	296	988	320	0	1604	11	77	99	0	187	64	1653	46	1	1764	4193
% App. Total	66.1	25.7	8.2	0		18.5	61.6	20	0		5.9	41.2	52.9	0		3.6	93.7	2.6	0.1		
PHF	.743	.759	.684	.000	.786	.771	.922	.816	.000	.916	.550	.688	.707	.000	.766	.667	.828	.767	.250	.831	.940





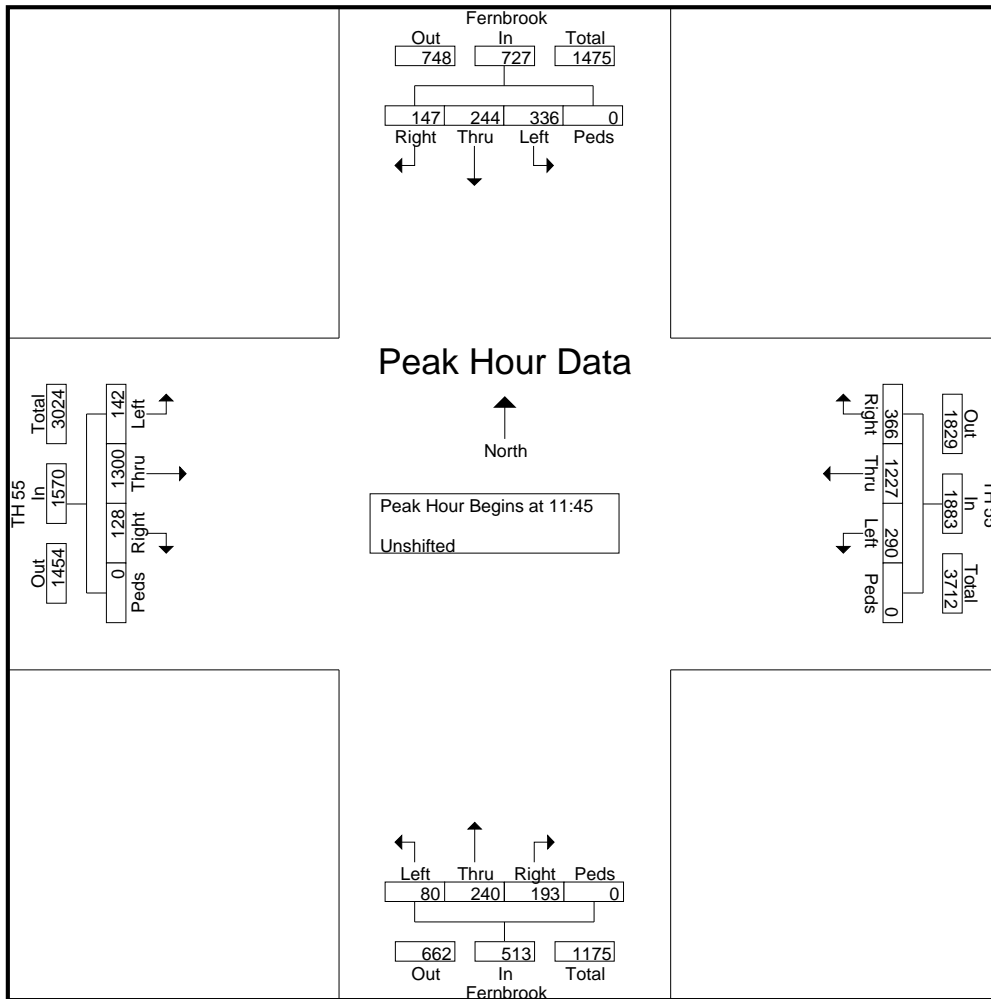
MINNESOTA DEPT OF TRANSPORTATION

TRAFFIC DATA COLLECTION - METRO

File Name : TH 55 @ FERNBROOK AV 2006
 Site Code : 07261012
 Start Date : 7/26/2006
 Page No : 4

Start Time	Fernbrook Southbound					TH 55 Westbound					Fernbrook Northbound					TH 55 Eastbound					Int. Total
	Left	Thru	Right	Peds	App. Total	Left	Thru	Right	Peds	App. Total	Left	Thru	Right	Peds	App. Total	Left	Thru	Right	Peds	App. Total	
11:45	71	48	35	0	154	77	326	101	0	504	15	47	51	0	113	33	319	20	0	372	1143
12:00	94	70	35	0	199	60	291	83	0	434	23	71	44	0	138	39	311	30	0	380	1151
12:15	86	63	38	0	187	89	311	98	0	498	23	62	49	0	134	34	321	54	0	409	1228
12:30	85	63	39	0	187	64	299	84	0	447	19	60	49	0	128	36	349	24	0	409	1171
Total Volume	336	244	147	0	727	290	1227	366	0	1883	80	240	193	0	513	142	1300	128	0	1570	4693
% App. Total	46.2	33.6	20.2	0		15.4	65.2	19.4	0		15.6	46.8	37.6	0		9	82.8	8.2	0		
PHF	.894	.871	.942	.000	.913	.815	.941	.906	.000	.934	.870	.845	.946	.000	.929	.910	.931	.593	.000	.960	.955

Peak Hour Analysis From 10:00 to 13:45 - Peak 1 of 1
 Peak Hour for Entire Intersection Begins at 11:45





MINNESOTA DEPT OF TRANSPORTATION

TRAFFIC DATA COLLECTION - METRO

File Name : TH 55 @ FERNBROOK AV 2006
 Site Code : 07261012
 Start Date : 7/26/2006
 Page No : 5

Start Time	Fernbrook Southbound					TH 55 Westbound					Fernbrook Northbound					TH 55 Eastbound					Int. Total
	Left	Thru	Right	Peds	App. Total	Left	Thru	Right	Peds	App. Total	Left	Thru	Right	Peds	App. Total	Left	Thru	Right	Peds	App. Total	
16:45	78	17	39	0	134	19	467	113	0	599	25	67	44	0	136	19	212	1	0	232	1101
17:00	96	28	21	0	145	21	420	97	0	538	17	77	88	0	182	30	213	2	0	245	1110
17:15	65	23	33	0	121	28	454	88	0	570	18	77	37	0	132	20	241	7	0	268	1091
17:30	72	9	21	0	102	31	461	96	0	588	25	68	27	0	120	19	269	6	0	294	1104
Total Volume	311	77	114	0	502	99	1802	394	0	2295	85	289	196	0	570	88	935	16	0	1039	4406
% App. Total	62	15.3	22.7	0		4.3	78.5	17.2	0		14.9	50.7	34.4	0		8.5	90	1.5	0		
PHF	.810	.688	.731	.000	.866	.798	.965	.872	.000	.958	.850	.938	.557	.000	.783	.733	.869	.571	.000	.884	.992

Peak Hour Analysis From 14:00 to 17:45 - Peak 1 of 1
 Peak Hour for Entire Intersection Begins at 16:45

