



# MINNESOTA DEPT OF TRANSPORTATION

## TRAFFIC DATA COLLECTION - METRO

Counted By: Ivan & Linda  
 Day of the Week: Thursday  
 Location: TH 55 & E494 Ramp  
 Project #: 5764

File Name : TH 55 @ I494 E RAMP 2006  
 Site Code : 07271212  
 Start Date : 7/27/2006  
 Page No : 1

**Groups Printed- Unshifted**

Start Time	494 Ramp Southbound					TH 55 Westbound					494 Ramp Northbound					TH 55 Eastbound					Int. Total
	Left	Thru	Right	Peds	App. Total	Left	Thru	Right	Peds	App. Total	Left	Thru	Right	Peds	App. Total	Left	Thru	Right	Peds	App. Total	
06:00	0	0	0	0	0	0	69	14	0	83	58	0	16	0	74	35	191	0	0	226	383
06:15	0	0	0	0	0	0	89	17	0	106	114	0	28	0	142	25	247	0	0	272	520
06:30	0	0	0	0	0	0	136	14	0	150	135	0	32	0	167	36	368	0	0	404	721
06:45	0	0	0	0	0	0	133	17	0	150	172	0	45	0	217	35	460	0	0	495	862
Total	0	0	0	0	0	0	427	62	0	489	479	0	121	0	600	131	1266	0	0	1397	2486
07:00	0	0	0	0	0	0	126	22	0	148	131	0	51	0	182	58	483	0	0	541	871
07:15	0	0	0	0	0	0	174	29	0	203	147	0	52	0	199	52	567	0	0	619	1021
07:30	0	0	0	0	0	0	182	29	0	211	173	0	64	0	237	63	603	0	0	666	1114
07:45	0	0	0	0	0	0	195	25	0	220	202	0	66	0	268	50	587	0	0	637	1125
Total	0	0	0	0	0	0	677	105	0	782	653	0	233	0	886	223	2240	0	0	2463	4131
08:00	0	0	0	0	0	0	172	33	1	206	155	0	80	0	235	59	496	0	0	555	996
08:15	0	0	0	0	0	0	175	30	0	205	164	0	60	0	224	60	449	0	0	509	938
08:30	0	0	0	0	0	0	165	37	2	204	138	0	68	0	206	64	369	0	0	433	843
08:45	0	0	0	0	0	0	204	25	0	229	173	0	58	0	231	49	360	0	0	409	869
Total	0	0	0	0	0	0	716	125	3	844	630	0	266	0	896	232	1674	0	0	1906	3646
11:00	0	0	0	1	1	0	251	57	1	309	151	1	37	0	189	64	223	0	0	287	786
11:15	0	0	0	0	0	2	243	47	0	292	162	1	44	0	207	77	236	0	0	313	812
11:30	0	0	0	0	0	0	304	63	0	367	183	1	31	0	215	65	249	0	0	314	896
11:45	0	0	0	0	0	0	271	63	0	334	152	0	43	0	195	117	278	0	0	395	924
Total	0	0	0	1	1	2	1069	230	1	1302	648	3	155	0	806	323	986	0	0	1309	3418
12:00	0	0	0	0	0	0	265	90	1	356	177	5	46	0	228	101	252	0	0	353	937
12:15	0	0	0	0	0	0	298	70	8	376	152	6	43	0	201	79	270	0	0	349	926
12:30	0	0	0	0	0	0	317	66	1	384	167	0	50	0	217	79	293	0	0	372	973
12:45	0	0	0	0	0	0	268	53	0	321	178	0	63	0	241	74	359	0	0	433	995
Total	0	0	0	0	0	0	1148	279	10	1437	674	11	202	0	887	333	1174	0	0	1507	3831
15:00	0	0	0	0	0	0	205	124	1	330	219	1	42	0	262	81	236	0	0	317	909
15:15	0	0	0	0	0	14	363	76	2	455	216	0	43	0	259	90	250	0	0	340	1054
15:30	0	0	0	0	0	0	324	84	43	451	195	0	43	0	238	92	339	0	0	431	1120
15:45	0	0	0	0	0	0	337	90	3	430	168	0	21	0	189	90	232	0	0	322	941
Total	0	0	0	0	0	14	1229	374	49	1666	798	1	149	0	948	353	1057	0	0	1410	4024
16:00	0	0	0	0	0	0	373	117	0	490	179	1	25	0	205	90	287	0	0	377	1072
16:15	0	0	0	0	0	0	383	101	0	484	191	0	22	0	213	94	235	0	0	329	1026
16:30	0	0	0	0	0	0	419	130	0	549	190	0	15	0	205	94	319	0	0	413	1167
16:45	0	0	0	0	0	0	383	104	0	487	227	0	29	0	256	76	260	0	0	336	1079
Total	0	0	0	0	0	0	1558	452	0	2010	787	1	91	0	879	354	1101	0	0	1455	4344
17:00	0	0	0	0	0	0	401	136	9	546	195	1	47	0	243	79	305	0	0	384	1173
17:15	0	0	0	0	0	0	329	181	17	527	249	0	30	0	279	87	279	0	0	366	1172
17:30	0	0	0	0	0	0	370	79	1	450	227	0	55	0	282	69	257	0	0	326	1058
17:45	0	0	0	0	0	0	299	140	22	461	248	0	54	0	302	56	228	0	0	284	1047
Total	0	0	0	0	0	0	1399	536	49	1984	919	1	186	0	1106	291	1069	0	0	1360	4450
Grand Total	0	0	0	1	1	16	8223	2163	112	10514	5588	17	1403	0	7008	2240	10567	0	0	12807	30330
Apprch %	0	0	0	100		0.2	78.2	20.6	1.1		79.7	0.2	20	0		17.5	82.5	0	0		
Total %	0	0	0	0	0	0.1	27.1	7.1	0.4	34.7	18.4	0.1	4.6	0	23.1	7.4	34.8	0	0	42.2	



# MINNESOTA DEPT OF TRANSPORTATION

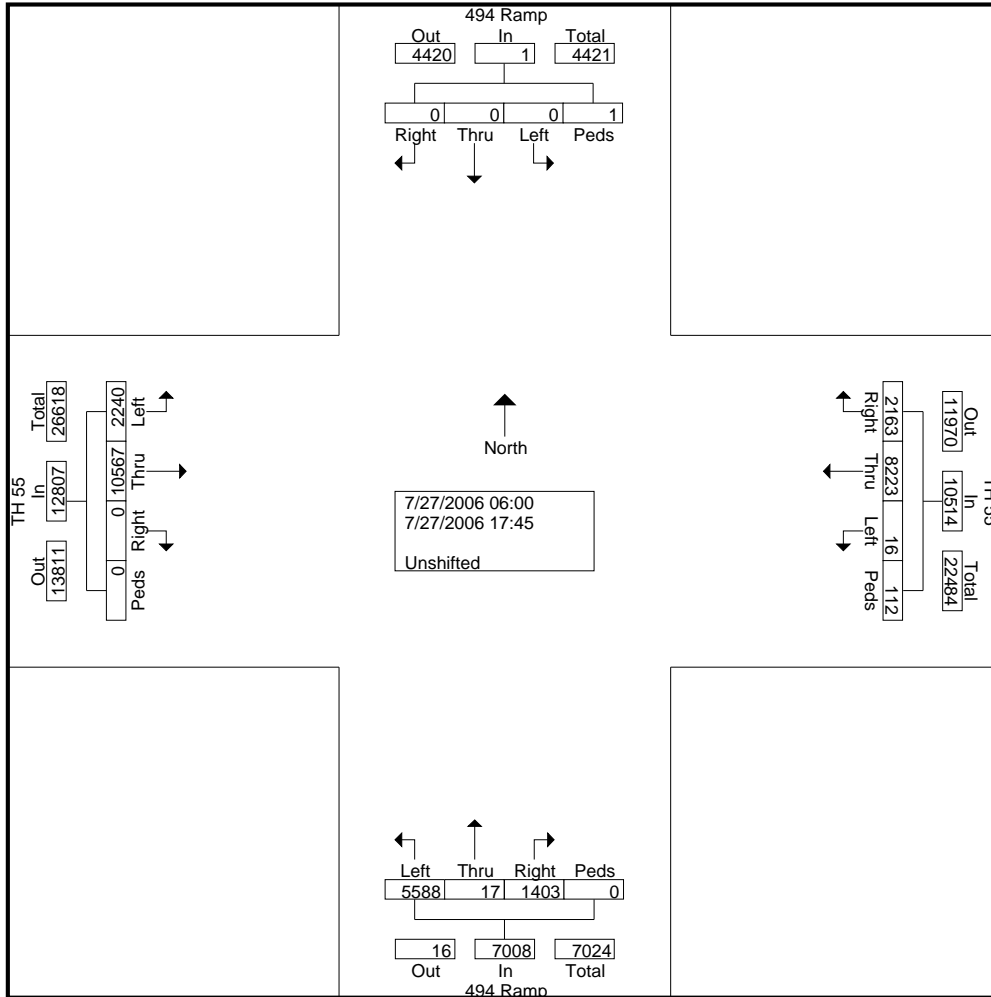
## TRAFFIC DATA COLLECTION - METRO

File Name : TH 55 @ I494 E RAMP 2006

Site Code : 07271212

Start Date : 7/27/2006

Page No : 2



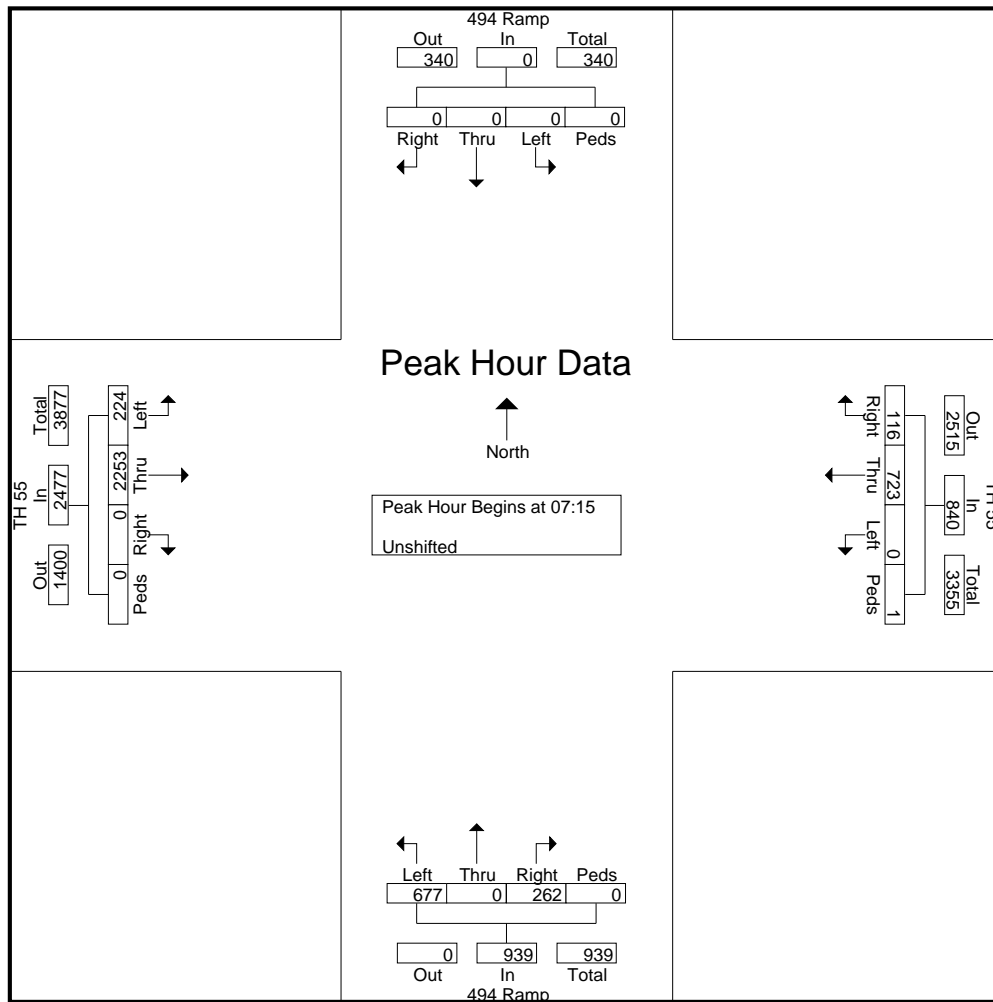


# MINNESOTA DEPT OF TRANSPORTATION

## TRAFFIC DATA COLLECTION - METRO

File Name : TH 55 @ I494 E RAMP 2006  
 Site Code : 07271212  
 Start Date : 7/27/2006  
 Page No : 3

Start Time	494 Ramp Southbound					TH 55 Westbound					494 Ramp Northbound					TH 55 Eastbound					Int. Total
	Left	Thru	Right	Peds	App. Total	Left	Thru	Right	Peds	App. Total	Left	Thru	Right	Peds	App. Total	Left	Thru	Right	Peds	App. Total	
Peak Hour Analysis From 06:00 to 09:45 - Peak 1 of 1																					
Peak Hour for Entire Intersection Begins at 07:15																					
07:15	0	0	0	0	0	0	174	29	0	203	147	0	52	0	199	52	567	0	0	619	1021
07:30	0	0	0	0	0	0	182	29	0	211	173	0	64	0	237	<b>63</b>	<b>603</b>	0	0	<b>666</b>	1114
07:45	0	0	0	0	0	0	<b>195</b>	25	0	<b>220</b>	<b>202</b>	0	66	0	<b>268</b>	50	587	0	0	637	<b>1125</b>
08:00	0	0	0	0	0	0	172	<b>33</b>	<b>1</b>	206	155	0	<b>80</b>	0	235	59	496	0	0	555	996
Total Volume	0	0	0	0	0	0	723	116	1	840	677	0	262	0	939	224	2253	0	0	2477	4256
% App. Total	0	0	0	0	0	0	86.1	13.8	0.1		72.1	0	27.9	0		9	91	0	0		
PHF	.000	.000	.000	.000	.000	.000	.927	.879	.250	.955	.838	.000	.819	.000	.876	.889	.934	.000	.000	.930	.946





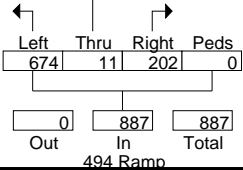
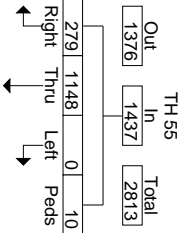
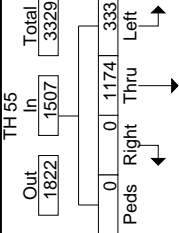
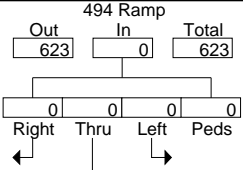
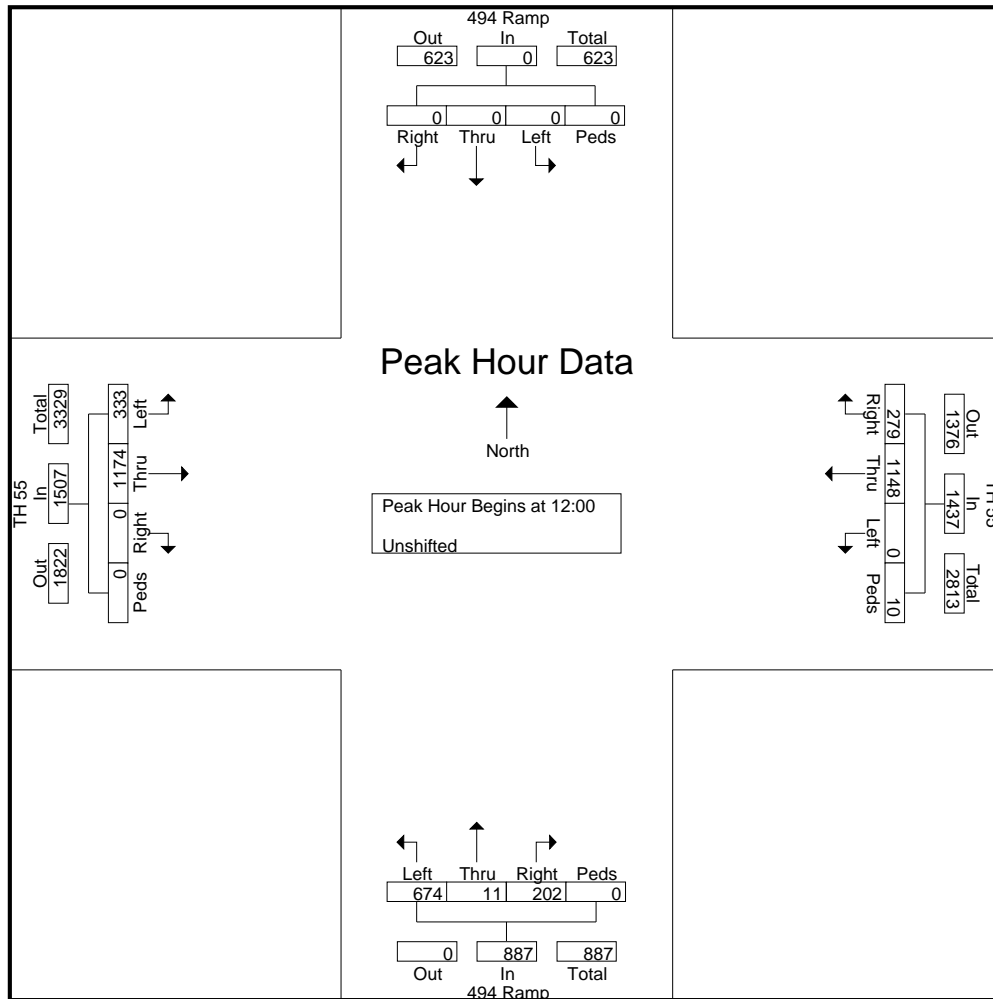
# MINNESOTA DEPT OF TRANSPORTATION

## TRAFFIC DATA COLLECTION - METRO

File Name : TH 55 @ I494 E RAMP 2006  
 Site Code : 07271212  
 Start Date : 7/27/2006  
 Page No : 4

Start Time	494 Ramp Southbound					TH 55 Westbound					494 Ramp Northbound					TH 55 Eastbound					Int. Total
	Left	Thru	Right	Peds	App. Total	Left	Thru	Right	Peds	App. Total	Left	Thru	Right	Peds	App. Total	Left	Thru	Right	Peds	App. Total	
12:00	0	0	0	0	0	0	265	<b>90</b>	1	356	177	5	46	0	228	<b>101</b>	252	0	0	353	937
12:15	0	0	0	0	0	0	298	70	<b>8</b>	376	152	<b>6</b>	43	0	201	79	270	0	0	349	926
12:30	0	0	0	0	0	0	<b>317</b>	66	1	<b>384</b>	167	0	50	0	217	79	293	0	0	372	973
12:45	0	0	0	0	0	0	268	53	0	321	<b>178</b>	0	<b>63</b>	0	<b>241</b>	<b>74</b>	<b>359</b>	0	0	<b>433</b>	<b>995</b>
Total Volume	0	0	0	0	0	0	1148	279	10	1437	674	11	202	0	887	333	1174	0	0	1507	3831
% App. Total	0	0	0	0	0	0	79.9	19.4	0.7		76	1.2	22.8	0		22.1	77.9	0	0		
PHF	.000	.000	.000	.000	.000	.000	.905	.775	.313	.936	.947	.458	.802	.000	.920	.824	.818	.000	.000	.870	.963

Peak Hour Analysis From 10:00 to 13:45 - Peak 1 of 1  
 Peak Hour for Entire Intersection Begins at 12:00





# MINNESOTA DEPT OF TRANSPORTATION

## TRAFFIC DATA COLLECTION - METRO

File Name : TH 55 @ I494 E RAMP 2006  
 Site Code : 07271212  
 Start Date : 7/27/2006  
 Page No : 5

Start Time	494 Ramp Southbound					TH 55 Westbound					494 Ramp Northbound					TH 55 Eastbound					Int. Total
	Left	Thru	Right	Peds	App. Total	Left	Thru	Right	Peds	App. Total	Left	Thru	Right	Peds	App. Total	Left	Thru	Right	Peds	App. Total	
16:30	0	0	0	0	0	0	<b>419</b>	130	0	<b>549</b>	190	0	15	0	205	<b>94</b>	<b>319</b>	0	0	<b>413</b>	1167
16:45	0	0	0	0	0	0	383	104	0	487	227	0	29	0	256	76	260	0	0	336	1079
17:00	0	0	0	0	0	0	401	136	9	546	195	<b>1</b>	<b>47</b>	0	243	79	305	0	0	384	<b>1173</b>
17:15	0	0	0	0	0	0	329	<b>181</b>	<b>17</b>	<b>527</b>	<b>249</b>	0	30	0	<b>279</b>	87	279	0	0	366	1172
Total Volume	0	0	0	0	0	0	1532	551	26	2109	861	1	121	0	983	336	1163	0	0	1499	4591
% App. Total	0	0	0	0	0	0	72.6	26.1	1.2		87.6	0.1	12.3	0		22.4	77.6	0	0		
PHF	.000	.000	.000	.000	.000	.000	.914	.761	.382	.960	.864	.250	.644	.000	.881	.894	.911	.000	.000	.907	.978

Peak Hour Analysis From 14:00 to 17:45 - Peak 1 of 1  
 Peak Hour for Entire Intersection Begins at 16:30

