

# Alliant Engineering, Inc.

233 Park Ave Suite 300

Minneapolis, MN 55415

--TRAFFIC DATA--

TH 55 and CSAH 6

Ref.Pt.: 181.62

data by : Alliant Inc.

TURN MOVEMENT COUNT

File Name : 416\_TH 55 & CSAH 6

Site Code : 416

Start Date : 2/6/2018

Page No : 1

## Groups Printed- Class 1 - Class 2

Start Time	CSAH 6 From North					TH 55 From East					CSAH 6 From South					TH 55 From West					Int. Total
	Other	Right	Thru	Left	App. Total	Other	Right	Thru	Left	App. Total	Other	Right	Thru	Left	App. Total	Other	Right	Thru	Left	App. Total	
06:00 AM	0	0	0	0	0	0	0	82	44	126	0	13	0	0	13	0	4	138	0	142	281
06:15 AM	0	0	0	0	0	0	0	103	37	140	0	10	0	2	12	0	4	205	0	209	361
06:30 AM	0	0	0	0	0	0	0	130	38	168	0	30	0	2	32	0	6	257	0	263	463
06:45 AM	0	0	0	0	0	0	0	160	74	234	0	36	0	1	37	0	13	284	0	297	568
Total	0	0	0	0	0	0	0	475	193	668	0	89	0	5	94	0	27	884	0	911	1673
07:00 AM	0	0	0	0	0	0	0	181	75	256	0	48	0	0	48	0	13	336	0	349	653
07:15 AM	0	0	0	0	0	0	0	182	61	243	0	52	0	0	52	0	21	593	0	614	909
07:30 AM	0	0	0	0	0	0	0	206	68	274	0	68	0	3	71	0	11	524	0	535	880
07:45 AM	0	0	0	0	0	0	0	314	101	415	1	71	0	2	74	0	12	575	0	587	1076
Total	0	0	0	0	0	0	0	883	305	1188	1	239	0	5	245	0	57	2028	0	2085	3518
08:00 AM	0	0	0	0	0	0	0	287	80	367	0	67	0	3	70	0	24	513	0	537	974
08:15 AM	0	0	0	0	0	0	0	215	67	282	0	62	0	2	64	0	14	477	0	491	837
08:30 AM	2	0	0	0	2	0	0	205	71	276	0	51	0	4	55	0	10	393	0	403	736
08:45 AM	0	0	0	0	0	0	0	206	67	273	0	56	0	2	58	0	7	410	0	417	748
Total	2	0	0	0	2	0	0	913	285	1198	0	236	0	11	247	0	55	1793	0	1848	3295
09:00 AM	0	0	0	0	0	0	0	191	46	237	0	53	0	5	58	0	10	281	0	291	586
09:15 AM	0	0	0	0	0	0	0	181	41	222	0	46	0	4	50	0	8	287	0	295	567
*** BREAK ***																					
Total	0	0	0	0	0	0	0	372	87	459	0	99	0	9	108	0	18	568	0	586	1153
*** BREAK ***																					
10:30 AM	0	0	0	0	0	0	0	153	32	185	0	38	0	3	41	0	2	144	0	146	372
10:45 AM	0	0	0	0	0	0	0	193	28	221	0	28	0	6	34	0	7	186	0	193	448
Total	0	0	0	0	0	0	0	346	60	406	0	66	0	9	75	0	9	330	0	339	820
11:00 AM	0	0	0	0	0	0	0	167	33	200	0	43	0	7	50	0	4	173	0	177	427
11:15 AM	0	0	0	0	0	0	0	152	39	191	0	44	0	11	55	0	8	193	0	201	447
11:30 AM	0	0	0	0	0	0	0	214	31	245	0	49	0	7	56	0	12	191	0	203	504
11:45 AM	0	0	0	0	0	0	0	206	44	250	0	52	0	6	58	0	6	198	0	204	512
Total	0	0	0	0	0	0	0	739	147	886	0	188	0	31	219	0	30	755	0	785	1890
12:00 PM	0	0	0	0	0	0	0	178	42	220	0	49	1	13	63	0	10	187	0	197	480
12:15 PM	0	0	0	0	0	0	0	226	46	272	0	44	0	22	66	0	5	165	0	170	508
12:30 PM	0	0	0	0	0	0	0	194	55	249	0	48	0	5	53	0	9	178	0	187	489
12:45 PM	0	0	0	0	0	0	0	229	56	285	0	43	0	6	49	0	11	162	0	173	507
Total	0	0	0	0	0	0	0	827	199	1026	0	184	1	46	231	0	35	692	0	727	1984
01:00 PM	0	0	0	0	0	0	0	200	48	248	0	46	0	4	50	0	11	149	0	160	458
01:15 PM	0	0	0	0	0	0	0	204	38	242	0	3	0	0	3	0	1	7	0	8	253
*** BREAK ***																					
Total	0	0	0	0	0	0	0	404	86	490	0	49	0	4	53	0	12	156	0	168	711
*** BREAK ***																					
02:30 PM	0	0	0	0	0	0	0	230	46	276	0	56	0	6	62	0	6	207	0	213	551
02:45 PM	0	0	0	0	0	0	0	245	53	298	0	52	0	10	62	0	2	215	2	219	579
Total	0	0	0	0	0	0	0	475	99	574	0	108	0	16	124	0	8	422	2	432	1130
03:00 PM	0	0	0	0	0	0	0	292	37	329	0	56	0	9	65	0	5	227	0	232	626
03:15 PM	0	0	0	0	0	0	0	310	52	362	0	60	0	9	69	0	2	263	0	265	696
03:30 PM	0	0	0	0	0	0	0	352	55	407	0	89	0	14	103	0	6	317	0	323	833
03:45 PM	0	0	0	0	0	0	0	429	36	465	0	84	0	14	98	0	6	245	0	251	814
Total	0	0	0	0	0	0	0	1383	180	1563	0	289	0	46	335	0	19	1052	0	1071	2969
04:00 PM	0	0	0	0	0	0	0	401	46	447	0	109	0	11	120	0	6	290	0	296	863
04:15 PM	0	0	0	0	0	0	0	483	68	551	0	93	0	20	113	0	3	282	0	285	949
04:30 PM	0	0	0	0	0	0	0	507	55	562	0	100	0	12	112	0	1	307	0	308	982

# Alliant Engineering, Inc.

233 Park Ave Suite 300

Minneapolis, MN 55415

--TRAFFIC DATA--

TH 55 and CSAH 6

Ref.Pt.: 181.62

data by : Alliant Inc.

TURN MOVEMENT COUNT

File Name : 416\_TH 55 & CSAH 6

Site Code : 416\_\_\_\_\_

Start Date : 2/6/2018

Page No : 2

Groups Printed- Class 1 - Class 2

Start Time	CSAH 6 From North					TH 55 From East					CSAH 6 From South					TH 55 From West					Int. Total
	Other	Rght	Thru	Left	App. Total	Other	Rght	Thru	Left	App. Total	Other	Rght	Thru	Left	App. Total	Other	Rght	Thru	Left	App. Total	
04:45 PM	0	0	0	0	0	0	0	491	58	549	0	101	0	9	110	0	2	346	0	348	1007
Total	0	0	0	0	0	0	0	1882	227	2109	0	403	0	52	455	0	12	1225	0	1237	3801
05:00 PM	0	0	0	0	0	0	0	462	72	534	0	111	0	17	128	0	2	320	0	322	984
05:15 PM	0	0	0	0	0	0	0	522	64	586	0	96	0	7	103	0	6	345	0	351	1040
05:30 PM	0	0	0	0	0	0	0	475	50	525	0	86	0	5	91	0	7	278	0	285	901
05:45 PM	0	0	0	0	0	0	0	334	48	382	0	57	0	5	62	0	8	283	0	291	735
Total	0	0	0	0	0	0	0	1793	234	2027	0	350	0	34	384	0	23	1226	0	1249	3660
Grand Total	2	0	0	0	2	0	0	10492	2102	12594	1	2300	1	268	2570	0	305	11131	2	11438	26604
Apprch %	100	0	0	0		0	0	83.3	16.7		0	89.5	0	10.4		0	2.7	97.3	0		
Total %	0	0	0	0	0	0	0	39.4	7.9	47.3	0	8.6	0	1	9.7	0	1.1	41.8	0	43	
Class 1	2	0	0	0	2	0	0	10117	1946	12063	1	2197	1	255	2454	0	292	10821	2	11115	25634
% Class 1	100	0	0	0	100	0	0	96.4	92.6	95.8	100	95.5	100	95.1	95.5	0	95.7	97.2	100	97.2	96.4
Class 2	0	0	0	0	0	0	0	375	156	531	0	103	0	13	116	0	13	310	0	323	970
% Class 2	0	0	0	0	0	0	0	3.6	7.4	4.2	0	4.5	0	4.9	4.5	0	4.3	2.8	0	2.8	3.6

# Alliant Engineering, Inc.

233 Park Ave Suite 300

Minneapolis, MN 55415

--TRAFFIC DATA--

TH 55 and CSAH 6

Ref.Pt.: 181.62

data by : Alliant Inc.

TURN MOVEMENT COUNT

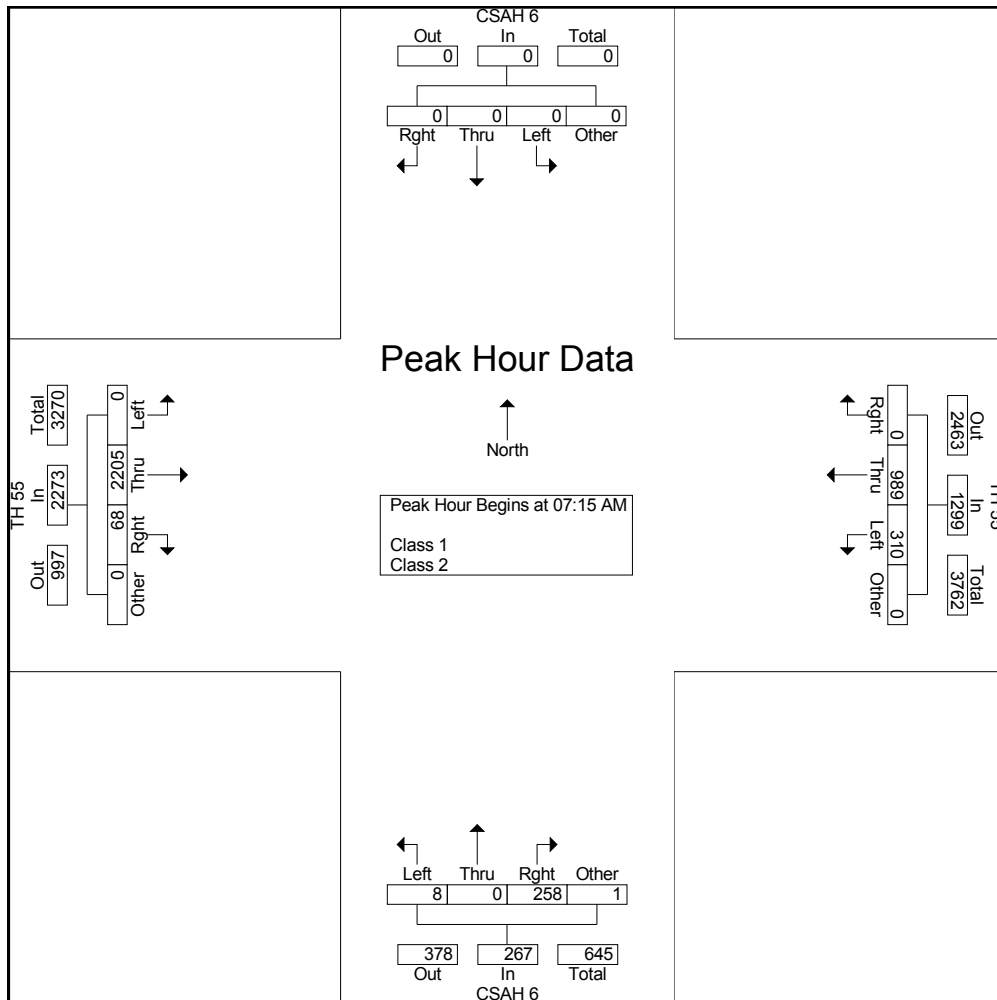
File Name : 416\_TH 55 & CSAH 6

Site Code : 416\_\_\_\_\_

Start Date : 2/6/2018

Page No : 3

Start Time	CSAH 6 From North					TH 55 From East					CSAH 6 From South					TH 55 From West					Int. Total
	Other	Right	Thru	Left	App. Total	Other	Right	Thru	Left	App. Total	Other	Right	Thru	Left	App. Total	Other	Right	Thru	Left	App. Total	
Peak Hour Analysis From 06:00 AM to 11:45 AM - Peak 1 of 1																					
Peak Hour for Entire Intersection Begins at 07:15 AM																					
07:15 AM	0	0	0	0	0	0	0	182	61	243	0	52	0	0	52	0	21	<b>593</b>	0	<b>614</b>	909
07:30 AM	0	0	0	0	0	0	0	206	68	274	0	68	0	3	71	0	11	524	0	535	880
07:45 AM	0	0	0	0	0	0	0	<b>314</b>	<b>101</b>	<b>415</b>	1	<b>71</b>	0	2	<b>74</b>	0	12	575	0	587	<b>1076</b>
08:00 AM	0	0	0	0	0	0	0	287	80	367	0	67	0	3	70	0	<b>24</b>	513	0	537	974
Total Volume	0	0	0	0	0	0	0	989	310	1299	1	258	0	8	267	0	68	2205	0	2273	3839
% App. Total	0	0	0	0	0	0	0	76.1	23.9		0.4	96.6	0	3		0	3	97	0		
PHF	.000	.000	.000	.000	.000	.000	.000	.787	.767	.783	.250	.908	.000	.667	.902	.000	.708	.930	.000	.925	.892



# Alliant Engineering, Inc.

233 Park Ave Suite 300

Minneapolis, MN 55415

--TRAFFIC DATA--

TH 55 and CSAH 6

Ref.Pt.: 181.62

data by : Alliant Inc.

TURN MOVEMENT COUNT

File Name : 416\_TH 55 & CSAH 6

Site Code : 416\_\_\_\_\_

Start Date : 2/6/2018

Page No : 4

Start Time	CSAH 6 From North					TH 55 From East					CSAH 6 From South					TH 55 From West					Int. Total
	Other	Rgh t	Thru	Left	App. Total	Other	Rgh t	Thru	Left	App. Total	Other	Rgh t	Thru	Left	App. Total	Other	Rgh t	Thru	Left	App. Total	
Peak Hour Analysis From 12:00 PM to 05:45 PM - Peak 1 of 1																					
Peak Hour for Entire Intersection Begins at 04:30 PM																					
04:30 PM	0	0	0	0	0	0	0	507	55	562	0	100	0	12	112	0	1	307	0	308	982
04:45 PM	0	0	0	0	0	0	0	491	58	549	0	101	0	9	110	0	2	<b>346</b>	0	348	1007
05:00 PM	0	0	0	0	0	0	0	462	<b>72</b>	534	0	<b>111</b>	0	<b>17</b>	<b>128</b>	0	2	320	0	322	984
05:15 PM	0	0	0	0	0	0	0	<b>522</b>	64	<b>586</b>	0	96	0	7	103	0	<b>6</b>	345	0	<b>351</b>	<b>1040</b>
Total Volume	0	0	0	0	0	0	0	1982	249	2231	0	408	0	45	453	0	11	1318	0	1329	4013
% App. Total	0	0	0	0	0	0	0	88.8	11.2		0	90.1	0	9.9		0	0.8	99.2	0		
PHF	.000	.000	.000	.000	.000	.000	.000	.949	.865	.952	.000	.919	.000	.662	.885	.000	.458	.952	.000	.947	.965

