



MINNESOTA DEPT OF TRANSPORTATION

TRAFFIC DATA COLLECTION - METRO

Loc: th 65 @ mississippi st 2003
 ref pt: 007+00.686
 data collected by: alliant eng
 tmc: am noon pm

File Name : T.H. 65 at Mississippi
 Site Code : 00000014
 Start Date : 8/12/2003
 Page No : 1

Groups Printed- Unshifted

Start Time	T.H. 65 Southbound					Mississippi St. Westbound					T.H. 65 Northbound					Mississippi St. Eastbound					Int. Total
	Left	Thru	Right	Peds	App. Total	Left	Thru	Right	Peds	App. Total	Left	Thru	Right	Peds	App. Total	Left	Thru	Right	Peds	App. Total	
06:00	5	285	7	0	297	6	7	9	0	22	1	71	1	0	73	6	13	8	0	27	419
06:15	7	351	13	0	371	12	7	4	0	23	4	110	7	0	121	5	7	9	0	21	536
06:30	3	457	26	2	488	13	12	16	0	41	2	162	17	0	181	7	5	5	0	17	727
06:45	5	350	19	0	374	11	10	11	0	32	3	152	11	0	166	4	6	7	0	17	589
Total	20	1443	65	2	1530	42	36	40	0	118	10	495	36	0	541	22	31	29	0	82	2271
07:00	9	499	38	0	546	25	19	8	0	52	5	162	14	1	182	8	11	4	0	23	803
07:15	10	460	23	1	494	8	14	12	0	34	4	156	17	0	177	8	11	7	0	26	731
07:30	8	424	23	0	455	14	8	11	0	33	5	250	16	0	271	20	17	18	0	55	814
07:45	6	398	31	0	435	9	25	15	1	50	4	218	33	1	256	10	13	3	0	26	767
Total	33	1781	115	1	1930	56	66	46	1	169	18	786	80	2	886	46	52	32	0	130	3115
08:00	9	300	10	0	319	20	17	14	0	51	5	213	26	2	246	12	11	12	0	35	651
08:15	6	314	18	0	338	9	26	18	1	54	3	182	21	2	208	10	12	7	0	29	629
08:30	10	282	15	0	307	11	10	10	0	31	7	193	13	0	213	15	15	13	0	43	594
08:45	16	247	14	0	277	13	18	12	1	44	8	189	9	0	206	12	19	17	0	48	575
Total	41	1143	57	0	1241	53	71	54	2	180	23	777	69	4	873	49	57	49	0	155	2449
11:00	9	191	16	0	216	15	18	8	1	42	21	252	4	0	277	9	38	12	0	59	594
11:15	14	216	13	0	243	13	20	18	0	51	8	231	13	0	252	13	17	15	0	45	591
11:30	18	213	15	2	248	13	25	14	0	52	9	241	12	0	262	13	22	13	0	48	610
11:45	14	216	15	0	245	11	22	13	0	46	12	226	16	1	255	20	32	6	0	58	604
Total	55	836	59	2	952	52	85	53	1	191	50	950	45	1	1046	55	109	46	0	210	2399
12:00	16	218	12	0	246	22	16	12	0	50	24	220	5	0	249	13	25	10	0	48	593
12:15	7	228	17	2	254	11	29	10	0	50	12	238	4	0	254	16	18	7	0	41	599
12:30	14	268	15	0	297	10	32	17	0	59	16	230	8	0	254	15	24	16	0	55	665
12:45	11	227	18	0	256	13	15	12	1	41	17	240	8	0	265	20	24	2	0	46	608
Total	48	941	62	2	1053	56	92	51	1	200	69	928	25	0	1022	64	91	35	0	190	2465



MINNESOTA DEPT OF TRANSPORTATION

TRAFFIC DATA COLLECTION - METRO

File Name : T.H. 65 at Mississippi
 Site Code : 00000014
 Start Date : 8/12/2003
 Page No : 2

Groups Printed- Unshifted

Start Time	T.H. 65 Southbound					Mississippi St. Westbound					T.H. 65 Northbound					Mississippi St. Eastbound					Int. Total
	Left	Thru	Right	Peds	App. Total	Left	Thru	Right	Peds	App. Total	Left	Thru	Right	Peds	App. Total	Left	Thru	Right	Peds	App. Total	
15:00	17	267	13	0	297	15	25	7	0	47	13	269	13	0	295	19	23	7	0	49	688
15:15	17	199	25	0	241	17	27	13	0	57	17	350	10	0	377	21	31	11	1	64	739
15:30	28	244	13	2	287	12	24	12	0	48	13	356	9	2	380	24	25	9	0	58	773
15:45	20	193	17	0	230	11	39	18	0	68	20	417	11	0	448	27	44	7	0	78	824
Total	82	903	68	2	1055	55	115	50	0	220	63	1392	43	2	1500	91	123	34	1	249	3024
16:00	18	231	15	2	266	18	32	5	0	55	19	337	8	1	365	25	28	8	1	62	748
16:15	4	164	22	0	190	22	25	13	0	60	15	378	5	0	398	31	35	11	0	77	725
16:30	18	243	21	1	283	29	47	16	0	92	8	393	14	1	416	30	28	11	0	69	860
16:45	14	208	8	0	230	28	34	16	0	78	33	398	14	1	446	22	30	3	0	55	809
Total	54	846	66	3	969	97	138	50	0	285	75	1506	41	3	1625	108	121	33	1	263	3142
17:00	21	231	20	1	273	42	33	12	1	88	28	418	15	2	463	24	44	10	0	78	902
17:15	31	258	16	1	306	46	29	17	0	92	12	374	13	0	399	25	16	5	0	46	843
17:30	16	174	13	0	203	25	32	16	0	73	18	428	14	0	460	18	37	10	0	65	801
17:45	18	210	9	2	239	28	33	13	0	74	16	349	13	0	378	14	35	6	0	55	746
Total	86	873	58	4	1021	141	127	58	1	327	74	1569	55	2	1700	81	132	31	0	244	3292
Grand Total	419	8766	550	16	9751	552	730	402	6	1690	382	8403	394	14	9193	516	716	289	2	1523	22157
Apprch %	4.3	89.9	5.6	0.2		32.7	43.2	23.8	0.4		4.2	91.4	4.3	0.2		33.9	47	19	0.1		
Total %	1.9	39.6	2.5	0.1	44	2.5	3.3	1.8	0	7.6	1.7	37.9	1.8	0.1	41.5	2.3	3.2	1.3	0	6.9	

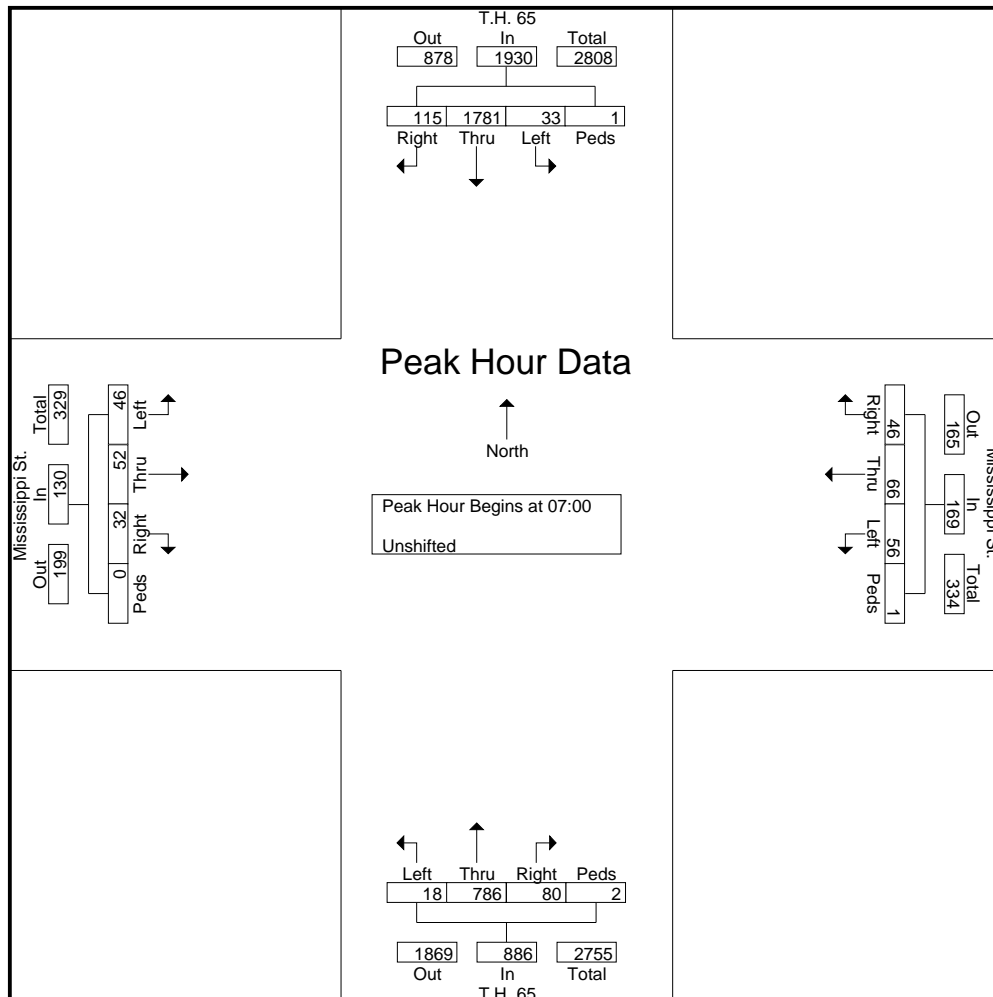


MINNESOTA DEPT OF TRANSPORTATION

TRAFFIC DATA COLLECTION - METRO

File Name : T.H. 65 at Mississippi
 Site Code : 00000014
 Start Date : 8/12/2003
 Page No : 3

Start Time	T.H. 65 Southbound					Mississippi St. Westbound					T.H. 65 Northbound					Mississippi St. Eastbound					Int. Total
	Left	Thru	Right	Peds	App. Total	Left	Thru	Right	Peds	App. Total	Left	Thru	Right	Peds	App. Total	Left	Thru	Right	Peds	App. Total	
Peak Hour Analysis From 06:00 to 09:45 - Peak 1 of 1																					
Peak Hour for Entire Intersection Begins at 07:00																					
07:00	9	499	38	0	546	25	19	8	0	52	5	162	14	1	182	8	11	4	0	23	803
07:15	10	460	23	1	494	8	14	12	0	34	4	156	17	0	177	8	11	7	0	26	731
07:30	8	424	23	0	455	14	8	11	0	33	5	250	16	0	271	20	17	18	0	55	814
07:45	6	398	31	0	435	9	25	15	1	50	4	218	33	1	256	10	13	3	0	26	767
Total Volume	33	1781	115	1	1930	56	66	46	1	169	18	786	80	2	886	46	52	32	0	130	3115
% App. Total	1.7	92.3	6	0.1		33.1	39.1	27.2	0.6		2	88.7	9	0.2		35.4	40	24.6	0		
PHF	.825	.892	.757	.250	.884	.560	.660	.767	.250	.813	.900	.786	.606	.500	.817	.575	.765	.444	.000	.591	.957



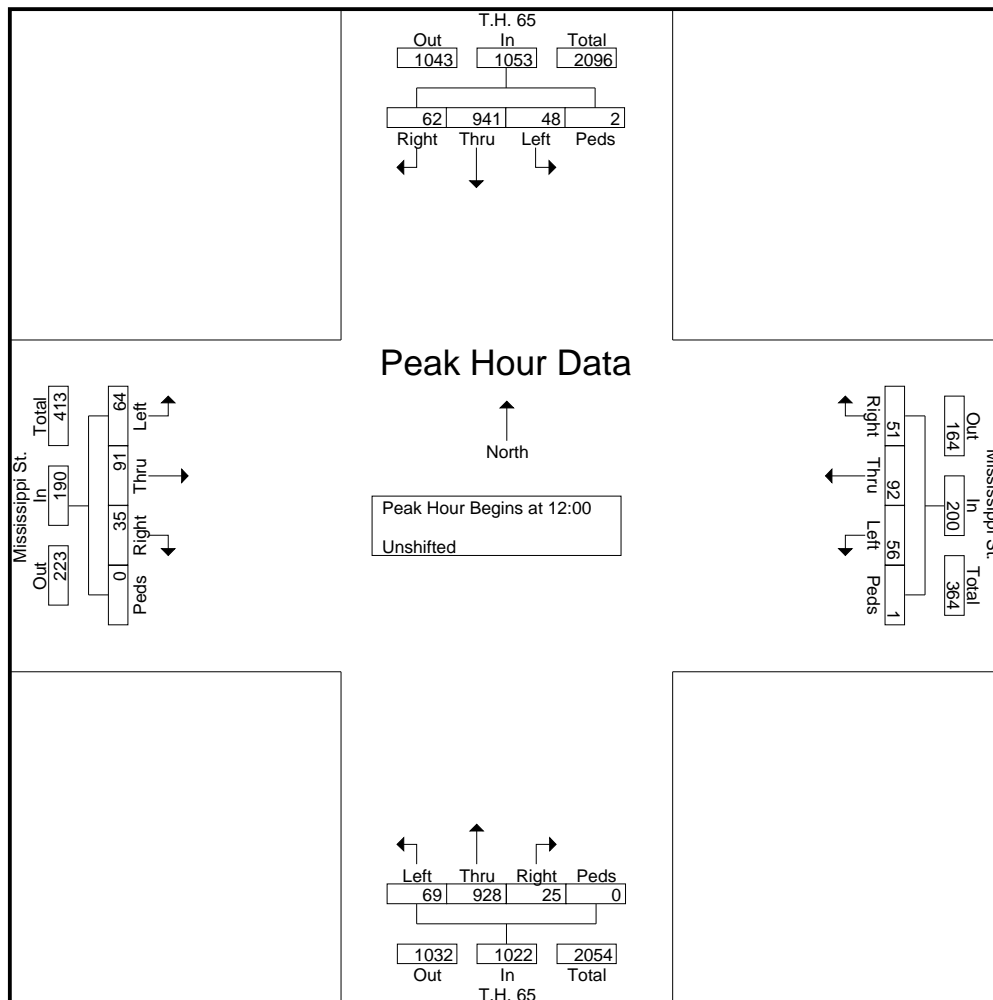


MINNESOTA DEPT OF TRANSPORTATION

TRAFFIC DATA COLLECTION - METRO

File Name : T.H. 65 at Mississippi
 Site Code : 00000014
 Start Date : 8/12/2003
 Page No : 4

Start Time	T.H. 65 Southbound					Mississippi St. Westbound					T.H. 65 Northbound					Mississippi St. Eastbound					Int. Total
	Left	Thru	Right	Peds	App. Total	Left	Thru	Right	Peds	App. Total	Left	Thru	Right	Peds	App. Total	Left	Thru	Right	Peds	App. Total	
Peak Hour Analysis From 10:00 to 13:45 - Peak 1 of 1																					
Peak Hour for Entire Intersection Begins at 12:00																					
12:00	16	218	12	0	246	22	16	12	0	50	24	220	5	0	249	13	25	10	0	48	593
12:15	7	228	17	2	254	11	29	10	0	50	12	238	4	0	254	16	18	7	0	41	599
12:30	14	268	15	0	297	10	32	17	0	59	16	230	8	0	254	15	24	16	0	55	665
12:45	11	227	18	0	256	13	15	12	1	41	17	240	8	0	265	20	24	2	0	46	608
Total Volume	48	941	62	2	1053	56	92	51	1	200	69	928	25	0	1022	64	91	35	0	190	2465
% App. Total	4.6	89.4	5.9	0.2		28	46	25.5	0.5		6.8	90.8	2.4	0		33.7	47.9	18.4	0		
PHF	.750	.878	.861	.250	.886	.636	.719	.750	.250	.847	.719	.967	.781	.000	.964	.800	.910	.547	.000	.864	.927





MINNESOTA DEPT OF TRANSPORTATION

TRAFFIC DATA COLLECTION - METRO

File Name : T.H. 65 at Mississippi
 Site Code : 00000014
 Start Date : 8/12/2003
 Page No : 5

Start Time	T.H. 65 Southbound					Mississippi St. Westbound					T.H. 65 Northbound					Mississippi St. Eastbound					Int. Total
	Left	Thru	Right	Peds	App. Total	Left	Thru	Right	Peds	App. Total	Left	Thru	Right	Peds	App. Total	Left	Thru	Right	Peds	App. Total	
Peak Hour Analysis From 14:00 to 17:45 - Peak 1 of 1																					
Peak Hour for Entire Intersection Begins at 16:30																					
16:30	18	243	21	1	283	29	47	16	0	92	8	393	14	1	416	30	28	11	0	69	860
16:45	14	208	8	0	230	28	34	16	0	78	33	398	14	1	446	22	30	3	0	55	809
17:00	21	231	20	1	273	42	33	12	1	88	28	418	15	2	463	24	44	10	0	78	902
17:15	31	258	16	1	306	46	29	17	0	92	12	374	13	0	399	25	16	5	0	46	843
Total Volume	84	940	65	3	1092	145	143	61	1	350	81	1583	56	4	1724	101	118	29	0	248	3414
% App. Total	7.7	86.1	6	0.3		41.4	40.9	17.4	0.3		4.7	91.8	3.2	0.2		40.7	47.6	11.7	0		
PHF	.677	.911	.774	.750	.892	.788	.761	.897	.250	.951	.614	.947	.933	.500	.931	.842	.670	.659	.000	.795	.946

