

Associated Consulting Services (ACS)

Saint Paul, MN 55127

-- TRAFFIC DATA --

TH-95 at TH-243/260th St._2019

File Name : TH-95 at TH-243 260th St_2019

Ref Pt: 088+00.563

Site Code :

Data Prepared By: ACS

Start Date : 1/16/2019

TURNING MOVEMENT COUNT

Page No : 1

Groups Printed- Cars - Trucks

Start Time	TH-95 Southbound				TH-243 Westbound				TH-95 Northbound				260th St Eastbound				Int. Total
	Left	Thru	Right	Peds	Left	Thru	Right	Peds	Left	Thru	Right	Peds	Left	Thru	Right	Peds	
06:00	4	29	0	0	46	7	7	0	0	4	4	0	0	2	0	0	103
06:15	17	42	1	0	45	9	11	0	0	6	8	0	0	4	0	0	143
06:30	23	31	1	0	30	12	9	0	0	5	24	0	0	10	1	0	146
06:45	29	28	1	0	39	13	18	0	1	6	21	0	0	8	0	0	164
Total	73	130	3	0	160	41	45	0	1	21	57	0	0	24	1	0	556
07:00	13	30	3	0	43	10	15	0	0	8	12	0	0	5	1	0	140
07:15	14	32	0	0	37	13	8	0	0	13	20	0	0	14	1	0	152
07:30	23	25	2	0	41	12	20	0	0	19	21	0	0	7	0	0	170
07:45	18	24	2	0	28	11	15	0	0	9	27	0	1	6	0	0	141
Total	68	111	7	0	149	46	58	0	0	49	80	0	1	32	2	0	603
08:00	14	23	0	0	38	9	13	0	0	21	16	0	0	7	0	0	141
08:15	11	18	0	0	20	4	8	0	1	11	14	0	1	5	0	0	93
08:30	14	16	0	0	27	8	15	0	4	17	24	0	1	3	1	0	130
08:45	14	17	1	0	27	5	4	0	2	14	15	0	1	6	4	0	110
Total	53	74	1	0	112	26	40	0	7	63	69	0	3	21	5	0	474
09:00	8	21	1	0	19	11	9	0	0	16	20	0	1	5	2	0	113
09:15	11	17	0	0	18	5	5	0	0	6	22	0	0	7	0	0	91
09:30	3	18	0	0	25	6	5	0	0	14	20	0	1	4	1	0	97
09:45	5	12	0	0	21	4	3	0	2	10	13	0	1	2	0	0	73
Total	27	68	1	0	83	26	22	0	2	46	75	0	3	18	3	0	374
10:00	7	7	0	0	17	4	7	0	0	10	23	0	0	6	2	0	83
10:15	10	15	0	0	22	1	5	0	0	9	17	0	2	9	0	0	90
10:30	13	13	0	0	21	4	8	0	0	14	12	0	0	3	0	0	88
10:45	7	8	1	0	19	2	4	0	1	13	26	0	1	7	0	0	89
Total	37	43	1	0	79	11	24	0	1	46	78	0	3	25	2	0	350
11:00	15	7	0	0	16	13	5	0	1	10	8	0	0	2	2	0	79
11:15	5	12	1	0	22	4	12	0	3	10	13	0	1	4	2	0	89
11:30	6	16	0	0	8	2	11	0	0	12	18	0	0	1	2	0	76
11:45	6	15	0	0	20	6	8	0	0	15	19	0	0	6	0	0	95
Total	32	50	1	0	66	25	36	0	4	47	58	0	1	13	6	0	339
12:00	5	12	0	0	18	7	5	0	1	9	17	0	3	2	0	0	79
12:15	11	12	1	0	18	7	10	0	2	14	23	0	1	6	1	0	106
12:30	12	6	0	0	19	6	7	0	0	5	26	0	0	3	1	0	85
12:45	6	10	0	0	25	5	8	0	0	9	17	0	0	7	1	0	88
Total	34	40	1	0	80	25	30	0	3	37	83	0	4	18	3	0	358
13:00	9	6	1	0	24	6	3	0	3	15	17	0	1	3	1	0	89
13:15	5	15	0	0	21	7	6	0	4	12	18	0	1	4	3	0	96
13:30	4	15	0	0	24	5	4	0	3	9	14	0	0	4	3	0	85
13:45	11	14	0	0	25	9	7	0	1	11	25	0	1	1	2	0	107
Total	29	50	1	0	94	27	20	0	11	47	74	0	3	12	9	0	377
14:00	8	19	0	0	20	7	2	0	0	18	24	0	1	3	1	0	103
14:15	8	9	1	0	21	6	12	0	3	10	28	0	1	7	1	0	107
14:30	10	13	2	0	18	8	9	0	5	14	24	0	1	3	4	0	111

Associated Consulting Services (ACS)

Saint Paul, MN 55127

-- TRAFFIC DATA --

TH-95 at TH-243/260th St._2019

File Name : TH-95 at TH-243 260th St_2019

Ref Pt: 088+00.563

Site Code :

Data Prepared By: ACS

Start Date : 1/16/2019

TURNING MOVEMENT COUNT

Page No : 2

Groups Printed- Cars - Trucks

Start Time	TH-95 Southbound				TH-243 Westbound				TH-95 Northbound				260th St Eastbound				Int. Total
	Left	Thru	Right	Peds	Left	Thru	Right	Peds	Left	Thru	Right	Peds	Left	Thru	Right	Peds	
14:45	11	15	2	0	20	9	9	0	0	20	35	0	0	8	6	0	135
Total	37	56	5	0	79	30	32	0	8	62	111	0	3	21	12	0	456
15:00	8	13	1	0	25	12	11	0	0	35	36	0	0	8	0	0	149
15:15	13	10	0	0	27	6	16	0	0	34	40	0	0	6	0	0	152
15:30	17	17	2	0	27	8	20	0	0	32	46	0	1	6	0	0	176
15:45	15	16	0	0	22	14	26	0	0	39	56	0	1	7	0	0	196
Total	53	56	3	0	101	40	73	0	0	140	178	0	2	27	0	0	673
16:00	20	11	0	0	33	8	22	0	0	35	57	0	1	15	0	0	202
16:15	18	21	1	0	27	11	14	0	0	31	53	0	1	10	0	0	187
16:30	19	11	2	0	30	10	15	0	0	30	56	0	1	12	1	0	187
16:45	22	17	1	0	26	14	19	0	1	43	67	0	0	14	0	0	224
Total	79	60	4	0	116	43	70	0	1	139	233	0	3	51	1	0	800
17:00	16	22	0	0	23	8	24	0	0	43	53	0	0	15	0	0	204
17:15	16	19	0	0	28	9	19	0	0	29	48	0	0	17	0	0	185
17:30	15	18	0	0	19	8	19	0	0	31	49	0	0	9	1	0	169
17:45	12	12	0	0	15	3	11	0	0	32	41	0	0	7	1	0	134
Total	59	71	0	0	85	28	73	0	0	135	191	0	0	48	2	0	692
Grand Total	581	809	28	0	1204	368	523	0	38	832	1287	0	26	310	46	0	6052
Apprch %	41	57.1	2	0	57.5	17.6	25	0	1.8	38.6	59.7	0	6.8	81.2	12	0	
Total %	9.6	13.4	0.5	0	19.9	6.1	8.6	0	0.6	13.7	21.3	0	0.4	5.1	0.8	0	
Cars	551	783	18	0	1121	355	500	0	5	803	1210	0	22	297	11	0	5676
% Cars	94.8	96.8	64.3	0	93.1	96.5	95.6	0	13.2	96.5	94	0	84.6	95.8	23.9	0	93.8
Trucks	30	26	10	0	83	13	23	0	33	29	77	0	4	13	35	0	376
% Trucks	5.2	3.2	35.7	0	6.9	3.5	4.4	0	86.8	3.5	6	0	15.4	4.2	76.1	0	6.2

Associated Consulting Services (ACS)

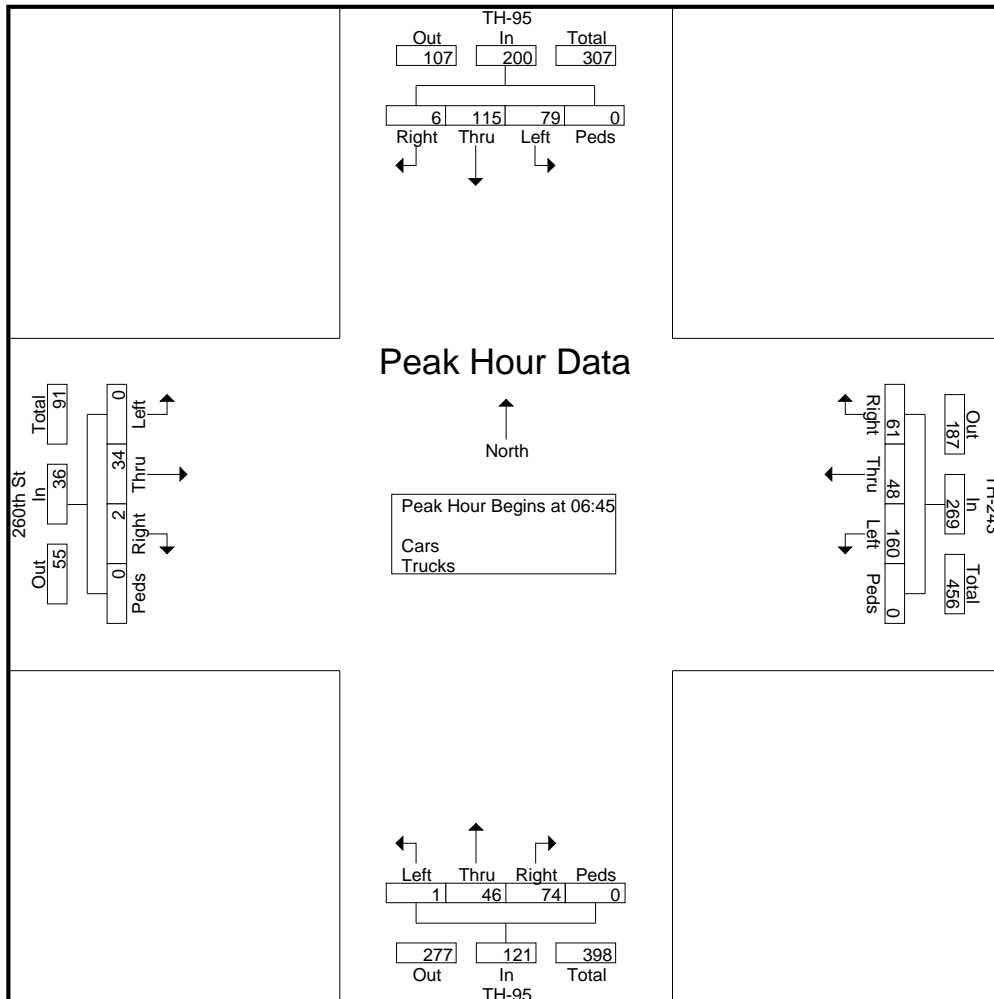
Saint Paul, MN 55127

-- TRAFFIC DATA --

TH-95 at TH-243/260th St._2019
 Ref Pt: 088+00.563
 Data Prepared By: ACS
 TURNING MOVEMENT COUNT

File Name : TH-95 at TH-243 260th St_2019
 Site Code :
 Start Date : 1/16/2019
 Page No : 3

Start Time	TH-95 Southbound					TH-243 Westbound					TH-95 Northbound					260th St Eastbound					Int. Total
	Left	Thru	Right	Peds	App. Total	Left	Thru	Right	Peds	App. Total	Left	Thru	Right	Peds	App. Total	Left	Thru	Right	Peds	App. Total	
Peak Hour Analysis From 06:00 to 11:45 - Peak 1 of 1																					
Peak Hour for Entire Intersection Begins at 06:45																					
06:45	29	28	1	0	58	39	13	18	0	70	1	6	21	0	28	0	8	0	0	8	164
07:00	13	30	3	0	46	43	10	15	0	68	0	8	12	0	20	0	5	1	0	6	140
07:15	14	32	0	0	46	37	13	8	0	58	0	13	20	0	33	0	14	1	0	15	152
07:30	23	25	2	0	50	41	12	20	0	73	0	19	21	0	40	0	7	0	0	7	170
Total Volume	79	115	6	0	200	160	48	61	0	269	1	46	74	0	121	0	34	2	0	36	626
% App. Total	39.5	57.5	3	0		59.5	17.8	22.7	0		0.8	38	61.2	0		0	94.4	5.6	0		
PHF	.681	.898	.500	.000	.862	.930	.923	.763	.000	.921	.250	.605	.881	.000	.756	.000	.607	.500	.000	.600	.921



Associated Consulting Services (ACS)

Saint Paul, MN 55127

-- TRAFFIC DATA --

TH-95 at TH-243/260th St._2019

Ref Pt: 088+00.563

Data Prepared By: ACS

TURNING MOVEMENT COUNT

File Name : TH-95 at TH-243 260th St_2019

Site Code :

Start Date : 1/16/2019

Page No : 4

Start Time	TH-95 Southbound					TH-243 Westbound					TH-95 Northbound					260th St Eastbound					Int. Total
	Left	Thru	Right	Peds	App. Total	Left	Thru	Right	Peds	App. Total	Left	Thru	Right	Peds	App. Total	Left	Thru	Right	Peds	App. Total	
Peak Hour Analysis From 12:00 to 17:45 - Peak 1 of 1																					
Peak Hour for Entire Intersection Begins at 16:15																					
16:15	18	21	1	0	40	27	11	14	0	52	0	31	53	0	84	1	10	0	0	11	187
16:30	19	11	2	0	32	30	10	15	0	55	0	30	56	0	86	1	12	1	0	14	187
16:45	22	17	1	0	40	26	14	19	0	59	1	43	67	0	111	0	14	0	0	14	224
17:00	16	22	0	0	38	23	8	24	0	55	0	43	53	0	96	0	15	0	0	15	204
Total Volume	75	71	4	0	150	106	43	72	0	221	1	147	229	0	377	2	51	1	0	54	802
% App. Total	50	47.3	2.7	0		48	19.5	32.6	0		0.3	39	60.7	0		3.7	94.4	1.9	0		
PHF	.852	.807	.500	.000	.938	.883	.768	.750	.000	.936	.250	.855	.854	.000	.849	.500	.850	.250	.000	.900	.895

