

**Alliant Engineering, Inc**

233 Park Ave Suite 300

Minneapolis, MN 55415

--TRAFFIC DATA --

TH-95 at Myrtle Street

Ref.Pt.: 104.083

data by : Alliant Inc.

**TURN MOVEMENT COUNT**

File Name : 321\_TH 95 & Myrtle St

Site Code : 321

Start Date : 11/14/2017

Page No : 1

Groups Printed- Vehicles - Trucks

Start Time	TH 95 From North				Myrtle St From East				TH 95 From South				Myrtle St From West				Int. Total
	Other	Left	Thru	Rght	Other	Left	Thru	Rght	Other	Left	Thru	Rght	Other	Left	Thru	Rght	
06:00 AM	0	0	29	12	0	0	0	1	0	3	11	0	0	2	4	5	67
06:15 AM	0	0	31	17	0	0	3	0	0	5	25	2	0	2	2	7	94
06:30 AM	0	0	46	18	0	1	0	0	0	10	30	0	0	5	0	4	114
06:45 AM	0	2	50	21	0	2	4	0	0	12	27	2	0	4	5	5	134
Total	0	2	156	68	0	3	7	1	0	30	93	4	0	13	11	21	409
07:00 AM	0	0	57	26	0	2	3	0	0	21	36	2	0	8	3	3	161
07:15 AM	0	0	47	44	0	1	2	0	0	12	33	2	0	6	5	11	163
07:30 AM	0	0	85	27	0	3	3	0	0	2	54	6	0	7	5	10	202
07:45 AM	0	0	43	30	0	0	2	0	0	14	49	4	0	13	4	8	167
Total	0	0	232	127	0	6	10	0	0	49	172	14	0	34	17	32	693
08:00 AM	0	1	55	21	0	1	3	2	0	26	41	0	0	12	5	16	183
08:15 AM	0	0	52	21	0	2	0	0	0	17	33	3	0	9	7	11	155
08:30 AM	0	1	43	21	0	1	2	3	0	12	43	3	0	13	8	17	167
08:45 AM	0	0	49	36	0	3	1	1	0	25	39	5	0	15	15	12	201
Total	0	2	199	99	0	7	6	6	0	80	156	11	0	49	35	56	706
09:00 AM	0	2	61	19	0	3	7	0	0	12	27	6	0	10	12	11	170
09:15 AM	0	0	60	25	0	0	1	0	0	19	45	5	0	17	8	11	191
*** BREAK ***																	
Total	0	2	121	44	0	3	8	0	0	31	72	11	0	27	20	22	361
*** BREAK ***																	
10:30 AM	0	2	39	22	0	5	5	0	0	15	36	3	0	16	13	10	166
10:45 AM	0	0	41	20	0	3	8	0	0	12	34	7	0	17	8	8	158
Total	0	2	80	42	0	8	13	0	0	27	70	10	0	33	21	18	324
11:00 AM	0	1	48	23	0	6	11	0	0	18	39	2	0	19	12	20	199
11:15 AM	0	1	38	16	0	3	4	1	0	17	39	3	0	8	4	21	155
11:30 AM	0	2	43	22	0	7	9	0	0	18	25	4	0	15	12	17	174
11:45 AM	0	0	47	20	0	3	11	0	0	20	35	4	0	18	6	6	170
Total	0	4	176	81	0	19	35	1	0	73	138	13	0	60	34	64	698
12:00 PM	0	2	46	21	0	4	8	3	0	17	34	5	0	20	10	11	181
12:15 PM	0	2	36	15	0	8	6	0	0	13	31	3	0	23	7	12	156
12:30 PM	0	1	38	15	0	5	7	1	0	13	43	1	0	15	9	17	165
12:45 PM	0	0	39	24	0	4	9	2	0	21	35	5	0	23	7	20	189
Total	0	5	159	75	0	21	30	6	0	64	143	14	0	81	33	60	691
01:00 PM	0	1	42	14	0	4	15	0	0	11	46	4	0	17	11	14	179
01:15 PM	0	0	44	28	0	1	8	1	0	11	45	7	0	20	16	5	186
*** BREAK ***																	
Total	0	1	86	42	0	5	23	1	0	22	91	11	0	37	27	19	365
*** BREAK ***																	
02:30 PM	0	2	42	9	0	2	7	1	0	13	49	2	0	23	6	10	166
02:45 PM	0	3	31	18	0	3	8	1	0	19	68	4	0	27	2	8	192
Total	0	5	73	27	0	5	15	2	0	32	117	6	0	50	8	18	358
03:00 PM	0	1	43	19	0	4	7	0	0	14	39	6	0	25	6	12	176
03:15 PM	0	2	44	25	0	9	6	1	0	26	47	4	0	23	7	14	208
03:30 PM	0	0	51	17	0	4	6	1	0	28	51	10	0	36	8	9	221
03:45 PM	0	1	50	24	0	6	7	0	0	17	56	9	0	33	15	9	227
Total	0	4	188	85	0	23	26	2	0	85	193	29	0	117	36	44	832
04:00 PM	0	0	38	10	0	1	7	0	0	18	59	6	0	34	9	15	197
04:15 PM	0	0	76	15	0	6	15	0	0	17	46	4	0	28	16	26	249
04:30 PM	0	0	54	23	0	2	12	0	0	23	49	4	0	34	10	13	224
04:45 PM	0	0	63	17	0	5	10	3	0	15	54	6	0	27	7	14	221
Total	0	0	231	65	0	14	44	3	0	73	208	20	0	123	42	68	891

**Alliant Engineering, Inc**

233 Park Ave Suite 300

Minneapolis, MN 55415

--TRAFFIC DATA --

TH-95 at Myrtle Street  
 Ref.Pt.: 104.083  
 data by : Alliant Inc.  
 TURN MOVEMENT COUNT

File Name : 321\_TH 95 & Myrtle St  
 Site Code : 321  
 Start Date : 11/14/2017  
 Page No : 2

Groups Printed- Vehicles - Trucks

Start Time	TH 95 From North				Myrtle St From East				TH 95 From South				Myrtle St From West				Int. Total
	Other	Left	Thru	Rght	Other	Left	Thru	Rght	Other	Left	Thru	Rght	Other	Left	Thru	Rght	
05:00 PM	0	1	61	30	0	9	9	0	0	34	57	6	0	29	10	21	267
05:15 PM	0	0	67	13	0	3	9	2	0	24	46	3	0	46	7	8	228
05:30 PM	0	0	55	19	0	5	8	0	0	17	45	8	0	22	3	8	190
05:45 PM	0	1	52	21	0	4	6	0	0	22	41	10	0	27	2	14	200
Total	0	2	235	83	0	21	32	2	0	97	189	27	0	124	22	51	885
Grand Total	0	29	1936	838	0	135	249	24	0	663	1642	170	0	748	306	473	7213
Apprch %	0	1	69.1	29.9	0	33.1	61	5.9	0	26.8	66.3	6.9	0	49	20	31	
Total %	0	0.4	26.8	11.6	0	1.9	3.5	0.3	0	9.2	22.8	2.4	0	10.4	4.2	6.6	
Vehicles	0	27	1763	813	0	129	241	23	0	646	1516	164	0	730	300	459	6811
% Vehicles	0	93.1	91.1	97	0	95.6	96.8	95.8	0	97.4	92.3	96.5	0	97.6	98	97	94.4
Trucks	0	2	173	25	0	6	8	1	0	17	126	6	0	18	6	14	402
% Trucks	0	6.9	8.9	3	0	4.4	3.2	4.2	0	2.6	7.7	3.5	0	2.4	2	3	5.6

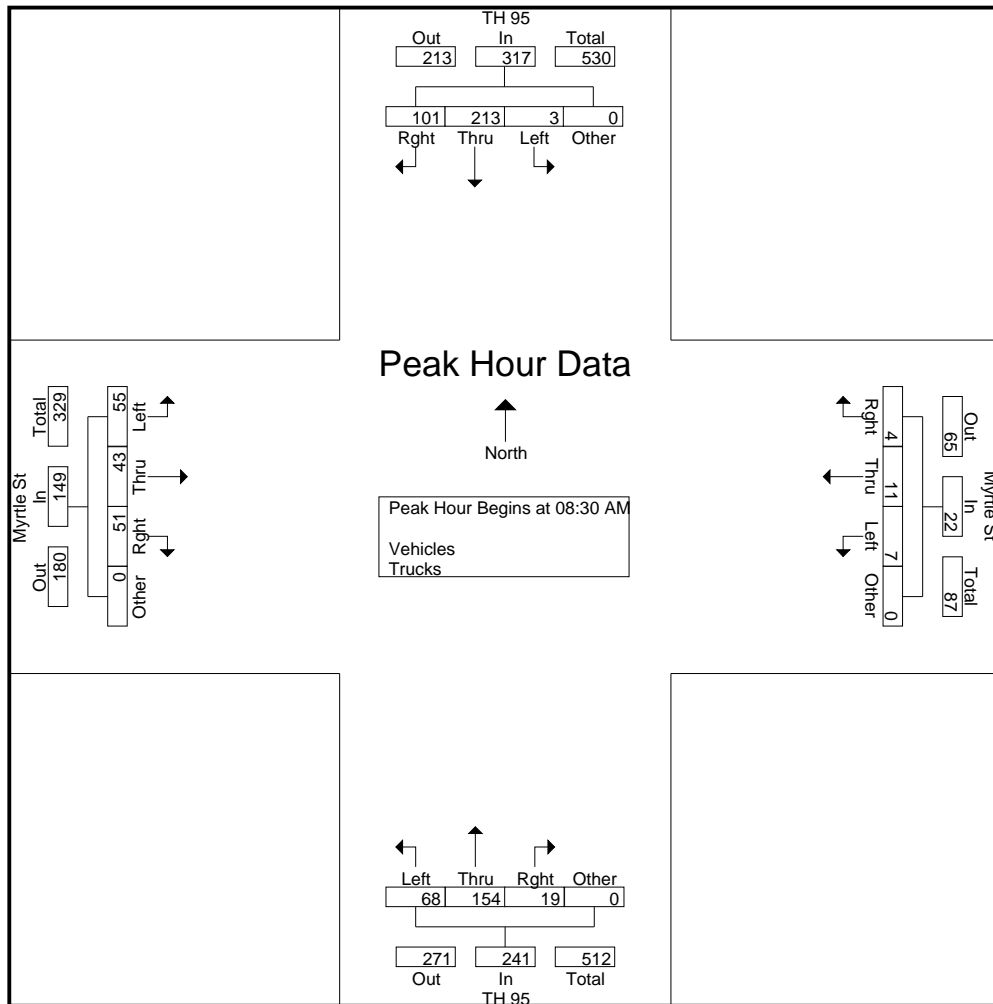
**Alliant Engineering, Inc**

233 Park Ave Suite 300  
 Minneapolis, MN 55415  
 --TRAFFIC DATA --

TH-95 at Myrtle Street  
 Ref.Pt.: 104.083  
 data by : Alliant Inc.  
 TURN MOVEMENT COUNT

File Name : 321\_TH 95 & Myrtle St  
 Site Code : 321  
 Start Date : 11/14/2017  
 Page No : 3

Start Time	TH 95 From North					Myrtle St From East					TH 95 From South					Myrtle St From West					Int. Total
	Other	Left	Thru	Right	App. Total	Other	Left	Thru	Right	App. Total	Other	Left	Thru	Right	App. Total	Other	Left	Thru	Right	App. Total	
Peak Hour Analysis From 06:00 AM to 11:45 AM - Peak 1 of 1																					
Peak Hour for Entire Intersection Begins at 08:30 AM																					
08:30 AM	0	1	43	21	65	0	1	2	3	6	0	12	43	3	58	0	13	8	17	38	167
08:45 AM	0	0	49	36	85	0	3	1	1	5	0	25	39	5	69	0	15	15	12	42	201
09:00 AM	0	2	61	19	82	0	3	7	0	10	0	12	27	6	45	0	10	12	11	33	170
09:15 AM	0	0	60	25	85	0	0	1	0	1	0	19	45	5	69	0	17	8	11	36	191
Total Volume	0	3	213	101	317	0	7	11	4	22	0	68	154	19	241	0	55	43	51	149	729
% App. Total	0	0.9	67.2	31.9		0	31.8	50	18.2		0	28.2	63.9	7.9		0	36.9	28.9	34.2		
PHF	.000	.375	.873	.701	.932	.000	.583	.393	.333	.550	.000	.680	.856	.792	.873	.000	.809	.717	.750	.887	.907



**Alliant Engineering, Inc**

233 Park Ave Suite 300  
 Minneapolis, MN 55415  
 --TRAFFIC DATA --

TH-95 at Myrtle Street  
 Ref.Pt.: 104.083  
 data by : Alliant Inc.  
 TURN MOVEMENT COUNT

File Name : 321\_TH 95 & Myrtle St  
 Site Code : 321  
 Start Date : 11/14/2017  
 Page No : 4

Start Time	TH 95 From North					Myrtle St From East					TH 95 From South					Myrtle St From West					Int. Total
	Other	Left	Thru	Rght	App. Total	Other	Left	Thru	Rght	App. Total	Other	Left	Thru	Rght	App. Total	Other	Left	Thru	Rght	App. Total	
Peak Hour Analysis From 12:00 PM to 05:45 PM - Peak 1 of 1																					
Peak Hour for Entire Intersection Begins at 04:15 PM																					
04:15 PM	0	0	76	15	91	0	6	15	0	21	0	17	46	4	67	0	28	16	26	70	249
04:30 PM	0	0	54	23	77	0	2	12	0	14	0	23	49	4	76	0	34	10	13	57	224
04:45 PM	0	0	63	17	80	0	5	10	3	18	0	15	54	6	75	0	27	7	14	48	221
05:00 PM	0	1	61	30	92	0	9	9	0	18	0	34	57	6	97	0	29	10	21	60	267
Total Volume	0	1	254	85	340	0	22	46	3	71	0	89	206	20	315	0	118	43	74	235	961
% App. Total	0	0.3	74.7	25		0	31	64.8	4.2		0	28.3	65.4	6.3		0	50.2	18.3	31.5		
PHF	.000	.250	.836	.708	.924	.000	.611	.767	.250	.845	.000	.654	.904	.833	.812	.000	.868	.672	.712	.839	.900

