

Alliant Engineering, Inc

233 Park Ave Suite 300

Minneapolis, MN 55415

--TRAFFIC DATA --

TH-95 at TH-36 N Ramp

Ref.Pt.: Not Available

data by : Alliant Inc.

TURN MOVEMENT COUNT

File Name : 311_TH 95 & TH 36 N Ramp

Site Code : 311

Start Date : 11/29/2017

Page No : 1

Groups Printed- Vehicles - Trucks

Start Time	TH 95 From North				TH 36 N Ramp From East				TH 95 From South				TH 36 N Ramp From West				Int. Total
	Other	Left	Thru	Rght	Other	Left	Thru	Rght	Other	Left	Thru	Rght	Other	Left	Thru	Rght	
05:00 AM	0	0	19	2	0	44	0	2	0	10	2	0	0	0	0	0	79
05:15 AM	0	0	26	7	0	53	0	11	0	13	8	0	0	0	0	0	118
05:30 AM	0	0	34	6	0	107	0	9	0	12	8	0	0	0	0	0	176
05:45 AM	0	0	32	9	0	109	0	8	0	15	13	0	0	0	0	0	186
Total	0	0	111	24	0	313	0	30	0	50	31	0	0	0	0	0	559
06:00 AM	0	0	32	2	0	64	1	4	0	33	16	0	0	0	0	0	152
06:15 AM	0	0	32	8	0	53	0	12	0	35	39	0	0	0	0	0	179
06:30 AM	0	0	35	10	0	42	0	17	0	47	37	0	0	0	0	1	189
06:45 AM	0	0	37	18	0	62	0	22	0	81	53	0	0	0	0	0	273
Total	0	0	136	38	0	221	1	55	0	196	145	0	0	0	0	1	793
07:00 AM	0	0	55	17	0	28	1	17	0	55	33	0	0	0	0	0	206
07:15 AM	0	0	50	18	0	44	0	36	0	74	48	0	0	0	0	0	270
07:30 AM	0	0	65	20	0	43	0	33	0	73	41	0	0	0	0	1	276
07:45 AM	0	0	63	19	0	37	0	37	0	55	56	0	0	0	0	1	268
Total	0	0	233	74	0	152	1	123	0	257	178	0	0	0	0	2	1020
08:00 AM	0	0	50	20	0	38	2	31	0	45	60	0	0	0	0	1	247
08:15 AM	0	0	41	23	0	25	0	15	0	59	46	0	0	0	0	3	212
08:30 AM	0	0	40	24	0	22	1	18	0	61	45	0	0	0	0	6	217
08:45 AM	0	0	53	22	0	17	0	27	0	78	60	0	0	0	0	1	258
Total	0	0	184	89	0	102	3	91	0	243	211	0	0	0	0	11	934
09:00 AM	0	0	42	31	0	18	1	23	0	34	57	0	0	0	0	1	207
09:15 AM	0	0	46	35	0	9	1	13	0	42	57	0	0	0	0	2	205
09:30 AM	0	0	24	18	0	24	0	14	0	48	50	0	0	0	0	0	178
09:45 AM	0	0	28	23	0	9	1	18	0	54	51	0	0	0	0	0	184
Total	0	0	140	107	0	60	3	68	0	178	215	0	0	0	0	3	774
10:00 AM	0	0	34	21	0	11	0	10	0	41	49	0	0	0	0	0	166
10:15 AM	0	0	22	26	0	18	1	16	0	42	43	0	0	0	0	0	168
10:30 AM	0	0	39	29	0	10	0	10	0	47	43	0	0	0	0	3	181
10:45 AM	0	0	29	30	0	12	1	21	0	46	50	0	0	0	0	4	193
Total	0	0	124	106	0	51	2	57	0	176	185	0	0	0	0	7	708
11:00 AM	0	0	37	26	0	16	1	11	0	56	61	0	0	0	0	1	209
11:15 AM	0	0	42	31	0	9	0	15	0	55	52	0	0	0	0	1	205
11:30 AM	0	0	47	48	0	4	1	16	0	73	51	0	0	0	0	2	242
11:45 AM	0	0	34	37	0	8	1	20	0	60	68	0	0	0	0	0	228
Total	0	0	160	142	0	37	3	62	0	244	232	0	0	0	0	4	884
12:00 PM	0	0	43	37	0	9	1	7	0	40	45	0	0	0	0	0	182
12:15 PM	0	0	44	30	0	9	0	17	0	49	59	0	0	0	0	3	211
12:30 PM	0	0	38	36	0	13	0	22	0	67	56	0	0	0	0	4	236
12:45 PM	0	0	47	36	0	6	1	12	0	49	60	0	0	0	0	7	218
Total	0	0	172	139	0	37	2	58	0	205	220	0	0	0	0	14	847
01:00 PM	0	0	37	15	0	15	0	21	0	48	46	0	0	0	0	5	187
01:15 PM	0	0	49	27	0	26	0	14	0	67	62	0	0	0	0	4	249
01:30 PM	0	0	46	32	0	38	0	14	0	49	55	0	0	0	0	0	234
01:45 PM	0	0	57	40	0	43	0	20	0	54	49	0	0	0	0	0	263
Total	0	0	189	114	0	122	0	69	0	218	212	0	0	0	0	9	933
02:00 PM	0	0	52	38	0	42	2	27	0	55	62	0	0	0	0	0	278
02:15 PM	0	0	47	39	0	42	1	18	0	72	64	0	0	0	0	0	283
02:30 PM	0	0	61	37	0	11	0	15	0	85	60	0	0	0	0	1	270
02:45 PM	0	0	55	38	0	22	2	29	0	152	71	0	0	0	0	2	371
Total	0	0	215	152	0	117	5	89	0	364	257	0	0	0	0	3	1202

Alliant Engineering, Inc

233 Park Ave Suite 300

Minneapolis, MN 55415

--TRAFFIC DATA --

TH-95 at TH-36 N Ramp

Ref.Pt.: Not Available

data by : Alliant Inc.

TURN MOVEMENT COUNT

File Name : 311_TH 95 & TH 36 N Ramp

Site Code : 311

Start Date : 11/29/2017

Page No : 2

Groups Printed- Vehicles - Trucks

Start Time	TH 95 From North				TH 36 N Ramp From East				TH 95 From South				TH 36 N Ramp From West				Int. Total	
	Other	Left	Thru	Rght	Other	Left	Thru	Rght	Other	Left	Thru	Rght	Other	Left	Thru	Rght		
03:00 PM	0	0	61	41	0	11	2	13	0	85	64	0	0	0	0	0	1	278
03:15 PM	0	0	61	38	0	14	5	25	0	97	79	0	0	0	0	0	8	327
03:30 PM	0	0	80	20	0	9	2	28	0	90	63	0	0	0	0	0	3	295
03:45 PM	0	0	78	21	0	14	1	18	0	78	56	0	0	0	0	0	3	269
Total	0	0	280	120	0	48	10	84	0	350	262	0	0	0	0	0	15	1169
04:00 PM	0	0	66	19	0	18	0	10	0	79	71	0	0	0	0	0	6	269
04:15 PM	0	0	63	26	0	16	1	16	0	93	70	0	0	0	0	0	5	290
04:30 PM	0	0	96	30	0	12	2	26	0	90	62	0	0	0	0	0	6	324
04:45 PM	0	0	64	33	0	15	0	16	0	62	59	0	0	0	0	0	3	252
Total	0	0	289	108	0	61	3	68	0	324	262	0	0	0	0	0	20	1135
05:00 PM	0	0	74	40	0	16	1	6	0	83	76	0	0	0	0	0	4	300
05:15 PM	0	0	72	31	0	12	0	26	0	69	72	0	0	0	0	0	11	293
05:30 PM	0	0	47	20	0	6	0	12	0	50	68	0	0	0	0	0	2	205
05:45 PM	0	0	32	25	0	8	1	13	0	53	57	0	0	0	0	0	11	200
Total	0	0	225	116	0	42	2	57	0	255	273	0	0	0	0	0	28	998
06:00 PM	0	0	37	21	0	8	0	21	0	28	57	0	0	0	0	0	0	172
06:15 PM	0	0	42	19	0	9	0	14	0	31	48	0	0	0	0	0	0	163
06:30 PM	0	0	29	15	0	10	1	12	0	34	35	0	0	0	0	0	0	136
06:45 PM	0	0	42	17	0	10	0	11	0	32	38	0	0	0	0	0	0	150
Total	0	0	150	72	0	37	1	58	0	125	178	0	0	0	0	0	0	621
07:00 PM	0	0	15	9	0	3	1	7	0	25	25	0	0	0	0	0	0	85
07:15 PM	0	0	31	17	0	3	0	13	0	26	29	0	0	0	0	0	0	119
07:30 PM	0	0	30	10	0	3	0	11	1	17	29	0	0	0	0	0	0	101
07:45 PM	0	0	31	7	0	5	0	12	0	13	32	0	0	0	0	0	0	100
Total	0	0	107	43	0	14	1	43	1	81	115	0	0	0	0	0	0	405
*** BREAK ***																		
Grand Total	0	0	2715	1444	0	1414	37	1012	1	3266	2976	0	0	0	0	117	12982	
Apprch %	0	0	65.3	34.7	0	57.4	1.5	41.1	0	52.3	47.7	0	0	0	0	100		
Total %	0	0	20.9	11.1	0	10.9	0.3	7.8	0	25.2	22.9	0	0	0	0	0.9		
Vehicles	0	0	2590	1339	0	1386	35	976	1	3079	2806	0	0	0	0	111	12323	
% Vehicles	0	0	95.4	92.7	0	98	94.6	96.4	100	94.3	94.3	0	0	0	0	94.9	94.9	
Trucks	0	0	125	105	0	28	2	36	0	187	170	0	0	0	0	6	659	
% Trucks	0	0	4.6	7.3	0	2	5.4	3.6	0	5.7	5.7	0	0	0	0	5.1	5.1	

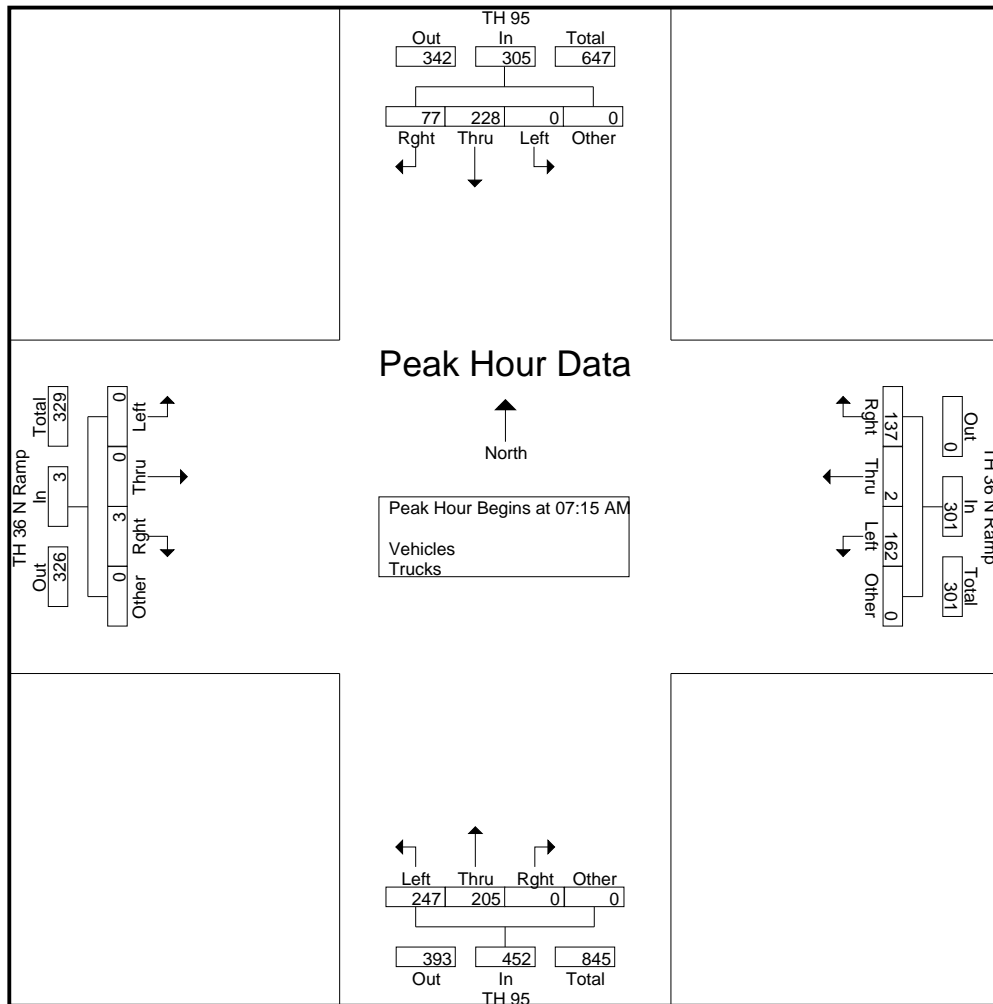
Alliant Engineering, Inc

233 Park Ave Suite 300
 Minneapolis, MN 55415
 --TRAFFIC DATA --

TH-95 at TH-36 N Ramp
 Ref.Pt.: Not Available
 data by : Alliant Inc.
 TURN MOVEMENT COUNT

File Name : 311_TH 95 & TH 36 N Ramp
 Site Code : 311
 Start Date : 11/29/2017
 Page No : 3

Start Time	TH 95 From North					TH 36 N Ramp From East					TH 95 From South					TH 36 N Ramp From West					Int. Total
	Other	Left	Thru	Rght	App. Total	Other	Left	Thru	Rght	App. Total	Other	Left	Thru	Rght	App. Total	Other	Left	Thru	Rght	App. Total	
Peak Hour Analysis From 05:00 AM to 11:45 AM - Peak 1 of 1																					
Peak Hour for Entire Intersection Begins at 07:15 AM																					
07:15 AM	0	0	50	18	68	0	44	0	36	80	0	74	48	0	122	0	0	0	0	0	270
07:30 AM	0	0	65	20	85	0	43	0	33	76	0	73	41	0	114	0	0	0	1	1	276
07:45 AM	0	0	63	19	82	0	37	0	37	74	0	55	56	0	111	0	0	0	1	1	268
08:00 AM	0	0	50	20	70	0	38	2	31	71	0	45	60	0	105	0	0	0	1	1	247
Total Volume	0	0	228	77	305	0	162	2	137	301	0	247	205	0	452	0	0	0	3	3	1061
% App. Total	0	0	74.8	25.2		0	53.8	0.7	45.5		0	54.6	45.4	0		0	0	0	100		
PHF	.000	.000	.877	.963	.897	.000	.920	.250	.926	.941	.000	.834	.854	.000	.926	.000	.000	.000	.750	.750	.961



Alliant Engineering, Inc

233 Park Ave Suite 300
 Minneapolis, MN 55415
 --TRAFFIC DATA --

TH-95 at TH-36 N Ramp
 Ref.Pt.: Not Available
 data by : Alliant Inc.
 TURN MOVEMENT COUNT

File Name : 311_TH 95 & TH 36 N Ramp
 Site Code : 311
 Start Date : 11/29/2017
 Page No : 4

Start Time	TH 95 From North					TH 36 N Ramp From East					TH 95 From South					TH 36 N Ramp From West					Int. Total
	Other	Left	Thru	Rght	App. Total	Other	Left	Thru	Rght	App. Total	Other	Left	Thru	Rght	App. Total	Other	Left	Thru	Rght	App. Total	
Peak Hour Analysis From 12:00 PM to 09:45 PM - Peak 1 of 1																					
Peak Hour for Entire Intersection Begins at 02:45 PM																					
02:45 PM	0	0	55	38	93	0	22	2	29	53	0	152	71	0	223	0	0	0	2	2	371
03:00 PM	0	0	61	41	102	0	11	2	13	26	0	85	64	0	149	0	0	0	1	1	278
03:15 PM	0	0	61	38	99	0	14	5	25	44	0	97	79	0	176	0	0	0	8	8	327
03:30 PM	0	0	80	20	100	0	9	2	28	39	0	90	63	0	153	0	0	0	3	3	295
Total Volume	0	0	257	137	394	0	56	11	95	162	0	424	277	0	701	0	0	0	14	14	1271
% App. Total	0	0	65.2	34.8		0	34.6	6.8	58.6		0	60.5	39.5	0		0	0	0	100		
PHF	.000	.000	.803	.835	.966	.000	.636	.550	.819	.764	.000	.697	.877	.000	.786	.000	.000	.000	.438	.438	.856

