



MINNESOTA DEPT OF TRANSPORTATION

TRAFFIC DATA COLLECTION - METRO

TH-12 at BUDD AVE. (MAPLE PLAIN)

Ref.Pt.: 146.542

JAMAR # D4-3358 DS

TURN MOVEMENT COUNT

File Name : TH-12 AT BUDD AVE MAPLE PLAIN 2008

Site Code : 00000000

Start Date : 1/16/2008

Page No : 1

Groups Printed- Cars & Trucks

Start Time	BUDD AVE. - (MAPLE PLAIN) Southbound				TH-12 Westbound				BUDD AVE. - (MAPLE PLAIN) Northbound				TH-12 Eastbound				Int. Total
	Left	Thru	Right	Peds	Left	Thru	Right	Peds	Left	Thru	Right	Peds	Left	Thru	Right	Peds	
06:00	3	0	6	0	1	22	1	0	0	2	0	0	3	212	1	0	251
06:15	3	0	3	0	1	41	0	0	0	0	2	0	4	233	4	0	291
06:30	4	2	7	0	2	43	2	0	0	1	2	0	7	248	4	0	322
06:45	1	2	5	0	4	58	2	0	0	0	2	0	1	238	5	0	318
Total	11	4	21	0	8	164	5	0	0	3	6	0	15	931	14	0	1182
07:00	6	2	1	0	5	58	2	0	0	1	6	0	5	284	4	0	374
07:15	6	2	8	0	6	63	4	0	1	1	5	0	10	258	4	0	368
07:30	3	3	7	0	2	81	1	0	0	3	8	0	7	241	4	0	360
07:45	6	6	7	0	3	89	7	0	1	2	6	0	15	175	3	0	320
Total	21	13	23	0	16	291	14	0	2	7	25	0	37	958	15	0	1422
08:00	2	3	3	0	0	64	6	0	3	2	5	0	10	198	4	0	300
08:15	3	3	9	0	2	83	2	0	1	3	4	0	6	172	5	0	293
08:30	4	7	3	0	3	61	5	0	5	3	2	0	5	158	4	0	260
08:45	9	0	10	0	0	82	10	0	4	3	3	0	6	121	3	0	251
Total	18	13	25	0	5	290	23	0	13	11	14	0	27	649	16	0	1104
*** BREAK ***																	
14:30	7	1	6	0	0	152	5	0	2	3	5	0	10	96	5	0	292
14:45	3	5	5	0	2	163	6	0	8	3	4	0	10	101	5	0	315
Total	10	6	11	0	2	315	11	0	10	6	9	0	20	197	10	0	607
15:00	1	5	5	0	5	181	10	0	4	3	5	0	14	116	6	0	355
15:15	9	5	7	0	5	182	10	0	3	2	5	0	12	96	7	0	343
15:30	3	2	11	0	4	210	10	0	3	2	8	0	14	134	7	0	408
15:45	5	3	9	0	0	248	9	0	4	5	4	0	6	93	6	0	392
Total	18	15	32	0	14	821	39	0	14	12	22	0	46	439	26	0	1498
16:00	3	3	15	0	3	230	6	0	4	1	13	0	16	114	10	0	418
16:15	4	3	13	0	2	265	9	0	4	2	9	0	14	116	10	0	451
16:30	5	3	7	0	1	265	4	0	3	0	6	0	8	103	8	0	413
16:45	4	2	12	0	3	281	9	0	3	2	7	0	15	103	3	0	444
Total	16	11	47	0	9	1041	28	0	14	5	35	0	53	436	31	0	1726
17:00	3	1	13	0	3	288	7	0	2	4	8	0	12	134	11	0	486
17:15	6	4	10	0	7	228	11	0	3	6	12	0	14	93	9	0	403
17:30	2	2	9	0	4	264	8	0	2	6	13	0	7	100	5	0	422
17:45	0	5	13	0	2	229	13	0	4	5	3	0	4	99	7	0	384
Total	11	12	45	0	16	1009	39	0	11	21	36	0	37	426	32	0	1695
Grand Total	105	74	204	0	70	3931	159	0	64	65	147	0	235	4036	144	0	9234
Apprch %	27.4	19.3	53.3	0	1.7	94.5	3.8	0	23.2	23.6	53.3	0	5.3	91.4	3.3	0	
Total %	1.1	0.8	2.2	0	0.8	42.6	1.7	0	0.7	0.7	1.6	0	2.5	43.7	1.6	0	



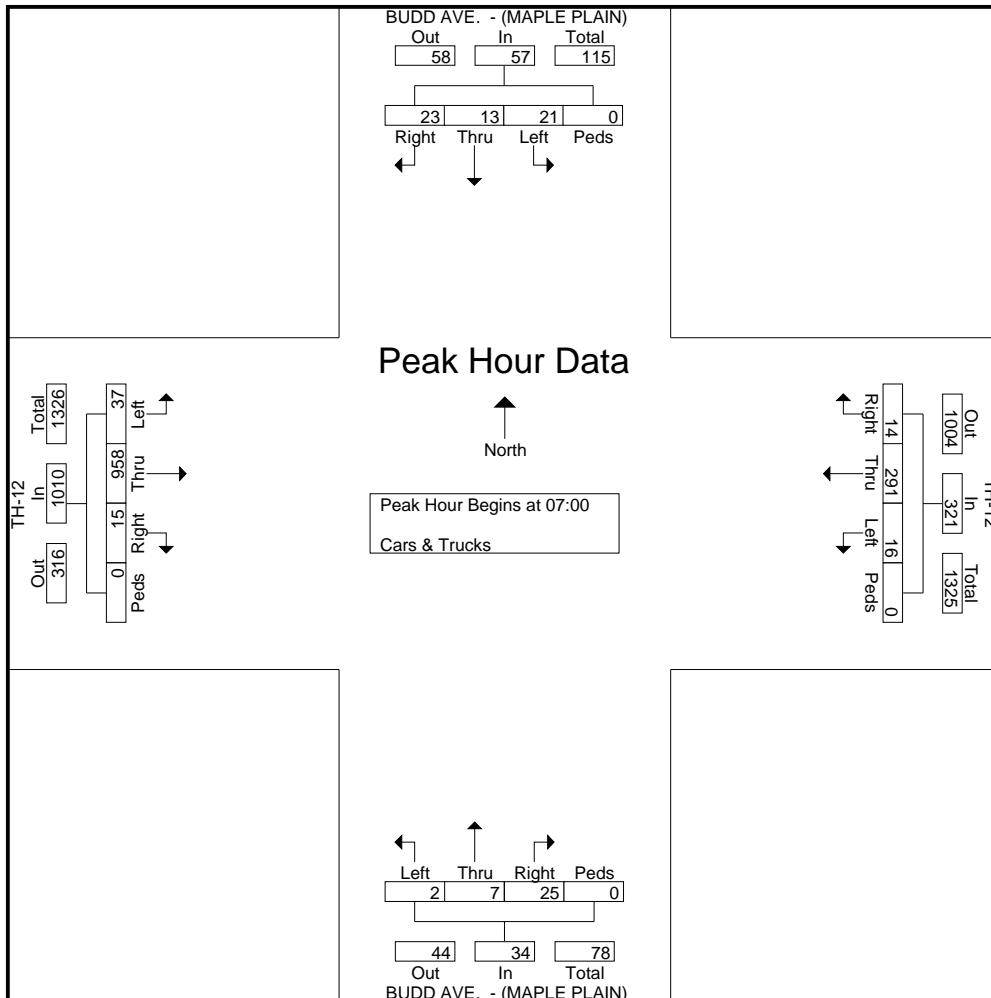
MINNESOTA DEPT OF TRANSPORTATION

TRAFFIC DATA COLLECTION - METRO

TH-12 at BUDD AVE. (MAPLE PLAIN)
 Ref.Pt.: 146.542
 JAMAR # D4-3358 DS
 TURN MOVEMENT COUNT

File Name : TH-12 AT BUDD AVE MAPLE PLAIN 2008
 Site Code : 00000000
 Start Date : 1/16/2008
 Page No : 2

Start Time	BUDD AVE. - (MAPLE PLAIN) Southbound					TH-12 Westbound					BUDD AVE. - (MAPLE PLAIN) Northbound					TH-12 Eastbound					Int. Total
	Left	Thru	Right	Peds	App. Total	Left	Thru	Right	Peds	App. Total	Left	Thru	Right	Peds	App. Total	Left	Thru	Right	Peds	App. Total	
Peak Hour Analysis From 06:00 to 08:45 - Peak 1 of 1																					
Peak Hour for Entire Intersection Begins at 07:00																					
07:00	6	2	1	0	9	5	58	2	0	65	0	1	6	0	7	5	284	4	0	293	374
07:15	6	2	8	0	16	6	63	4	0	73	1	1	5	0	7	10	258	4	0	272	368
07:30	3	3	7	0	13	2	81	1	0	84	0	3	8	0	11	7	241	4	0	252	360
07:45	6	6	7	0	19	3	89	7	0	99	1	2	6	0	9	15	175	3	0	193	320
Total Volume	21	13	23	0	57	16	291	14	0	321	2	7	25	0	34	37	958	15	0	1010	1422
% App. Total																					
PHF	.875	.542	.719	.000	.750	.667	.817	.500	.000	.811	.500	.583	.781	.000	.773	.617	.843	.938	.000	.862	.951





MINNESOTA DEPT OF TRANSPORTATION

TRAFFIC DATA COLLECTION - METRO

TH-12 at BUDD AVE. (MAPLE PLAIN)
 Ref.Pt.: 146.542
 JAMAR # D4-3358 DS
 TURN MOVEMENT COUNT

File Name : TH-12 AT BUDD AVE MAPLE PLAIN 2008
 Site Code : 00000000
 Start Date : 1/16/2008
 Page No : 3

Start Time	BUDD AVE. - (MAPLE PLAIN) Southbound					TH-12 Westbound					BUDD AVE. - (MAPLE PLAIN) Northbound					TH-12 Eastbound					Int. Total
	Left	Thru	Right	Peds	App. Total	Left	Thru	Right	Peds	App. Total	Left	Thru	Right	Peds	App. Total	Left	Thru	Right	Peds	App. Total	
Peak Hour Analysis From 15:00 to 17:45 - Peak 1 of 1																					
Peak Hour for Entire Intersection Begins at 16:15																					
16:15	4	3	13	0	20	2	265	9	0	276	4	2	9	0	15	14	116	10	0	140	451
16:30	5	3	7	0	15	1	265	4	0	270	3	0	6	0	9	8	103	8	0	119	413
16:45	4	2	12	0	18	3	281	9	0	293	3	2	7	0	12	15	103	3	0	121	444
17:00	3	1	13	0	17	3	288	7	0	298	2	4	8	0	14	12	134	11	0	157	486
Total Volume	16	9	45	0	70	9	1099	29	0	1137	12	8	30	0	50	49	456	32	0	537	1794
% App. Total	22.9	12.9	64.3	0		0.8	96.7	2.6	0		24	16	60	0		9.1	84.9	6	0		
PHF	.800	.750	.865	.000	.875	.750	.954	.806	.000	.954	.750	.500	.833	.000	.833	.817	.851	.727	.000	.855	.923

