

TRAFFIC DATA

US 212 & Reform St
 City: Norwood Young America
 Data by: Flow Labs
 Turning Movement Count

File Name: US 212 & Reform St 2024
 Dates: 9/3/2024 - 9/19/24, No Holidays, Average
 Day of Week: Tuesday, Wednesday, Thursday
 Page No.: 1

Start Time	Reform St Southbound				US 212 Westbound				Reform St Northbound				US 212 Eastbound				Int. Total
	Left	Thru	Right	Peds	Left	Thru	Right	Peds	Left	Thru	Right	Peds	Left	Thru	Right	Peds	
0:00	1	0	3	0	0	8	1	0	0	0	0	0	1	3	0	0	17
0:15	1	1	1	0	1	5	2	0	0	0	0	0	2	1	0	0	14
0:30	2	1	2	0	1	8	4	0	0	0	0	0	2	1	0	0	21
0:45	0	0	1	0	1	3	1	0	0	0	0	0	3	3	0	0	12
Total	4	2	7	0	3	24	8	0	0	0	0	0	8	8	0	0	64
1:00	0	0	1	0	0	3	1	0	0	0	0	0	1	2	0	0	8
1:15	1	1	2	0	1	4	2	0	1	0	0	0	3	3	0	0	18
1:30	1	1	1	0	0	2	1	0	0	0	0	0	2	4	0	0	12
1:45	2	0	0	0	1	4	1	0	0	0	0	0	1	3	0	0	12
Total	4	2	4	0	2	13	5	0	1	0	0	0	7	12	0	0	50
2:00	1	0	2	0	0	7	1	0	0	0	0	0	1	2	0	0	14
2:15	0	0	0	0	0	8	0	0	0	1	0	0	2	4	0	0	15
2:30	0	0	0	0	0	2	1	2	0	0	0	0	0	3	0	0	8
2:45	3	0	2	0	0	3	1	0	0	0	0	0	1	6	0	0	16
Total	4	0	4	0	0	20	3	2	0	1	0	0	4	15	0	0	53
3:00	1	0	1	0	1	4	0	0	0	0	0	0	0	2	0	0	9
3:15	1	0	1	0	0	7	1	0	0	0	0	0	1	5	0	0	16
3:30	3	0	3	0	0	3	0	0	0	1	1	0	2	5	0	0	18
3:45	1	0	1	0	0	4	2	0	0	0	0	0	2	14	0	0	24
Total	6	0	6	0	1	18	3	0	0	1	1	0	5	26	0	0	67
4:00	2	0	2	0	1	6	3	0	0	1	1	0	5	11	0	0	32
4:15	10	0	3	0	0	7	1	0	0	3	0	0	7	27	0	0	58
4:30	8	1	3	0	0	7	2	0	2	3	0	0	9	28	0	0	63
4:45	8	1	4	0	1	8	2	0	1	1	1	0	11	54	0	0	92
Total	28	2	12	0	2	28	8	0	3	8	2	0	32	120	0	0	245

TRAFFIC DATA

US 212 & Reform St
 City: Norwood Young America
 Data by: Flow Labs
 Turning Movement Count

File Name: US 212 & Reform St 2024
 Dates: 9/3/2024 - 9/19/24, No Holidays, Average
 Day of Week: Tuesday, Wednesday, Thursday
 Page No.: 2

Start Time	Reform St Southbound				US 212 Westbound				Reform St Northbound				US 212 Eastbound				Int. Total
	Left	Thru	Right	Peds	Left	Thru	Right	Peds	Left	Thru	Right	Peds	Left	Thru	Right	Peds	
5:00	9	0	11	0	1	7	5	0	0	8	1	0	16	37	0	0	95
5:15	17	0	8	0	0	17	9	0	1	7	1	0	20	74	2	0	156
5:30	17	2	11	0	1	28	8	0	0	15	2	0	27	62	2	0	175
5:45	24	4	18	0	1	22	8	0	1	10	2	0	36	58	2	0	186
Total	67	6	48	0	3	74	30	0	2	40	6	0	99	231	6	0	612
6:00	18	3	16	0	0	32	9	0	0	8	3	0	25	94	1	0	209
6:15	15	3	18	0	1	47	16	0	1	8	5	0	27	115	1	0	257
6:30	37	4	26	0	0	60	24	0	0	17	7	0	32	93	0	0	300
6:45	30	7	21	0	2	66	18	0	0	8	12	0	35	109	0	0	308
Total	100	17	81	0	3	205	67	0	1	41	27	0	119	411	2	0	1074
7:00	25	2	31	0	2	66	19	0	2	16	5	0	58	135	1	0	362
7:15	28	3	32	0	3	72	15	0	1	17	11	0	86	141	0	0	409
7:30	32	7	41	0	7	76	30	0	2	36	24	0	101	146	1	0	503
7:45	27	8	43	0	3	89	23	0	3	33	28	0	47	121	3	0	428
Total	112	20	147	0	15	303	87	0	8	102	68	0	292	543	5	0	1702
8:00	22	8	37	0	4	59	15	0	2	7	3	0	30	94	1	0	282
8:15	15	9	47	0	4	61	17	0	1	8	5	0	28	69	0	0	264
8:30	15	5	33	0	2	76	21	0	1	5	1	0	34	79	1	0	273
8:45	10	4	33	0	2	67	22	0	1	5	2	0	22	74	0	0	242
Total	62	26	150	0	12	263	75	0	5	25	11	0	114	316	2	0	1061
9:00	15	9	27	0	1	62	11	0	1	7	2	0	24	67	1	0	227
9:15	14	4	20	0	1	67	16	0	1	7	2	0	29	68	1	0	230
9:30	12	8	27	0	4	85	15	0	1	10	3	0	33	73	0	0	271
9:45	14	7	22	0	3	84	15	0	1	7	2	0	23	70	1	0	249
Total	55	28	96	0	9	298	57	0	4	31	9	0	109	278	3	0	977

TRAFFIC DATA

US 212 & Reform St
 City: Norwood Young America
 Data by: Flow Labs
 Turning Movement Count

File Name: US 212 & Reform St 2024
 Dates: 9/3/2024 - 9/19/24, No Holidays, Average
 Day of Week: Tuesday, Wednesday, Thursday
 Page No.: 3

Start Time	Reform St Southbound				US 212 Westbound				Reform St Northbound				US 212 Eastbound				Int. Total
	Left	Thru	Right	Peds	Left	Thru	Right	Peds	Left	Thru	Right	Peds	Left	Thru	Right	Peds	
10:00	11	3	22	0	5	66	15	0	1	4	2	0	22	63	1	0	215
10:15	15	9	27	0	1	63	15	0	1	7	2	0	23	65	0	0	228
10:30	11	5	29	0	4	66	15	0	1	5	3	0	30	70	0	0	239
10:45	16	8	21	0	3	62	11	2	2	8	2	0	31	70	1	0	237
Total	53	25		0	13	257	56	2	5	24	9	0	106	268	2	0	919
11:00	15	4	29	0	1	61	17	0	1	4	2	0	16	64	1	0	215
11:15	12	8	19	0	3	66	15	1	0	4	5	0	29	67	1	0	230
11:30	12	8	23	0	4	63	17	0	1	7	2	0	21	72	1	0	231
11:45	14	6	25	0	4	63	20	0	2	7	4	0	25	71	0	0	241
Total	53	26	96	0	12	253	69	1	4	22	13	0	91	274	3	0	917
12:00	16	4	26	0	3	59	14	1	0	5	3	0	26	77	1	0	235
12:15	12	9	24	0	1	74	12	0	1	4	3	0	22	76	1	0	239
12:30	11	7	22	0	1	69	15	0	0	5	1	0	28	67	1	0	227
12:45	9	4	29	0	3	67	12	0	3	3	2	0	22	71	3	0	228
Total	48	24	101	0	8	269	53	1	4	17	9	0	98	291	6	0	929
13:00	12	8	18	0	5	62	15	0	1	4	2	0	25	69	1	0	222
13:15	15	11	29	0	3	68	11	0	1	6	1	0	18	83	0	0	246
13:30	13	3	27	0	3	76	15	0	1	10	4	0	31	79	0	0	262
13:45	11	6	27	0	3	73	10	0	2	4	1	0	23	84	1	0	245
Total	51	28	101	0	14	279	51	0	5	24	8	0	97	315	2	0	975
14:00	6	10	21	0	2	66	19	0	1	9	5	0	30	83	1	0	253
14:15	12	6	26	0	3	73	16	1	1	10	2	0	38	93	1	0	282
14:30	11	8	32	0	2	90	18	0	2	7	1	0	46	75	2	0	294
14:45	13	11	42	0	4	83	36	0	0	10	4	0	47	86	2	0	338
Total	42	35	121	0	11	312	89	1	4	36	12	0	161	337	6	0	1167

TRAFFIC DATA

US 212 & Reform St
 City: Norwood Young America
 Data by: Flow Labs
 Turning Movement Count

File Name: US 212 & Reform St 2024
 Dates: 9/3/2024 - 9/19/24, No Holidays, Average
 Day of Week: Tuesday, Wednesday, Thursday
 Page No.: 4

Start Time	Reform St Southbound				US 212 Westbound				Reform St Northbound				US 212 Eastbound				Int. Total
	Left	Thru	Right	Peds	Left	Thru	Right	Peds	Left	Thru	Right	Peds	Left	Thru	Right	Peds	
15:00	14	17	37	0	4	83	31	0	0	10	3	0	33	95	1	0	328
15:15	21	19	56	0	15	131	53	0	5	7	4	0	34	89	0	0	434
15:30	18	12	57	0	4	124	46	0	3	10	2	0	50	90	2	0	418
15:45	12	11	54	0	4	133	33	0	1	16	2	0	41	95	2	0	404
Total	65	59	204	0	27	471	163	0	9	43	11	0	158	369	5	0	1584
16:00	16	12	51	0	4	114	27	0	1	14	5	0	36	95	1	0	376
16:15	17	16	57	0	7	119	23	0	2	12	4	0	41	90	1	0	389
16:30	17	18	46	0	8	118	41	0	1	22	4	0	46	93	2	0	416
16:45	19	16	51	0	4	103	36	0	3	15	4	0	38	106	2	0	397
Total	69	62	205	0	23	454	127	0	7	63	17	0	161	384	6	0	1578
17:00	19	16	52	0	8	114	36	0	2	12	4	0	37	88	2	0	390
17:15	19	20	48	0	13	106	33	0	2	12	1	0	29	98	2	0	383
17:30	15	14	48	0	7	121	37	0	1	15	2	0	40	62	0	0	362
17:45	17	17	50	0	9	103	27	0	1	18	4	0	35	71	0	0	352
Total	70	67	198	0	37	444	133	0	6	57	11	0	141	319	4	0	1487
18:00	17	9	46	0	3	81	32	0	0	8	3	0	26	67	1	0	293
18:15	23	17	40	0	7	70	22	0	1	15	3	0	31	66	1	0	296
18:30	12	13	29	0	2	88	14	0	1	12	3	0	27	56	1	0	258
18:45	14	7	24	0	5	57	17	0	1	7	3	0	44	54	0	0	233
Total	66	46	139	0	17	296	85	0	3	42	12	0	128	243	3	0	1080
19:00	16	11	21	0	3	63	10	0	1	5	5	0	18	52	1	0	206
19:15	14	12	22	0	2	34	4	0	1	9	2	0	11	19	0	0	130
19:30	10	16	31	0	3	35	10	1	1	4	2	0	7	25	0	0	145
19:45	16	10	15	0	2	36	9	0	0	8	1	0	13	28	0	0	138
Total	56	49	89	0	10	168	33	1	3	26	10	0	49	124	1	0	619

TRAFFIC DATA

US 212 & Reform St
 City: Norwood Young America
 Data by: Flow Labs
 Turning Movement Count

File Name: US 212 & Reform St 2024
 Dates: 9/3/2024 - 9/19/24, No Holidays, Average
 Day of Week: Tuesday, Wednesday, Thursday
 Page No.: 5

Start Time	Reform St Southbound				US 212 Westbound				Reform St Northbound				US 212 Eastbound				Int. Total
	Left	Thru	Right	Peds	Left	Thru	Right	Peds	Left	Thru	Right	Peds	Left	Thru	Right	Peds	
20:00	11	10	13	0	2	35	12	0	1	6	3	0	15	27	0	0	135
20:15	5	7	23	0	5	37	15	0	1	2	1	0	9	36	0	0	141
20:30	6	10	16	0	7	46	11	0	1	2	1	0	10	24	1	0	135
20:45	5	5	24	0	7	38	10	0	0	5	2	0	10	27	0	0	133
Total	27	32	76	0	21	156	48	0	3	15	7	0	44	114	1	0	544
21:00	7	1	17	0	3	37	10	0	1	3	0	0	7	25	1	0	112
21:15	5	4	15	0	2	29	7	0	0	3	1	0	10	19	0	0	95
21:30	9	7	10	0	1	34	7	0	0	1	1	0	6	18	0	0	94
21:45	2	2	9	0	3	40	8	0	1	2	0	0	8	22	0	0	97
Total	23	14	51	0	9	140	32	0	2	9	2	0	31	84	1	0	398
22:00	3	4	9	0	2	31	3	0	0	0	1	0	7	10	0	0	70
22:15	3	1	10	0	1	20	2	0	0	2	1	0	5	8	0	0	53
22:30	2	1	7	0	1	12	3	0	0	1	0	0	7	3	0	0	37
22:45	3	3	4	0	0	20	3	0	0	0	0	0	8	4	1	0	46
Total	11	9	30	0	4	83	11	0	0	3	2	0	27	25	1	0	206
23:00	1	0	5	0	1	18	3	0	0	0	0	0	2	6	1	0	37
23:15	1	1	4	0	2	11	4	0	0	0	0	0	5	8	0	0	36
23:30	0	1	5	0	1	4	1	0	0	1	0	0	2	8	0	0	23
23:45	0	1	4	0	1	10	2	0	1	0	0	0	1	4	1	0	25
Total	2	3	18	0	5	43	10	0	1	1	0	0	10	26	2	0	121
Grand Total	1078	582	1984	0	261	4871	1303	8	80	631	247	0	2091	5133	61	0	18330
Apprch %	29.6	16	54.4	0	4.05	75.6	20.2	0.12	8.35	65.9	25.8	0	28.7	70.5	0.84	0	
Total %	0.06	0.03	0.11	0	0.01	0.27	0.07	0	0	0.03	0.01	0	0.11	0.28	0	0	

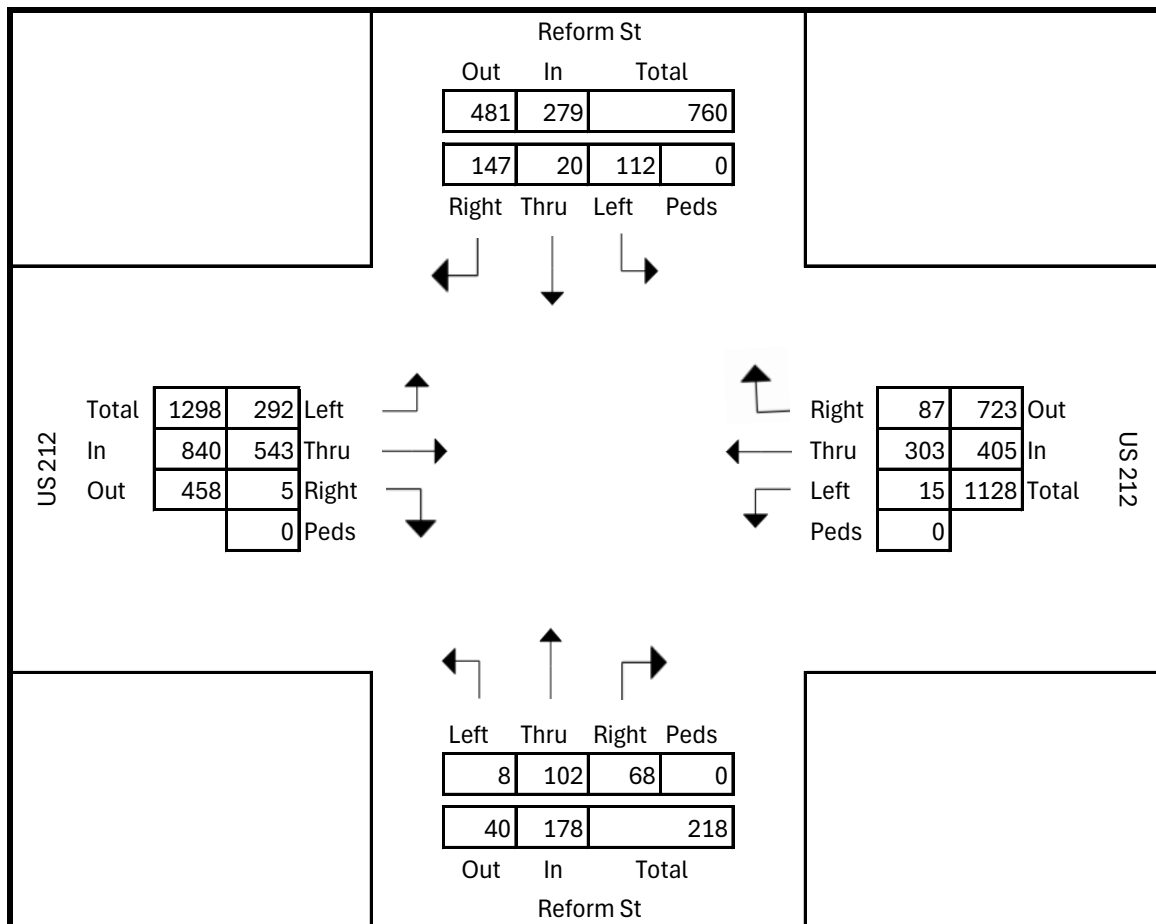
Mead & Hunt, Inc.
Bloomington, MN 55425

TRAFFIC DATA

US 212 & Reform St
City: Norwood Young America
Data by: Flow Labs
Turning Movement Count

File Name: US 212 & Reform St 2024
Dates: 9/3/2024 - 9/19/24, No Holidays, Average
Day of Week: Tuesday, Wednesday, Thursday
Page No.: 6

AM PEAK	Reform St Southbound				US 212 Westbound				Reform St Northbound				US 212 Eastbound				Int. Total
	Left	Thru	Right	Peds	Left	Thru	Right	Peds	Left	Thru	Right	Peds	Left	Thru	Right	Peds	
7:00	25	2	31	0	2	66	19	0	2	16	5	0	58	135	1	0	362
7:15	28	3	32	0	3	72	15	0	1	17	11	0	86	141	0	0	409
7:30	32	7	41	0	7	76	30	0	2	36	24	0	101	146	1	0	503
7:45	27	8	43	0	3	89	23	0	3	33	28	0	47	121	3	0	428
Total Volume	112	20	147	0	15	303	87	0	8	102	68	0	292	543	5	0	1702
% App. Total	40.1	7.17	52.7	0	3.7	74.8	21.5	0	4.49	57.3	38.2	0	34.8	64.6	0.6	0	
PHF	0.88	0.63	0.85	0	0.54	0.85	0.73	0	0.67	0.71	0.61	0	0.72	0.93	0.42	0	0.85
App. PHF	0.87				0.88				0.70				0.85				



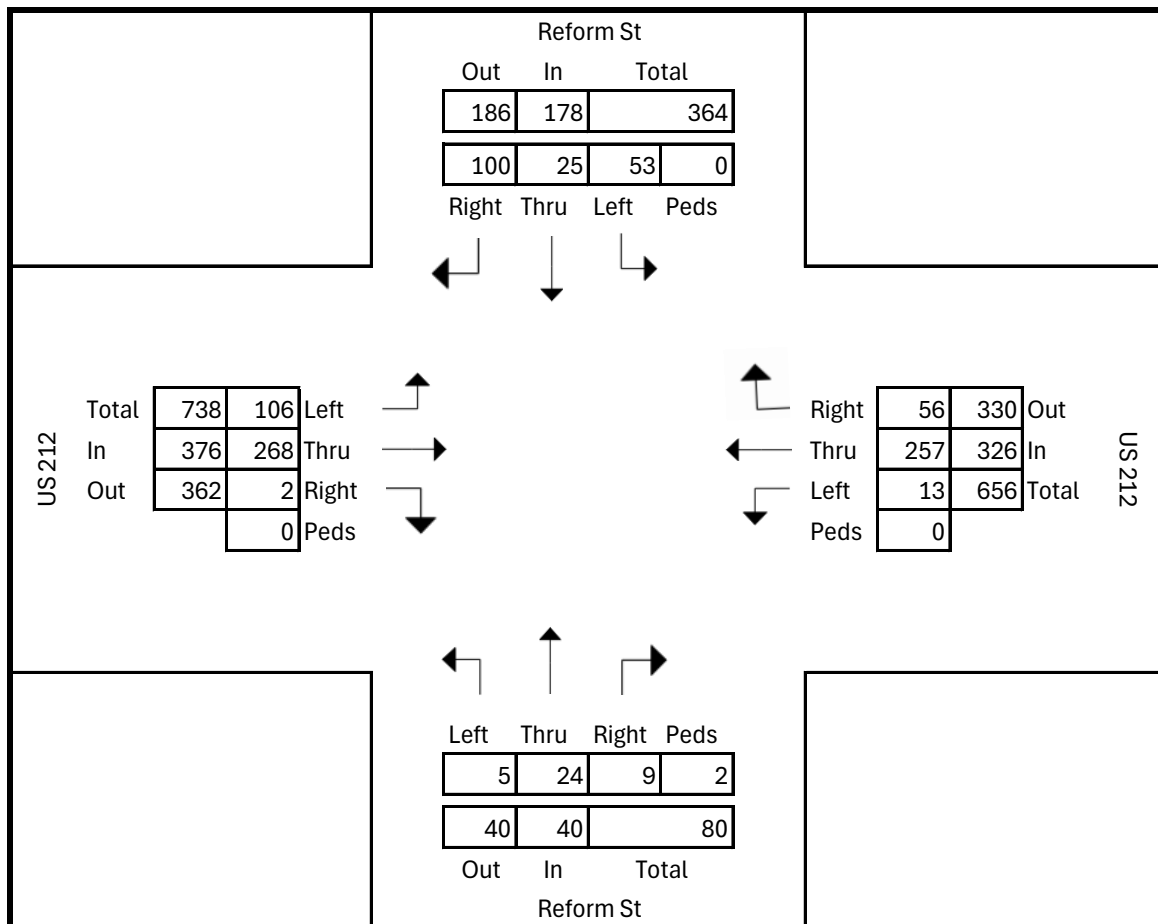
Mead & Hunt, Inc.
Bloomington, MN 55425

TRAFFIC DATA

US 212 & Reform St
City: Norwood Young America
Data by: Flow Labs
Turning Movement Count

File Name: US 212 & Reform St 2024
Dates: 9/3/2024 - 9/19/24, No Holidays, Average
Day of Week: Tuesday, Wednesday, Thursday
Page No.: 7

MID PEAK	Reform St Southbound				US 212 Westbound				Reform St Northbound				US 212 Eastbound				Int. Total
	Left	Thru	Right	Peds	Left	Thru	Right	Peds	Left	Thru	Right	Peds	Left	Thru	Right	Peds	
10:00	11	3	22	0	5	66	15	0	1	4	2	0	22	63	1	0	215
10:15	15	9	27	0	1	63	15	0	1	7	2	0	23	65	0	0	228
10:30	11	5	29	0	4	66	15	0	1	5	3	0	30	70	0	0	239
10:45	16	8	22	0	3	62	11	0	2	8	2	2	31	70	1	0	238
Total Volume	53	25	100	0	13	257	56	0	5	24	9	2	106	268	2	0	920
% App. Total	29.8	14	56.2	0	3.99	78.8	17.2	0	12.5	60	22.5	5	28.2	71.3	0.53	0	
PHF	0.83	0.69	0.86	0	0.65	0.97	0.93	0	0.63	0.75	0.75	0.25	0.85	0.96	0.5	0	0.96
App. PHF	0.87				0.95				0.71				0.92				



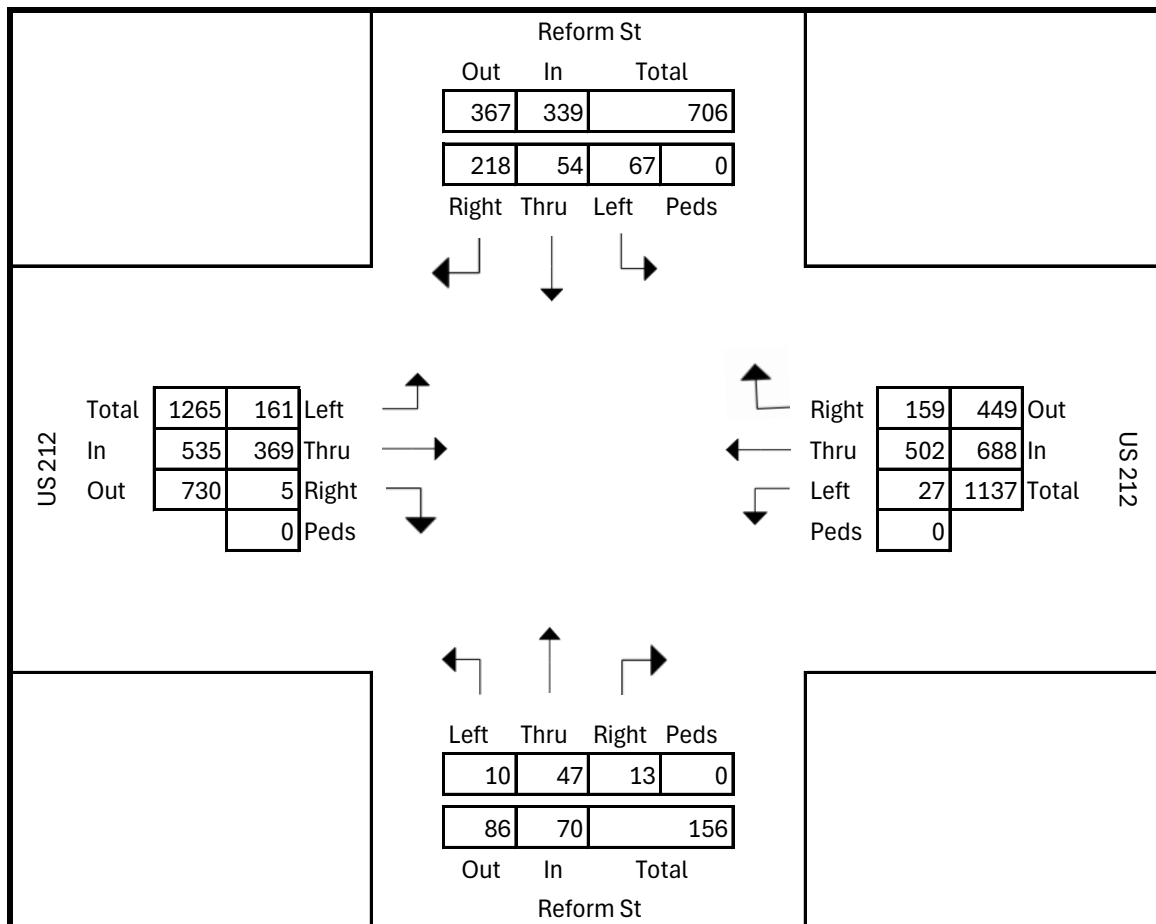
Mead & Hunt, Inc.
Bloomington, MN 55425

TRAFFIC DATA

US 212 & Reform St
City: Norwood Young America
Data by: Flow Labs
Turning Movement Count

File Name: US 212 & Reform St 2024
Dates: 9/3/2024 - 9/19/24, No Holidays, Average
Day of Week: Tuesday, Wednesday, Thursday
Page No.: 8

PM PEAK	Reform St Southbound				US 212 Westbound				Reform St Northbound				US 212 Eastbound				Int. Total
	Left	Thru	Right	Peds	Left	Thru	Right	Peds	Left	Thru	Right	Peds	Left	Thru	Right	Peds	
15:15	21	19	56	0	15	131	53	0	5	7	4	0	34	89	0	0	434
15:30	18	12	57	0	4	124	46	0	3	10	2	0	50	90	2	0	418
15:45	12	11	54	0	4	133	33	0	1	16	2	0	41	95	2	0	404
16:00	16	12	51	0	4	114	27	0	1	14	5	0	36	95	1	0	376
Total Volume	67	54	218	0	27	502	159	0	10	47	13	0	161	369	5	0	1632
% App. Total	19.8	15.9	64.3	0	3.92	73	23.1	0	14.3	67.1	18.6	0	30.1	69	0.93	0	
PHF	0.8	0.71	0.96	0	0.45	0.94	0.75	0	0.5	0.73	0.65	0	0.81	0.97	0.63	0	0.94
App. PHF	0.88				0.86				0.88				0.94				



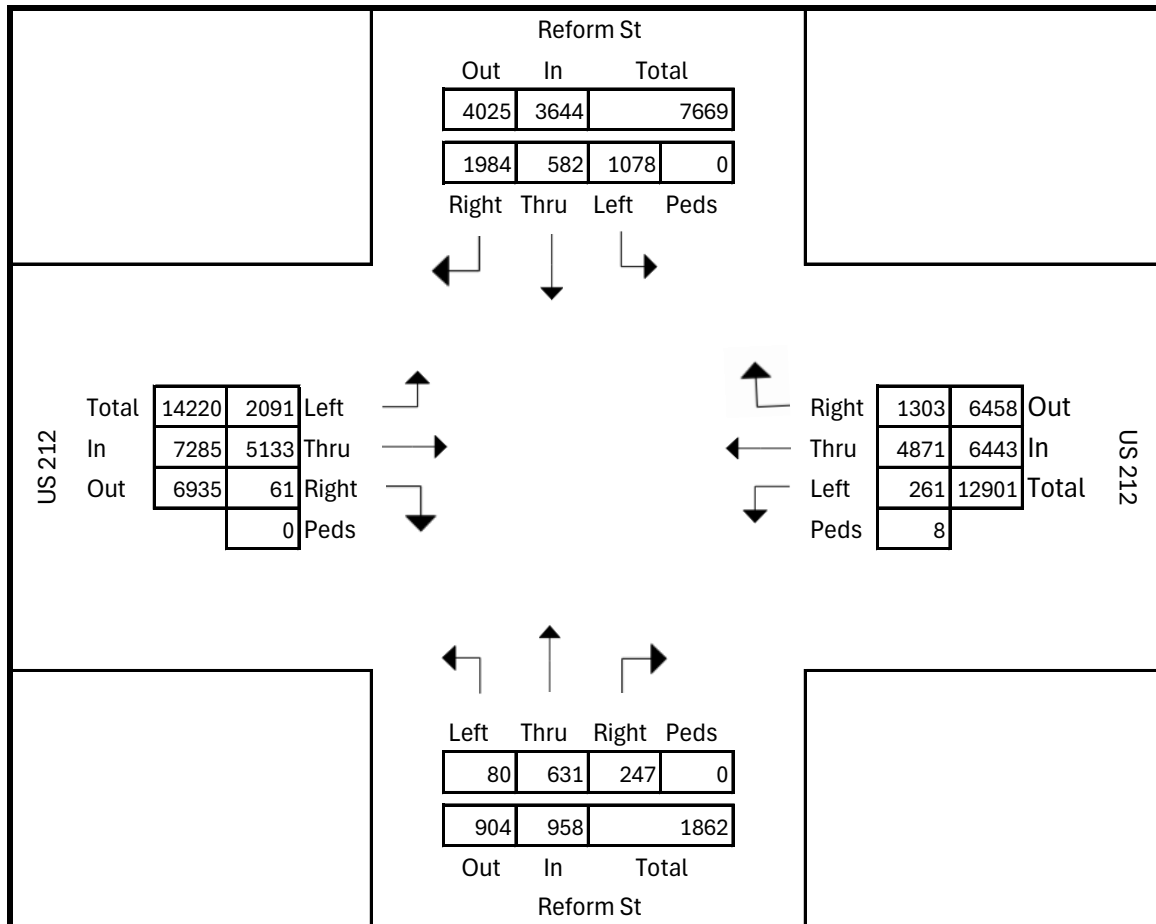
Mead & Hunt, Inc.
Bloomington, MN 55425

TRAFFIC DATA

US 212 & Reform St
City: Norwood Young America
Data by: Flow Labs
Turning Movement Count

File Name: US 212 & Reform St 2024
Dates: 9/3/2024 - 9/19/24, No Holidays, Average
Day of Week: Tuesday, Wednesday, Thursday
Page No.: 9

24 HOUR	Reform St Southbound				US 212 Westbound				Reform St Northbound				US 212 Eastbound				Int. Total
	Left	Thru	Right	Peds	Left	Thru	Right	Peds	Left	Thru	Right	Peds	Left	Thru	Right	Peds	
Total Volume	1078	582	1984	0	261	4871	1303	8	80	631	247	0	2091	5133	61	0	18330
% App. Total	29.6	16	54.4	0	4.05	75.6	20.2	0.12	8.35	65.9	25.8	0	28.7	70.5	0.84	0	



Mead & Hunt, Inc.
Bloomington, MN 55425

TRAFFIC DATA

US 212 & Reform St
City: Norwood Young America
Data by: Flow Labs
Turning Movement Count

File Name: US 212 & Reform St 2024
Dates: 9/3/2024 - 9/19/24, No Holidays, Average
Day of Week: Tuesday, Wednesday, Thursday
Page No.: 10

Intersection Volume By Time Of Day

