

Alliant Engineering Inc Minneapolis, MN 55415

Flying Cloud Drive at Anderson Lake Pkwy File Name : 03_Flying Cloud Drive at Anderson Lakes Parkway
 Eden Prairie Site Code : 00000003
 data by: Alliant Engineering Inc Start Date : 10/13/2009
 TURN MOVEMENT COUNT Page No : 1

Groups Printed- Unshifted - Bank 1

Start Time	Flying Cloud Drive (TH 212) Southbound				Anderson Lakes Parkway Westbound				Flying Cloud Drive (TH 212) Northbound				Anderson Lakes Parkway Eastbound				Int. Total
	Left	Thru	Right	Peds	Left	Thru	Right	Peds	Left	Thru	Right	Peds	Left	Thru	Right	Peds	
06:30	3	57	13	0	5	30	16	0	11	147	3	0	31	21	1	1	339
06:45	5	73	30	0	2	45	39	0	19	235	2	0	33	17	0	0	500
Total	8	130	43	0	7	75	55	0	30	382	5	0	64	38	1	1	839
07:00	8	84	33	0	2	53	60	0	25	228	3	0	63	32	0	0	591
07:15	5	94	37	0	7	126	37	0	36	292	9	0	74	32	1	0	750
07:30	13	120	36	0	4	80	62	2	28	401	2	0	89	84	0	0	921
07:45	12	156	31	0	6	53	57	1	21	318	2	0	51	53	2	0	763
Total	38	454	137	0	19	312	216	3	110	1239	16	0	277	201	3	0	3025
08:00	24	79	34	0	3	46	47	0	33	246	8	0	36	34	3	0	593
08:15	9	84	32	0	3	47	41	0	24	238	1	0	47	35	2	0	563
08:30	23	87	20	0	4	49	31	0	23	185	3	0	46	30	0	0	501
08:45	8	92	20	0	1	56	27	0	19	197	5	0	32	21	2	0	480
Total	64	342	106	0	11	198	146	0	99	866	17	0	161	120	7	0	2137
09:00	11	62	19	0	4	72	43	0	12	113	3	0	31	21	2	0	393
09:15	15	64	13	0	4	34	27	1	16	106	4	0	30	14	1	1	330
*** BREAK ***																	
Total	26	126	32	0	8	106	70	1	28	219	7	0	61	35	3	1	723
*** BREAK ***																	
10:30	11	71	22	0	5	26	16	0	9	99	3	0	21	21	3	0	307
10:45	20	87	19	0	4	34	22	0	13	117	3	0	31	15	3	0	368
Total	31	158	41	0	9	60	38	0	22	216	6	0	52	36	6	0	675
11:00	7	79	26	0	6	25	24	0	13	99	2	0	44	20	3	0	348
11:15	17	94	26	0	5	19	26	0	11	139	3	0	35	26	0	0	401
11:30	24	110	35	0	1	31	36	0	8	159	6	0	37	39	3	0	489
11:45	30	128	42	0	5	31	36	0	20	166	6	0	43	27	3	0	537
Total	78	411	129	0	17	106	122	0	52	563	17	0	159	112	9	0	1775
12:00	20	113	44	0	3	37	25	0	16	158	3	0	43	27	7	0	496
12:15	21	162	47	0	4	33	27	0	23	123	6	0	51	30	7	1	535
12:30	16	159	39	0	4	28	24	1	7	134	7	0	38	31	1	0	489
12:45	16	133	47	0	3	35	17	0	18	124	1	1	45	28	5	0	473
Total	73	567	177	0	14	133	93	1	64	539	17	1	177	116	20	1	1993
13:00	14	134	42	0	7	26	28	0	22	143	4	0	39	27	4	0	490
13:15	18	120	45	0	5	22	24	0	11	105	2	0	33	28	2	0	415
*** BREAK ***																	
Total	32	254	87	0	12	48	52	0	33	248	6	0	72	55	6	0	905
*** BREAK ***																	
14:30	18	121	37	0	4	50	23	0	11	125	12	0	39	22	7	0	469
14:45	15	118	54	0	8	29	16	3	10	97	7	0	29	37	9	0	432
Total	33	239	91	0	12	79	39	3	21	222	19	0	68	59	16	0	901
15:00	17	135	42	0	2	36	14	0	19	111	2	0	38	56	6	3	481
15:15	33	154	41	0	3	34	15	0	17	98	4	1	53	53	12	0	518
15:30	19	184	26	0	4	59	18	0	8	135	4	0	31	56	2	1	547
15:45	20	158	57	0	5	58	18	0	20	99	2	0	32	53	16	0	538
Total	89	631	166	0	14	187	65	0	64	443	12	1	154	218	36	4	2084
16:00	18	254	56	0	2	48	30	0	20	120	3	0	50	52	20	0	673
16:15	44	213	67	0	7	44	16	1	23	122	5	1	47	45	8	0	643
16:30	52	278	66	0	10	58	24	0	26	127	3	0	44	79	14	0	781
16:45	46	261	83	0	9	46	26	0	23	108	8	0	45	68	16	0	739
Total	160	1006	272	0	28	196	96	1	92	477	19	1	186	244	58	0	2836

Alliant Engineering Inc Minneapolis, MN 55415

Flying Cloud Drive at Anderson Lake Pkwy File Name : 03_Flying Cloud Drive at Anderson Lakes Parkway
 Eden Prairie Site Code : 00000003
 data by: Alliant Engineering Inc Start Date : 10/13/2009
 TURN MOVEMENT COUNT Page No : 2

Groups Printed- Unshifted - Bank 1

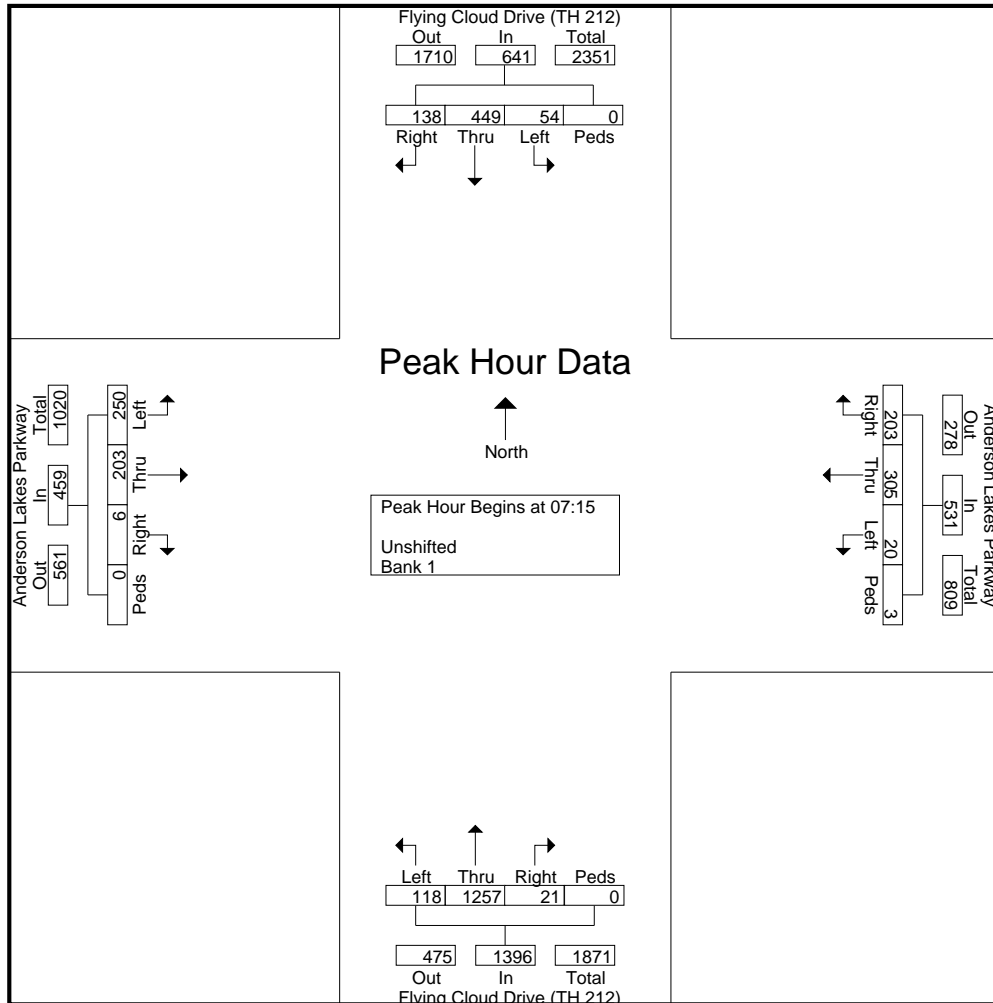
Start Time	Flying Cloud Drive (TH 212) Southbound				Anderson Lakes Parkway Westbound				Flying Cloud Drive (TH 212) Northbound				Anderson Lakes Parkway Eastbound				Int. Total
	Left	Thru	Right	Peds	Left	Thru	Right	Peds	Left	Thru	Right	Peds	Left	Thru	Right	Peds	
17:00	54	266	100	0	8	54	23	0	29	127	9	0	63	86	12	0	831
17:15	54	254	122	0	11	83	39	0	15	122	10	0	69	94	12	1	886
17:30	49	262	91	0	10	69	25	1	28	134	9	0	51	64	12	0	805
17:45	58	269	100	0	13	59	33	1	21	100	7	0	36	54	5	0	756
Total	215	1051	413	0	42	265	120	2	93	483	35	0	219	298	41	1	3278
18:00	33	134	56	0	7	39	28	1	20	107	2	0	57	49	21	1	555
18:15	32	163	45	0	5	40	37	0	20	102	1	0	39	38	2	0	524
18:30	25	134	53	0	8	51	30	0	6	87	6	0	32	36	12	0	480
18:45	22	127	42	0	6	24	24	1	14	76	3	0	30	31	4	0	404
Total	112	558	196	0	26	154	119	2	60	372	12	0	158	154	39	1	1963
Grand Total	959	5927	1890	0	219	1919	1231	13	768	6269	188	3	1808	1686	245	9	23134
Apprch %	10.9	67.5	21.5	0	6.5	56.7	36.4	0.4	10.6	86.7	2.6	0	48.2	45	6.5	0.2	
Total %	4.1	25.6	8.2	0	0.9	8.3	5.3	0.1	3.3	27.1	0.8	0	7.8	7.3	1.1	0	
Unshifted	949	5868	1869	0	213	1804	1210	13	740	6091	172	3	1788	1605	225	9	22559
% Unshifted	99	99	98.9	0	97.3	94	98.3	100	96.4	97.2	91.5	100	98.9	95.2	91.8	100	97.5
Bank 1	10	59	21	0	6	115	21	0	28	178	16	0	20	81	20	0	575
% Bank 1	1	1	1.1	0	2.7	6	1.7	0	3.6	2.8	8.5	0	1.1	4.8	8.2	0	2.5

Alliant Engineering Inc Minneapolis, MN 55415

Flying Cloud Drive at Anderson Lake Pkwy
Eden Prairie
data by: Alliant Engineering Inc
TURN MOVEMENT COUNT

File Name : 03_Flying Cloud Drive at Anderson Lakes Parkway
Site Code : 00000003
Start Date : 10/13/2009
Page No : 3

Start Time	Flying Cloud Drive (TH 212) Southbound					Anderson Lakes Parkway Westbound					Flying Cloud Drive (TH 212) Northbound					Anderson Lakes Parkway Eastbound					Int. Total
	Left	Thru	Right	Peds	App. Total	Left	Thru	Right	Peds	App. Total	Left	Thru	Right	Peds	App. Total	Left	Thru	Right	Peds	App. Total	
Peak Hour Analysis From 06:30 to 09:15 - Peak 1 of 1																					
Peak Hour for Entire Intersection Begins at 07:15																					
07:15	5	94	37	0	136	7	126	37	0	170	36	292	9	0	337	74	32	1	0	107	750
07:30	13	120	36	0	169	4	80	62	2	148	28	401	2	0	431	89	84	0	0	173	921
07:45	12	156	31	0	199	6	53	57	1	117	21	318	2	0	341	51	53	2	0	106	763
08:00	24	79	34	0	137	3	46	47	0	96	33	246	8	0	287	36	34	3	0	73	593
Total Volume	54	449	138	0	641	20	305	203	3	531	118	1257	21	0	1396	250	203	6	0	459	3027
% App. Total	8.4	70	21.5	0		3.8	57.4	38.2	0.6		8.5	90	1.5	0		54.5	44.2	1.3	0		
PHF	.563	.720	.932	.000	.805	.714	.605	.819	.375	.781	.819	.784	.583	.000	.810	.702	.604	.500	.000	.663	.822



Alliant Engineering Inc Minneapolis, MN 55415

Flying Cloud Drive at Anderson Lake Pkwy
Eden Prairie
data by: Alliant Engineering Inc
TURN MOVEMENT COUNT

File Name : 03_Flying Cloud Drive at Anderson Lakes Parkway
Site Code : 00000003
Start Date : 10/13/2009
Page No : 4

Start Time	Flying Cloud Drive (TH 212) Southbound					Anderson Lakes Parkway Westbound					Flying Cloud Drive (TH 212) Northbound					Anderson Lakes Parkway Eastbound					Int. Total
	Left	Thru	Right	Peds	App. Total	Left	Thru	Right	Peds	App. Total	Left	Thru	Right	Peds	App. Total	Left	Thru	Right	Peds	App. Total	
Peak Hour Analysis From 15:00 to 18:45 - Peak 1 of 1																					
Peak Hour for Entire Intersection Begins at 17:00																					
17:00	54	266	100	0	420	8	54	23	0	85	29	127	9	0	165	63	86	12	0	161	831
17:15	54	254	122	0	430	11	83	39	0	133	15	122	10	0	147	69	94	12	1	176	886
17:30	49	262	91	0	402	10	69	25	1	105	28	134	9	0	171	51	64	12	0	127	805
17:45	58	269	100	0	427	13	59	33	1	106	21	100	7	0	128	36	54	5	0	95	756
Total Volume	215	1051	413	0	1679	42	265	120	2	429	93	483	35	0	611	219	298	41	1	559	3278
% App. Total	12.8	62.6	24.6	0		9.8	61.8	28	0.5		15.2	79.1	5.7	0		39.2	53.3	7.3	0.2		
PHF	.927	.977	.846	.000	.976	.808	.798	.769	.500	.806	.802	.901	.875	.000	.893	.793	.793	.854	.250	.794	.925

