

# Alliant Engineering Inc Minneapolis, MN 55415

Prairie Center Dr at Regional Center Rd  
Eden Prairie  
data by : Alliant Engineering  
TURN MOVEMENT COUNT

File Name : 20\_Prairie Center Drive at Columbine Road  
Site Code : 00000020  
Start Date : 10/20/2009  
Page No : 1

### Groups Printed- Unshifted - Bank 1

Start Time	Prairie Center Drive Southbound				Regional Center Road Westbound				Prairie Center Drive Northbound				Columbine Road Eastbound				Int. Total
	Left	Thru	Right	Peds	Left	Thru	Right	Peds	Left	Thru	Right	Peds	Left	Thru	Right	Peds	
06:30	1	47	5	0	1	1	4	0	0	48	1	0	16	6	3	0	133
06:45	4	62	10	0	1	2	2	0	0	100	1	0	11	6	3	0	202
Total	5	109	15	0	2	3	6	0	0	148	2	0	27	12	6	0	335
07:00	5	55	18	0	1	3	3	0	0	121	2	1	30	6	1	0	246
07:15	12	69	23	0	0	2	5	0	0	129	1	0	34	5	3	0	283
07:30	14	80	18	0	1	3	9	2	4	137	6	0	37	13	5	0	329
07:45	7	95	19	0	1	2	9	0	3	140	3	0	45	9	5	0	338
Total	38	299	78	0	3	10	26	2	7	527	12	1	146	33	14	0	1196
08:00	5	75	16	0	0	1	6	0	8	110	2	0	34	5	2	0	264
08:15	11	91	24	0	5	0	5	0	4	121	5	1	43	4	3	0	317
08:30	13	108	22	0	3	1	6	1	4	129	3	0	47	8	3	0	348
08:45	13	89	30	0	1	3	11	0	3	108	3	1	37	8	7	0	314
Total	42	363	92	0	9	5	28	1	19	468	13	2	161	25	15	0	1243
09:00	17	102	20	0	5	4	9	0	2	81	1	0	27	12	2	0	282
09:15	16	77	25	0	2	2	19	0	4	87	5	0	25	10	5	0	277
*** BREAK ***																	
Total	33	179	45	0	7	6	28	0	6	168	6	0	52	22	7	0	559
*** BREAK ***																	
10:30	11	118	18	0	6	6	21	0	2	92	10	0	24	14	5	0	327
10:45	11	117	21	0	7	9	19	0	14	84	2	0	26	9	7	0	326
Total	22	235	39	0	13	15	40	0	16	176	12	0	50	23	12	0	653
11:00	18	125	37	0	3	4	18	0	5	103	6	0	24	11	4	1	359
11:15	12	178	34	0	3	4	23	0	10	125	8	0	41	18	20	0	476
11:30	20	203	42	0	8	15	25	0	10	115	14	0	55	25	16	0	548
11:45	23	235	50	0	3	8	39	0	18	155	11	0	49	19	15	0	625
Total	73	741	163	0	17	31	105	0	43	498	39	0	169	73	55	1	2008
12:00	22	209	49	0	6	18	45	0	16	165	6	0	49	21	15	0	621
12:15	25	200	41	0	6	9	35	0	17	225	14	0	53	24	10	0	659
12:30	26	194	44	1	8	6	33	0	16	180	8	0	59	19	13	0	607
12:45	26	187	59	0	9	13	55	0	12	174	13	0	58	21	16	0	643
Total	99	790	193	1	29	46	168	0	61	744	41	0	219	85	54	0	2530
13:00	22	187	42	0	8	11	46	0	13	193	14	0	38	18	13	0	605
13:15	14	163	37	0	10	17	44	0	10	172	6	0	48	16	9	0	546
*** BREAK ***																	
Total	36	350	79	0	18	28	90	0	23	365	20	0	86	34	22	0	1151
*** BREAK ***																	
14:30	15	142	31	0	6	12	46	0	8	135	5	0	47	13	11	0	471
14:45	6	145	35	0	6	14	26	0	6	116	6	1	34	12	10	0	417
Total	21	287	66	0	12	26	72	0	14	251	11	1	81	25	21	0	888
15:00	10	169	24	1	6	5	31	0	13	110	5	0	37	21	7	0	439
15:15	13	161	36	0	3	8	22	0	12	110	8	0	26	9	11	0	419
15:30	22	153	40	0	6	17	24	0	12	137	12	0	44	14	9	0	490
15:45	13	174	37	0	4	8	22	0	14	122	10	0	37	12	7	0	460
Total	58	657	137	1	19	38	99	0	51	479	35	0	144	56	34	0	1808
16:00	18	171	27	0	6	13	34	0	15	155	10	0	36	11	7	0	503
16:15	17	216	57	0	3	14	24	1	5	109	8	1	31	12	6	1	505
16:30	19	205	55	0	9	16	44	0	10	134	6	0	47	22	18	0	585
16:45	14	253	63	0	11	15	41	0	20	145	10	0	48	14	10	0	644
Total	68	845	202	0	29	58	143	1	50	543	34	1	162	59	41	1	2237

# Alliant Engineering Inc Minneapolis, MN 55415

Prairie Center Dr at Regional Center Rd  
Eden Prairie  
data by : Alliant Engineering  
TURN MOVEMENT COUNT

File Name : 20\_Prairie Center Drive at Columbine Road  
Site Code : 00000020  
Start Date : 10/20/2009  
Page No : 2

### Groups Printed- Unshifted - Bank 1

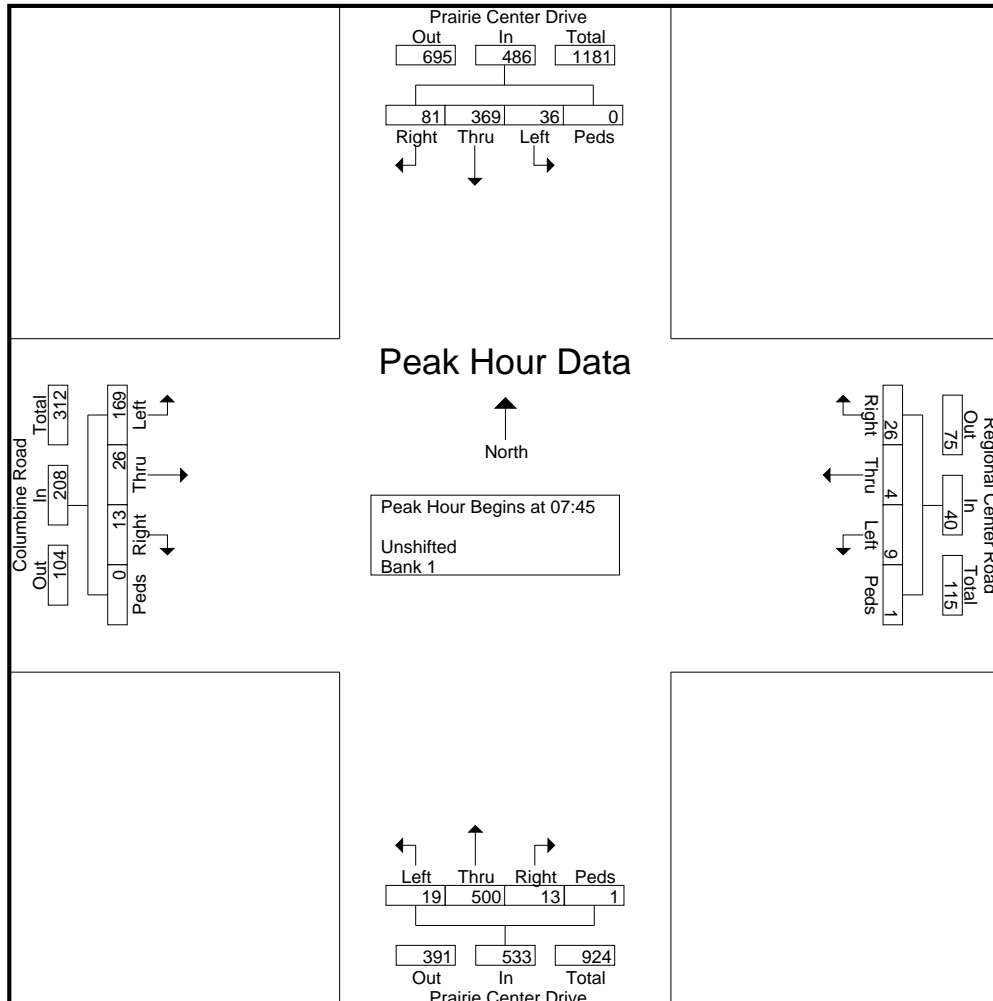
Start Time	Prairie Center Drive Southbound				Regional Center Road Westbound				Prairie Center Drive Northbound				Columbine Road Eastbound				Int. Total
	Left	Thru	Right	Peds	Left	Thru	Right	Peds	Left	Thru	Right	Peds	Left	Thru	Right	Peds	
17:00	12	205	67	0	8	17	27	0	14	152	6	0	44	14	12	0	578
17:15	15	252	94	0	9	18	31	0	18	152	10	0	38	19	12	0	668
17:30	15	194	69	0	10	19	45	0	7	152	11	0	48	19	15	0	604
17:45	23	245	74	0	6	12	37	0	19	143	6	0	43	24	11	0	643
Total	65	896	304	0	33	66	140	0	58	599	33	0	173	76	50	0	2493
18:00	10	204	50	0	15	25	30	0	11	136	3	0	36	21	6	0	547
18:15	12	211	63	0	6	7	29	0	15	147	10	0	29	11	13	0	553
18:30	14	122	56	0	4	13	36	0	5	144	8	0	46	16	6	0	470
18:45	15	134	44	0	8	15	27	0	9	147	6	4	31	6	10	0	456
Total	51	671	213	0	33	60	122	0	40	574	27	4	142	54	35	0	2026
Grand Total	611	6422	1626	2	224	392	1067	4	388	5540	285	9	1612	577	366	2	19127
Apprch %	7.1	74.1	18.8	0	13.3	23.2	63.2	0.2	6.2	89	4.6	0.1	63	22.6	14.3	0.1	
Total %	3.2	33.6	8.5	0	1.2	2	5.6	0	2	29	1.5	0	8.4	3	1.9	0	
Unshifted	608	6294	1607	2	221	390	1057	4	384	5437	282	9	1601	569	361	2	18828
% Unshifted	99.5	98	98.8	100	98.7	99.5	99.1	100	99	98.1	98.9	100	99.3	98.6	98.6	100	98.4
Bank 1	3	128	19	0	3	2	10	0	4	103	3	0	11	8	5	0	299
% Bank 1	0.5	2	1.2	0	1.3	0.5	0.9	0	1	1.9	1.1	0	0.7	1.4	1.4	0	1.6

# Alliant Engineering Inc Minneapolis, MN 55415

Prairie Center Dr at Regional Center Rd  
Eden Prairie  
data by : Alliant Engineering  
TURN MOVEMENT COUNT

File Name : 20\_Prairie Center Drive at Columbine Road  
Site Code : 00000020  
Start Date : 10/20/2009  
Page No : 3

Start Time	Prairie Center Drive Southbound					Regional Center Road Westbound					Prairie Center Drive Northbound					Columbine Road Eastbound					Int. Total
	Left	Thru	Right	Peds	App. Total	Left	Thru	Right	Peds	App. Total	Left	Thru	Right	Peds	App. Total	Left	Thru	Right	Peds	App. Total	
Peak Hour Analysis From 06:30 to 09:15 - Peak 1 of 1																					
Peak Hour for Entire Intersection Begins at 07:45																					
07:45	7	95	19	0	121	1	2	9	0	12	3	140	3	0	146	45	9	5	0	59	338
08:00	5	75	16	0	96	0	1	6	0	7	8	110	2	0	120	34	5	2	0	41	264
08:15	11	91	24	0	126	5	0	5	0	10	4	121	5	1	131	43	4	3	0	50	317
08:30	13	108	22	0	143	3	1	6	1	11	4	129	3	0	136	47	8	3	0	58	348
Total Volume	36	369	81	0	486	9	4	26	1	40	19	500	13	1	533	169	26	13	0	208	1267
% App. Total	7.4	75.9	16.7	0		22.5	10	65	2.5		3.6	93.8	2.4	0.2		81.2	12.5	6.2	0		
PHF	.692	.854	.844	.000	.850	.450	.500	.722	.250	.833	.594	.893	.650	.250	.913	.899	.722	.650	.000	.881	.910



# Alliant Engineering Inc Minneapolis, MN 55415

Prairie Center Dr at Regional Center Rd  
Eden Prairie  
data by : Alliant Engineering  
TURN MOVEMENT COUNT

File Name : 20\_Prairie Center Drive at Columbine Road  
Site Code : 00000020  
Start Date : 10/20/2009  
Page No : 4

Start Time	Prairie Center Drive Southbound					Regional Center Road Westbound					Prairie Center Drive Northbound					Columbine Road Eastbound					Int. Total
	Left	Thru	Right	Peds	App. Total	Left	Thru	Right	Peds	App. Total	Left	Thru	Right	Peds	App. Total	Left	Thru	Right	Peds	App. Total	
Peak Hour Analysis From 14:30 to 18:45 - Peak 1 of 1																					
Peak Hour for Entire Intersection Begins at 16:45																					
16:45	14	253	63	0	330	11	15	41	0	67	20	145	10	0	175	48	14	10	0	72	644
17:00	12	205	67	0	284	8	17	27	0	52	14	152	6	0	172	44	14	12	0	70	578
17:15	15	252	94	0	361	9	18	31	0	58	18	152	10	0	180	38	19	12	0	69	668
17:30	15	194	69	0	278	10	19	45	0	74	7	152	11	0	170	48	19	15	0	82	604
Total Volume	56	904	293	0	1253	38	69	144	0	251	59	601	37	0	697	178	66	49	0	293	2494
% App. Total	4.5	72.1	23.4	0		15.1	27.5	57.4	0		8.5	86.2	5.3	0		60.8	22.5	16.7	0		
PHF	.933	.893	.779	.000	.868	.864	.908	.800	.000	.848	.738	.988	.841	.000	.968	.927	.868	.817	.000	.893	.933

