

Alliant Engineering Inc Minneapolis, MN 55415

Prairie Center Dr at Technology Dr/ TH-5
Eden Prairie
data by: Alliant Engineering
TURN MOVEMENT COUNT

File Name : 24_Prairie Center Drive at TH 5 S jct
Site Code : 00000024
Start Date : 10/22/2009
Page No : 1

Groups Printed- Unshifted - Bank 1

Start Time	Prairie Center Drive Southbound				Technology Drive Westbound				Prairie Center Drive Northbound				ramp from EB TH-5/TH-212 Eastbound				Int. Total
	Left	Thru	Right	Peds	Left	Thru	Right	Peds	Left	Thru	Right	Peds	Left	Thru	Right	Peds	
06:30	15	78	21	0	6	6	7	0	11	42	2	0	25	17	39	1	270
06:45	26	141	17	0	6	3	7	0	28	53	6	0	34	32	55	0	408
Total	41	219	38	0	12	9	14	0	39	95	8	0	59	49	94	1	678
07:00	28	132	23	0	6	3	11	0	29	64	13	0	23	39	84	0	455
07:15	46	133	25	0	8	2	13	1	32	72	4	0	36	29	74	0	475
07:30	34	174	42	0	16	2	7	0	51	154	20	0	34	45	64	1	644
07:45	57	170	31	0	12	3	14	0	44	102	25	0	51	48	81	1	639
Total	165	609	121	0	42	10	45	1	156	392	62	0	144	161	303	2	2213
08:00	50	137	20	0	6	8	12	0	37	104	14	0	34	43	75	1	541
08:15	41	144	25	0	9	4	15	0	22	89	18	0	36	50	84	1	538
08:30	48	135	37	0	10	9	19	0	34	106	11	0	38	35	91	0	573
08:45	31	174	41	0	13	7	19	1	36	102	7	0	55	43	115	1	645
Total	170	590	123	0	38	28	65	1	129	401	50	0	163	171	365	3	2297
09:00	21	123	34	0	8	6	22	0	44	93	15	0	53	26	82	0	527
09:15	25	106	31	0	10	5	16	0	37	109	15	0	47	37	87	0	525
*** BREAK ***																	
Total	46	229	65	0	18	11	38	0	81	202	30	0	100	63	169	0	1052
*** BREAK ***																	
10:30	33	121	26	0	14	12	38	0	27	150	30	1	40	43	100	1	636
10:45	48	143	33	0	23	18	44	0	39	127	31	0	50	46	108	0	710
Total	81	264	59	0	37	30	82	0	66	277	61	1	90	89	208	1	1346
11:00	36	153	41	0	28	9	77	0	37	144	27	0	35	38	97	1	723
11:15	35	189	32	0	24	11	59	1	41	153	26	0	52	43	117	0	783
11:30	59	238	38	0	50	18	55	0	34	188	55	0	46	54	111	0	946
11:45	42	239	42	0	25	21	64	0	62	184	33	0	36	63	135	0	946
Total	172	819	153	0	127	59	255	1	174	669	141	0	169	198	460	1	3398
12:00	40	264	35	0	25	21	93	0	50	254	29	0	54	66	120	0	1051
12:15	56	190	30	0	33	12	70	0	52	222	49	0	43	61	107	0	925
12:30	43	246	41	0	41	19	82	0	67	263	48	0	43	49	99	0	1041
12:45	50	197	34	0	27	16	96	2	59	271	48	1	38	53	97	0	989
Total	189	897	140	0	126	68	341	2	228	1010	174	1	178	229	423	0	4006
13:00	45	156	40	0	23	11	72	1	78	230	34	0	41	58	110	1	900
13:15	45	193	30	0	32	23	75	1	49	255	24	0	25	54	92	0	898
*** BREAK ***																	
Total	90	349	70	0	55	34	147	2	127	485	58	0	66	112	202	1	1798
*** BREAK ***																	
14:30	39	147	43	1	7	25	66	1	38	264	17	0	27	38	82	1	796
14:45	40	215	32	0	28	20	92	2	41	217	25	0	19	47	79	0	857
Total	79	362	75	1	35	45	158	3	79	481	42	0	46	85	161	1	1653
15:00	27	174	46	0	24	23	66	1	51	242	32	0	45	37	92	0	860
15:15	22	192	36	0	25	14	93	2	41	231	26	0	32	30	106	2	852
15:30	33	138	59	0	30	16	94	0	51	223	22	0	28	38	98	1	831
15:45	33	170	41	0	23	29	81	0	73	219	31	0	57	38	101	3	899
Total	115	674	182	0	102	82	334	3	216	915	111	0	162	143	397	6	3442
16:00	29	216	41	0	18	33	87	1	67	282	14	0	36	41	103	1	969
16:15	48	183	49	0	25	28	99	0	77	236	32	0	39	34	128	0	978
16:30	41	247	32	0	27	38	111	0	60	275	22	0	37	42	104	1	1037
16:45	49	266	27	0	30	29	85	4	71	273	34	0	41	45	130	0	1084
Total	167	912	149	0	100	128	382	5	275	1066	102	0	153	162	465	2	4068

Alliant Engineering Inc Minneapolis, MN 55415

Prairie Center Dr at Technology Dr/ TH-5
Eden Prairie
data by: Alliant Engineering
TURN MOVEMENT COUNT

File Name : 24_Prairie Center Drive at TH 5 S jct
Site Code : 00000024
Start Date : 10/22/2009
Page No : 2

Groups Printed- Unshifted - Bank 1

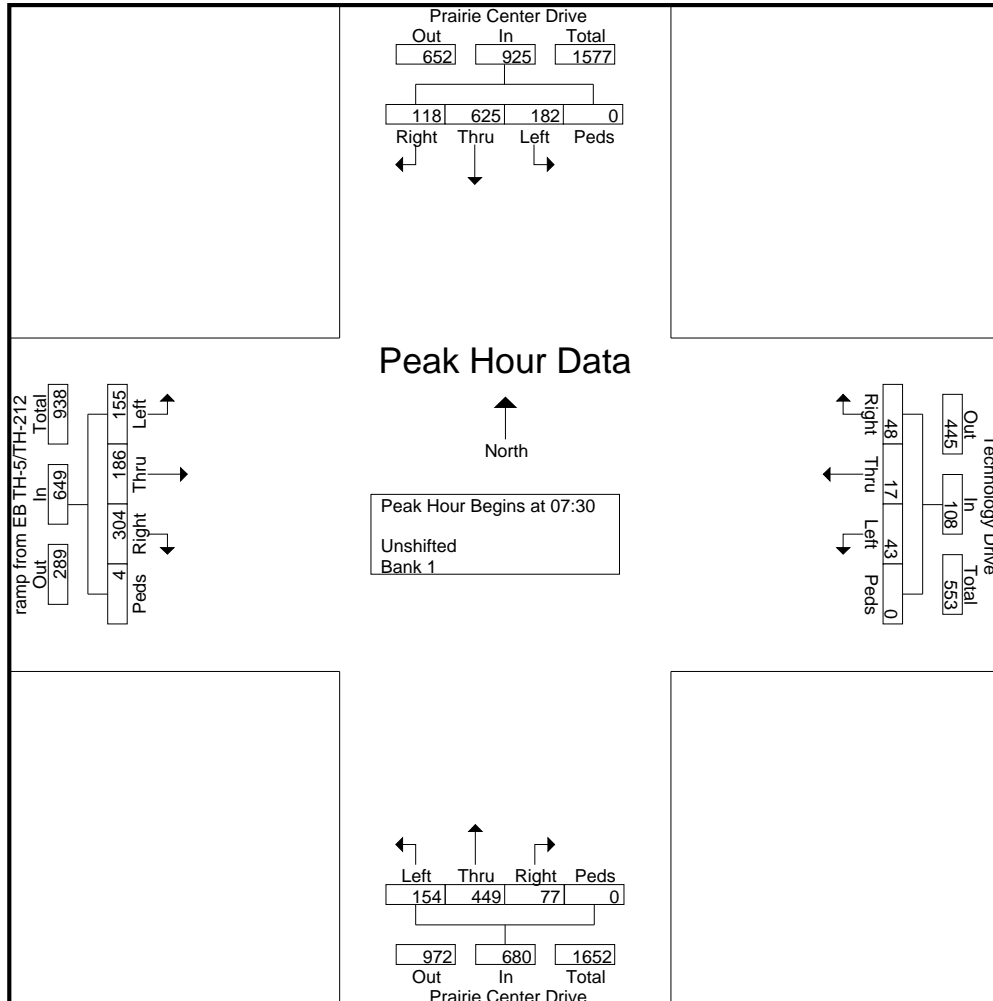
Start Time	Prairie Center Drive Southbound				Technology Drive Westbound				Prairie Center Drive Northbound				ramp from EB TH-5/TH-212 Eastbound				Int. Total
	Left	Thru	Right	Peds	Left	Thru	Right	Peds	Left	Thru	Right	Peds	Left	Thru	Right	Peds	
17:00	38	254	72	0	25	42	86	1	87	347	30	0	35	37	114	0	1168
17:15	46	264	58	0	39	30	112	0	80	300	36	0	30	71	116	1	1183
17:30	36	292	33	0	28	22	99	0	57	325	31	0	36	47	114	0	1120
17:45	47	224	39	0	41	24	94	0	82	252	27	0	29	52	117	0	1028
Total	167	1034	202	0	133	118	391	1	306	1224	124	0	130	207	461	1	4499
18:00	42	196	51	0	26	18	83	3	60	287	32	0	34	35	159	0	1026
18:15	34	189	36	0	26	17	70	1	86	263	19	0	21	41	151	0	954
18:30	26	172	28	0	19	17	67	0	52	258	17	0	19	39	146	0	860
18:45	30	127	31	1	17	10	55	0	54	282	20	0	26	28	131	0	812
Total	132	684	146	1	88	62	275	4	252	1090	88	0	100	143	587	0	3652
Grand Total	1614	7642	1523	2	913	684	2527	23	2128	8307	1051	2	1560	1812	4295	19	34102
Apprch %	15	70.9	14.1	0	22	16.5	60.9	0.6	18.5	72.3	9.1	0	20.3	23.6	55.9	0.2	
Total %	4.7	22.4	4.5	0	2.7	2	7.4	0.1	6.2	24.4	3.1	0	4.6	5.3	12.6	0.1	
Unshifted	1606	7496	1492	2	906	676	2506	23	2108	8232	1036	2	1529	1796	4255	18	33683
% Unshifted	99.5	98.1	98	100	99.2	98.8	99.2	100	99.1	99.1	98.6	100	98	99.1	99.1	94.7	98.8
Bank 1	8	146	31	0	7	8	21	0	20	75	15	0	31	16	40	1	419
% Bank 1	0.5	1.9	2	0	0.8	1.2	0.8	0	0.9	0.9	1.4	0	2	0.9	0.9	5.3	1.2

Alliant Engineering Inc Minneapolis, MN 55415

Prairie Center Dr at Technology Dr/ TH-5
Eden Prairie
data by: Alliant Engineering
TURN MOVEMENT COUNT

File Name : 24_Prairie Center Drive at TH 5 S jct
Site Code : 00000024
Start Date : 10/22/2009
Page No : 3

Start Time	Prairie Center Drive Southbound					Technology Drive Westbound					Prairie Center Drive Northbound					ramp from EB TH-5/TH-212 Eastbound					Int. Total
	Left	Thru	Right	Peds	App. Total	Left	Thru	Right	Peds	App. Total	Left	Thru	Right	Peds	App. Total	Left	Thru	Right	Peds	App. Total	
Peak Hour Analysis From 06:30 to 09:15 - Peak 1 of 1																					
Peak Hour for Entire Intersection Begins at 07:30																					
07:30	34	174	42	0	250	16	2	7	0	25	51	154	20	0	225	34	45	64	1	144	644
07:45	57	170	31	0	258	12	3	14	0	29	44	102	25	0	171	51	48	81	1	181	639
08:00	50	137	20	0	207	6	8	12	0	26	37	104	14	0	155	34	43	75	1	153	541
08:15	41	144	25	0	210	9	4	15	0	28	22	89	18	0	129	36	50	84	1	171	538
Total Volume	182	625	118	0	925	43	17	48	0	108	154	449	77	0	680	155	186	304	4	649	2362
% App. Total	19.7	67.6	12.8	0		39.8	15.7	44.4	0		22.6	66	11.3	0		23.9	28.7	46.8	0.6		
PHF	.798	.898	.702	.000	.896	.672	.531	.800	.000	.931	.755	.729	.770	.000	.756	.760	.930	.905	1.000		



Alliant Engineering Inc Minneapolis, MN 55415

Prairie Center Dr at Technology Dr/ TH-5
Eden Prairie
data by: Alliant Engineering
TURN MOVEMENT COUNT

File Name : 24_Prairie Center Drive at TH 5 S jct
Site Code : 00000024
Start Date : 10/22/2009
Page No : 4

Start Time	Prairie Center Drive Southbound					Technology Drive Westbound					Prairie Center Drive Northbound					ramp from EB TH-5/TH-212 Eastbound					Int. Total
	Left	Thru	Right	Peds	App. Total	Left	Thru	Right	Peds	App. Total	Left	Thru	Right	Peds	App. Total	Left	Thru	Right	Peds	App. Total	
Peak Hour Analysis From 14:30 to 18:45 - Peak 1 of 1																					
Peak Hour for Entire Intersection Begins at 16:45																					
16:45	49	266	27	0	342	30	29	85	4	148	71	273	34	0	378	41	45	130	0	216	1084
17:00	38	254	72	0	364	25	42	86	1	154	87	347	30	0	464	35	37	114	0	186	1168
17:15	46	264	58	0	368	39	30	112	0	181	80	300	36	0	416	30	71	116	1	218	1183
17:30	36	292	33	0	361	28	22	99	0	149	57	325	31	0	413	36	47	114	0	197	1120
Total Volume	169	1076	190	0	1435	122	123	382	5	632	295	1245	131	0	1671	142	200	474	1	817	4555
% App. Total	11.8	75	13.2	0		19.3	19.5	60.4	0.8		17.7	74.5	7.8	0		17.4	24.5	58	0.1		
PHF	.862	.921	.660	.000	.975	.782	.732	.853	.313	.873	.848	.897	.910	.000	.900	.866	.704	.912	.250	.937	.963

