

Alliant Engineering Inc Minneapolis, MN 55415

Flying Cloud Drive at Leona Rd / Eden Rd
Eden Prairie
data by: Alliant Engineering
TURN MOVEMENT COUNT

File Name : 09_Flying Cloud Drive at Leona RoadEden Road
Site Code : 00000009
Start Date : 10/8/2009
Page No : 1

Groups Printed- Unshifted - Bank 1

Start Time	Flying Cloud Drive (TH 212) Southbound				Leona Road Westbound				Flying Cloud Drive (TH 212) Northbound				Eden Road Eastbound				Int. Total
	Left	Thru	Right	Peds	Left	Thru	Right	Peds	Left	Thru	Right	Peds	Left	Thru	Right	Peds	
06:30	4	100	1	0	1	0	20	0	0	144	6	0	2	0	1	0	279
06:45	5	144	2	0	1	1	18	0	0	189	9	0	2	2	1	0	374
Total	9	244	3	0	2	1	38	0	0	333	15	0	4	2	2	0	653
07:00	14	154	9	0	1	1	29	0	4	261	6	0	9	0	1	0	489
07:15	12	174	7	0	7	1	30	0	1	323	10	0	6	1	3	0	575
07:30	11	186	12	0	5	5	47	0	3	380	16	0	11	0	1	0	677
07:45	18	188	19	0	6	8	25	0	5	350	16	0	22	0	2	0	659
Total	55	702	47	0	19	15	131	0	13	1314	48	0	48	1	7	0	2400
08:00	14	176	12	0	7	2	31	0	5	317	15	0	8	2	2	0	591
08:15	13	157	15	0	5	3	30	0	4	283	14	0	9	2	2	0	537
08:30	17	178	8	0	7	5	35	0	6	255	6	0	13	3	2	0	535
08:45	19	196	19	0	7	4	35	0	5	193	22	0	11	1	1	0	513
Total	63	707	54	0	26	14	131	0	20	1048	57	0	41	8	7	0	2176
09:00	16	165	19	0	5	4	23	0	4	190	14	0	19	1	2	0	462
09:15	19	137	14	0	4	5	27	0	4	174	11	0	10	3	1	0	409
*** BREAK ***																	
Total	35	302	33	0	9	9	50	0	8	364	25	0	29	4	3	0	871
*** BREAK ***																	
10:30	30	143	18	0	6	4	50	0	9	173	15	0	9	2	4	0	463
10:45	31	174	15	0	6	7	42	0	10	178	14	0	17	7	2	0	503
Total	61	317	33	0	12	11	92	0	19	351	29	0	26	9	6	0	966
11:00	41	201	55	0	13	12	47	0	9	193	21	0	15	3	4	0	614
11:15	35	245	63	0	9	12	58	0	13	221	21	0	14	7	8	0	706
11:30	46	301	66	0	10	13	49	0	16	243	21	0	25	5	5	0	800
11:45	49	326	80	1	16	17	76	0	14	239	30	0	24	9	8	0	889
Total	171	1073	264	1	48	54	230	0	52	896	93	0	78	24	25	0	3009
12:00	50	299	59	0	12	16	64	0	7	266	22	0	43	6	16	0	860
12:15	32	274	51	0	18	13	70	0	22	317	31	0	44	11	13	0	896
12:30	44	260	35	0	16	13	75	0	19	305	16	0	67	15	11	0	876
12:45	58	222	28	0	16	23	69	0	26	321	29	0	48	20	9	0	869
Total	184	1055	173	0	62	65	278	0	74	1209	98	0	202	52	49	0	3501
13:00	28	223	34	0	22	8	63	0	17	313	28	0	48	9	16	0	809
13:15	45	195	19	0	14	11	60	0	11	284	33	0	45	9	14	0	740
*** BREAK ***																	
Total	73	418	53	0	36	19	123	0	28	597	61	0	93	18	30	0	1549
*** BREAK ***																	
14:30	30	188	18	0	20	5	45	1	7	200	20	0	19	5	8	0	566
14:45	36	214	22	0	13	10	50	0	11	215	12	0	16	10	7	0	616
Total	66	402	40	0	33	15	95	1	18	415	32	0	35	15	15	0	1182
15:00	19	203	24	0	7	7	38	1	3	205	22	1	22	4	4	0	560
15:15	33	209	36	1	8	6	44	1	16	229	13	0	23	5	7	1	632
15:30	29	260	21	1	16	8	53	0	10	246	16	1	11	3	5	1	681
15:45	39	238	38	0	18	13	42	0	16	221	11	0	20	6	5	0	667
Total	120	910	119	2	49	34	177	2	45	901	62	2	76	18	21	2	2540
16:00	42	305	37	0	9	10	38	0	13	267	12	1	17	4	9	1	765
16:15	43	326	39	1	18	13	35	1	8	182	14	1	20	13	10	0	724
16:30	35	366	28	0	14	10	44	0	13	246	19	0	16	7	10	0	808
16:45	33	380	57	0	11	12	49	0	12	223	18	0	15	6	10	0	826
Total	153	1377	161	1	52	45	166	1	46	918	63	2	68	30	39	1	3123

Alliant Engineering Inc Minneapolis, MN 55415

Flying Cloud Drive at Leona Rd / Eden Rd
Eden Prairie
data by: Alliant Engineering
TURN MOVEMENT COUNT

File Name : 09_Flying Cloud Drive at Leona RoadEden Road
Site Code : 00000009
Start Date : 10/8/2009
Page No : 2

Groups Printed- Unshifted - Bank 1

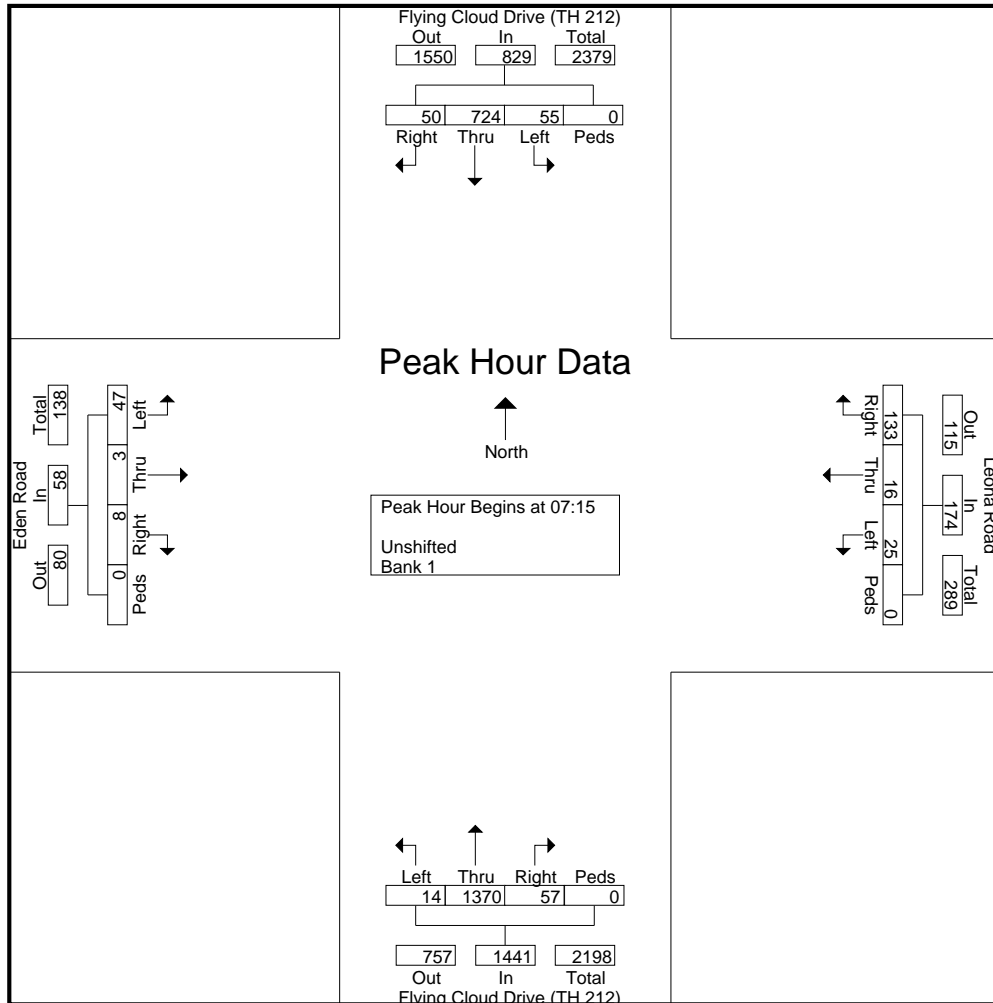
Start Time	Flying Cloud Drive (TH 212) Southbound				Leona Road Westbound				Flying Cloud Drive (TH 212) Northbound				Eden Road Eastbound				Int. Total
	Left	Thru	Right	Peds	Left	Thru	Right	Peds	Left	Thru	Right	Peds	Left	Thru	Right	Peds	
17:00	30	387	51	0	16	17	45	0	15	236	20	1	30	14	12	3	877
17:15	58	389	49	0	29	20	41	0	26	256	26	0	15	7	15	0	931
17:30	44	407	63	0	17	12	48	2	29	253	29	0	18	14	16	0	952
17:45	32	318	53	0	17	20	51	0	14	218	16	0	25	11	6	0	781
Total	164	1501	216	0	79	69	185	2	84	963	91	1	88	46	49	3	3541
18:00	39	266	53	0	13	9	49	2	25	238	26	2	28	4	7	2	763
18:15	34	259	44	0	9	14	50	0	21	227	18	0	32	11	10	0	729
18:30	34	210	38	1	12	14	44	0	20	204	21	2	29	7	4	5	645
18:45	23	214	40	0	11	19	34	0	21	199	13	1	32	10	13	2	632
Total	130	949	175	1	45	56	177	2	87	868	78	5	121	32	34	9	2769
Grand Total	1284	9957	1371	5	472	407	1873	8	494	10177	752	10	909	259	287	15	28280
Apprch %	10.2	78.9	10.9	0	17.1	14.7	67.9	0.3	4.3	89	6.6	0.1	61.8	17.6	19.5	1	
Total %	4.5	35.2	4.8	0	1.7	1.4	6.6	0	1.7	36	2.7	0	3.2	0.9	1	0.1	
Unshifted	1274	9864	1364	5	470	406	1855	8	489	9995	747	10	905	259	283	15	27949
% Unshifted	99.2	99.1	99.5	100	99.6	99.8	99	100	99	98.2	99.3	100	99.6	100	98.6	100	98.8
Bank 1	10	93	7	0	2	1	18	0	5	182	5	0	4	0	4	0	331
% Bank 1	0.8	0.9	0.5	0	0.4	0.2	1	0	1	1.8	0.7	0	0.4	0	1.4	0	1.2

Alliant Engineering Inc Minneapolis, MN 55415

Flying Cloud Drive at Leona Rd / Eden Rd
Eden Prairie
data by: Alliant Engineering
TURN MOVEMENT COUNT

File Name : 09_Flying Cloud Drive at Leona RoadEden Road
Site Code : 00000009
Start Date : 10/8/2009
Page No : 3

Start Time	Flying Cloud Drive (TH 212) Southbound					Leona Road Westbound					Flying Cloud Drive (TH 212) Northbound					Eden Road Eastbound					Int. Total
	Left	Thru	Right	Peds	App. Total	Left	Thru	Right	Peds	App. Total	Left	Thru	Right	Peds	App. Total	Left	Thru	Right	Peds	App. Total	
Peak Hour Analysis From 06:30 to 09:15 - Peak 1 of 1																					
Peak Hour for Entire Intersection Begins at 07:15																					
07:15	12	174	7	0	193	7	1	30	0	38	1	323	10	0	334	6	1	3	0	10	575
07:30	11	186	12	0	209	5	5	47	0	57	3	380	16	0	399	11	0	1	0	12	677
07:45	18	188	19	0	225	6	8	25	0	39	5	350	16	0	371	22	0	2	0	24	659
08:00	14	176	12	0	202	7	2	31	0	40	5	317	15	0	337	8	2	2	0	12	591
Total Volume	55	724	50	0	829	25	16	133	0	174	14	1370	57	0	1441	47	3	8	0	58	2502
% App. Total	6.6	87.3	6	0		14.4	9.2	76.4	0		1	95.1	4	0		81	5.2	13.8	0		
PHF	.764	.963	.658	.000	.921	.893	.500	.707	.000	.763	.700	.901	.891	.000	.903	.534	.375	.667	.000	.604	.924



Alliant Engineering Inc Minneapolis, MN 55415

Flying Cloud Drive at Leona Rd / Eden Rd
Eden Prairie
data by: Alliant Engineering
TURN MOVEMENT COUNT

File Name : 09_Flying Cloud Drive at Leona RoadEden Road
Site Code : 00000009
Start Date : 10/8/2009
Page No : 4

Start Time	Flying Cloud Drive (TH 212) Southbound					Leona Road Westbound					Flying Cloud Drive (TH 212) Northbound					Eden Road Eastbound					Int. Total
	Left	Thru	Right	Peds	App. Total	Left	Thru	Right	Peds	App. Total	Left	Thru	Right	Peds	App. Total	Left	Thru	Right	Peds	App. Total	
Peak Hour Analysis From 14:30 to 18:45 - Peak 1 of 1																					
Peak Hour for Entire Intersection Begins at 16:45																					
16:45	33	380	57	0	470	11	12	49	0	72	12	223	18	0	253	15	6	10	0	31	826
17:00	30	387	51	0	468	16	17	45	0	78	15	236	20	1	272	30	14	12	3	59	877
17:15	58	389	49	0	496	29	20	41	0	90	26	256	26	0	308	15	7	15	0	37	931
17:30	44	407	63	0	514	17	12	48	2	79	29	253	29	0	311	18	14	16	0	48	952
Total Volume	165	1563	220	0	1948	73	61	183	2	319	82	968	93	1	1144	78	41	53	3	175	3586
% App. Total	8.5	80.2	11.3	0		22.9	19.1	57.4	0.6		7.2	84.6	8.1	0.1		44.6	23.4	30.3	1.7		
PHF	.711	.960	.873	.000	.947	.629	.763	.934	.250	.886	.707	.945	.802	.250	.920	.650	.732	.828	.250	.742	.942

