

Short Elliott Hendrickson Inc.

3535 Vadnais Center Drive
St. Paul, MN 55110

"Building a Better World for All of Us"



TRAFFIC DATA

80th St & Blaine Ave

Ref.Pt.: 122.854

Data By: Short Elliott Hendrickson, Inc.

TURN MOVEMENT COUNT

File Name : 80th St & Blaine Ave 2019

Site Code : 2c

Start Date : 4/23/2019

Page No : 1

Groups Printed- Vehicles - Trucks

Start Time	Blaine Ave Southbound					80th St Westbound					Blaine Ave Northbound					80th St Eastbound					Int. Total
	Left	Thru	Right	Peds	App. Total	Left	Thru	Right	Peds	App. Total	Left	Thru	Right	Peds	App. Total	Left	Thru	Right	Peds	App. Total	
06:00	0	0	12	1	13	1	54	0	1	56	2	0	0	0	2	4	22	2	0	28	99
06:15	4	0	14	0	18	3	63	1	0	67	2	0	2	1	5	4	20	3	0	27	117
06:30	1	1	14	0	16	1	88	0	0	89	2	0	1	0	3	4	24	5	0	33	141
06:45	3	1	25	0	29	1	98	1	1	101	4	0	2	0	6	4	58	8	0	70	206
Total	8	2	65	1	76	6	303	2	2	313	10	0	5	1	16	16	124	18	0	158	563
07:00	18	2	27	0	47	1	99	5	1	106	3	0	8	0	11	5	84	8	0	97	261
07:15	43	3	25	0	71	4	114	5	0	123	9	2	10	2	23	11	101	25	1	138	355
07:30	24	1	21	1	47	11	126	6	0	143	12	1	16	0	29	11	79	54	0	144	363
07:45	5	7	22	0	34	7	93	3	0	103	9	0	1	0	10	17	31	77	0	125	272
Total	90	13	95	1	199	23	432	19	1	475	33	3	35	2	73	44	295	164	1	504	1251
08:00	2	1	16	0	19	3	79	1	0	83	9	1	1	0	11	7	48	34	0	89	202
08:15	8	1	11	0	20	5	84	2	0	91	3	1	0	0	4	4	38	26	0	68	183
08:30	7	1	17	0	25	6	70	3	1	80	5	1	3	1	10	12	31	29	0	72	187
08:45	3	2	10	0	15	4	56	2	0	62	5	2	1	0	8	7	27	32	1	67	152
Total	20	5	54	0	79	18	289	8	1	316	22	5	5	1	33	30	144	121	1	296	724
09:00	0	2	6	0	8	4	49	2	0	55	3	1	2	0	6	6	38	49	0	93	162
09:15	4	7	9	0	20	6	49	6	2	63	25	1	4	0	30	6	48	57	1	112	225
09:30	3	5	9	0	17	15	50	3	0	68	12	0	2	0	14	6	31	43	0	80	179
09:45	3	5	8	0	16	11	51	0	2	64	28	3	0	0	31	7	41	78	0	126	237
Total	10	19	32	0	61	36	199	11	4	250	68	5	8	0	81	25	158	227	1	411	803
10:00	7	1	9	0	17	6	43	2	1	52	16	2	6	0	24	8	36	26	0	70	163
10:15	5	2	8	0	15	7	54	4	1	66	15	3	6	0	24	7	52	17	0	76	181
10:30	2	2	3	0	7	7	51	1	0	59	18	0	4	0	22	9	42	36	0	87	175
10:45	5	8	14	0	27	5	40	2	0	47	34	5	5	0	44	5	41	52	0	98	216
Total	19	13	34	0	66	25	188	9	2	224	83	10	21	0	114	29	171	131	0	331	735
11:00	5	4	5	0	14	2	37	3	0	42	16	1	5	1	23	2	52	24	0	78	157
11:15	4	3	12	0	19	3	63	8	0	74	15	1	3	1	20	6	52	14	0	72	185
11:30	4	1	6	0	11	8	53	9	1	71	27	3	4	0	34	13	63	30	0	106	222
11:45	7	3	3	0	13	11	46	5	0	62	42	9	7	0	58	15	55	38	0	108	241
Total	20	11	26	0	57	24	199	25	1	249	100	14	19	2	135	36	222	106	0	364	805
12:00	4	5	12	0	21	3	43	5	1	52	24	4	8	0	36	18	54	36	0	108	217
12:15	8	7	7	0	22	7	52	5	1	65	62	10	9	0	81	12	58	40	0	110	278
12:30	13	4	6	0	23	13	59	3	1	76	37	2	7	1	47	11	53	18	0	82	228
12:45	3	4	8	0	15	11	55	3	1	70	26	4	9	0	39	11	50	17	0	78	202
Total	28	20	33	0	81	34	209	16	4	263	149	20	33	1	203	52	215	111	0	378	925
13:00	6	3	7	0	16	7	49	4	1	61	30	2	6	0	38	8	44	17	0	69	184
13:15	1	0	5	0	6	8	34	6	0	48	39	2	12	0	53	9	57	15	0	81	188
13:30	4	0	12	0	16	6	68	10	0	84	28	5	12	1	46	10	55	19	0	84	230
13:45	7	7	10	0	24	9	51	9	1	70	90	13	12	0	115	9	79	27	1	116	325
Total	18	10	34	0	62	30	202	29	2	263	187	22	42	1	252	36	235	78	1	350	927

Short Elliott Hendrickson Inc.

3535 Vadnais Center Drive
St. Paul, MN 55110

"Building a Better World for All of Us"



TRAFFIC DATA

80th St & Blaine Ave

Ref.Pt.: 122.854

Data By: Short Elliott Hendrickson, Inc.

TURN MOVEMENT COUNT

File Name : 80th St & Blaine Ave 2019

Site Code : 2c

Start Date : 4/23/2019

Page No : 2

Groups Printed- Vehicles - Trucks

Start Time	Blaine Ave Southbound					80th St Westbound					Blaine Ave Northbound					80th St Eastbound					Int. Total
	Left	Thru	Right	Peds	App. Total	Left	Thru	Right	Peds	App. Total	Left	Thru	Right	Peds	App. Total	Left	Thru	Right	Peds	App. Total	
14:00	5	3	7	0	15	7	53	4	0	64	58	1	3	1	63	13	66	10	0	89	231
14:15	9	1	10	0	20	6	46	7	0	59	30	2	4	0	36	11	89	13	0	113	228
14:30	11	5	9	2	27	11	119	24	0	154	29	2	9	0	40	12	87	15	0	114	335
14:45	9	2	8	5	24	8	85	6	0	99	19	2	4	1	26	7	80	19	0	106	255
Total	34	11	34	7	86	32	303	41	0	376	136	7	20	2	165	43	322	57	0	422	1049
15:00	8	1	12	1	22	4	76	5	0	85	26	1	8	0	35	21	96	14	1	132	274
15:15	5	1	12	1	19	7	72	6	0	85	19	1	12	1	33	14	109	25	0	148	285
15:30	17	2	7	1	27	4	68	8	0	80	26	3	10	0	39	18	111	18	0	147	293
15:45	14	2	14	1	31	7	70	11	2	90	22	2	2	0	26	10	141	15	0	166	313
Total	44	6	45	4	99	22	286	30	2	340	93	7	32	1	133	63	457	72	1	593	1165
16:00	11	1	9	1	22	4	84	13	1	102	28	4	7	1	40	21	121	11	0	153	317
16:15	11	2	8	0	21	3	71	3	1	78	17	0	5	3	25	21	132	12	0	165	289
16:30	9	4	14	0	27	7	58	12	1	78	35	6	7	0	48	23	133	28	0	184	337
16:45	6	6	13	0	25	4	79	12	4	99	27	1	13	0	41	17	165	38	0	220	385
Total	37	13	44	1	95	18	292	40	7	357	107	11	32	4	154	82	551	89	0	722	1328
17:00	16	0	7	0	23	4	81	11	0	96	21	7	5	0	33	18	124	25	0	167	319
17:15	10	4	11	0	25	5	63	10	2	80	24	0	1	0	25	26	168	22	0	216	346
17:30	7	2	15	0	24	7	74	10	0	91	26	0	5	0	31	26	138	36	0	200	346
17:45	13	3	14	0	30	10	86	11	0	107	57	5	5	3	70	15	111	59	0	185	392
Total	46	9	47	0	102	26	304	42	2	374	128	12	16	3	159	85	541	142	0	768	1403
18:00	11	3	13	1	28	3	101	22	2	128	24	7	3	1	35	23	123	21	0	167	358
18:15	7	2	13	0	22	5	95	14	1	115	21	0	4	0	25	18	111	8	0	137	299
18:30	11	1	14	2	28	1	99	11	0	111	9	4	5	3	21	16	96	8	0	120	280
18:45	11	2	12	0	25	1	63	15	0	79	11	2	4	0	17	22	106	9	1	138	259
Total	40	8	52	3	103	10	358	62	3	433	65	13	16	4	98	79	436	46	1	562	1196
Grand Total	414	140	595	17	1166	304	3564	334	31	4233	1181	129	284	22	1616	620	3871	1362	6	5859	12874
Apprch %	35.5	12	51	1.5		7.2	84.2	7.9	0.7		73.1	8	17.6	1.4		10.6	66.1	23.2	0.1		
Total %	3.2	1.1	4.6	0.1	9.1	2.4	27.7	2.6	0.2	32.9	9.2	1	2.2	0.2	12.6	4.8	30.1	10.6	0	45.5	
Vehicles	409	140	591	16	1156	272	3486				1181					3792	1349				12651
% Vehicles	98.8	100	99.3	94.1	99.1	89.5	97.8	99.1	100	97.3	100	100	100	95.5	99.9	98.9	98	99	100	98.3	98.3
Trucks	5	0	4	1	10	32	78	3	0	113	0	0	0	1	1	7	79	13	0	99	223
% Trucks	1.2	0	0.7	5.9	0.9	10.5	2.2	0.9	0	2.7	0	0	0	4.5	0.1	1.1	2	1	0	1.7	1.7

Short Elliott Hendrickson Inc.

3535 Vadnais Center Drive
St. Paul, MN 55110

"Building a Better World for All of Us"



TRAFFIC DATA

80th St & Blaine Ave

Ref.Pt.: 122.854

Data By: Short Elliott Hendrickson, Inc.

TURN MOVEMENT COUNT

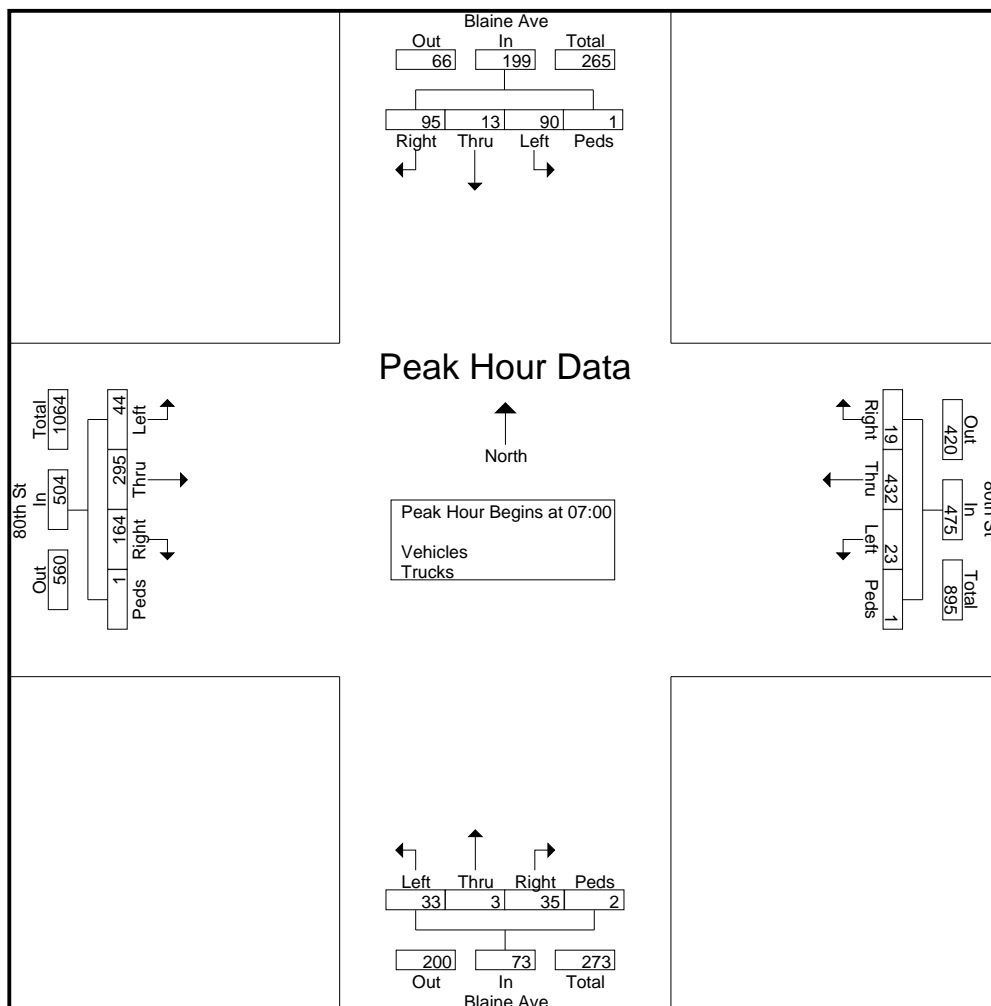
File Name : 80th St & Blaine Ave 2019

Site Code : 2c

Start Date : 4/23/2019

Page No : 3

Start Time	Blaine Ave Southbound					80th St Westbound					Blaine Ave Northbound					80th St Eastbound					Int. Total
	Left	Thru	Right	Peds	App. Total	Left	Thru	Right	Peds	App. Total	Left	Thru	Right	Peds	App. Total	Left	Thru	Right	Peds	App. Total	
Peak Hour Analysis From 06:00 to 08:45 - Peak 1 of 1 Peak Hour for Entire Intersection Begins at 07:00																					
07:00	18	2	27	0	47	1	99	5	1	106	3	0	8	0	11	5	84	8	0	97	261
07:15	43	3	25	0	71	4	114	5	0	123	9	2	10	2	23	11	101	25	1	138	355
07:30	24	1	21	1	47	11	126	6	0	143	12	1	16	0	29	11	79	54	0	144	363
07:45	5	7	22	0	34	7	93	3	0	103	9	0	1	0	10	17	31	77	0	125	272
Total Volume	90	13	95	1	199	23	432	19	1	475	33	3	35	2	73	44	295	164	1	504	1251
% App. Total	45.2	6.5	47.7	0.5		4.8	90.9	4	0.2		45.2	4.1	47.9	2.7		8.7	58.5	32.5	0.2		
PHF	.523	.464	.880	.250	.701	.523	.857	.792	.250	.830	.688	.375	.547	.250	.629	.647	.730	.532	.250	.875	.862



Short Elliott Hendrickson Inc.

3535 Vadnais Center Drive
St. Paul, MN 55110

"Building a Better World for All of Us"



TRAFFIC DATA

80th St & Blaine Ave

Ref.Pt.: 122.854

Data By: Short Elliott Hendrickson, Inc.

TURN MOVEMENT COUNT

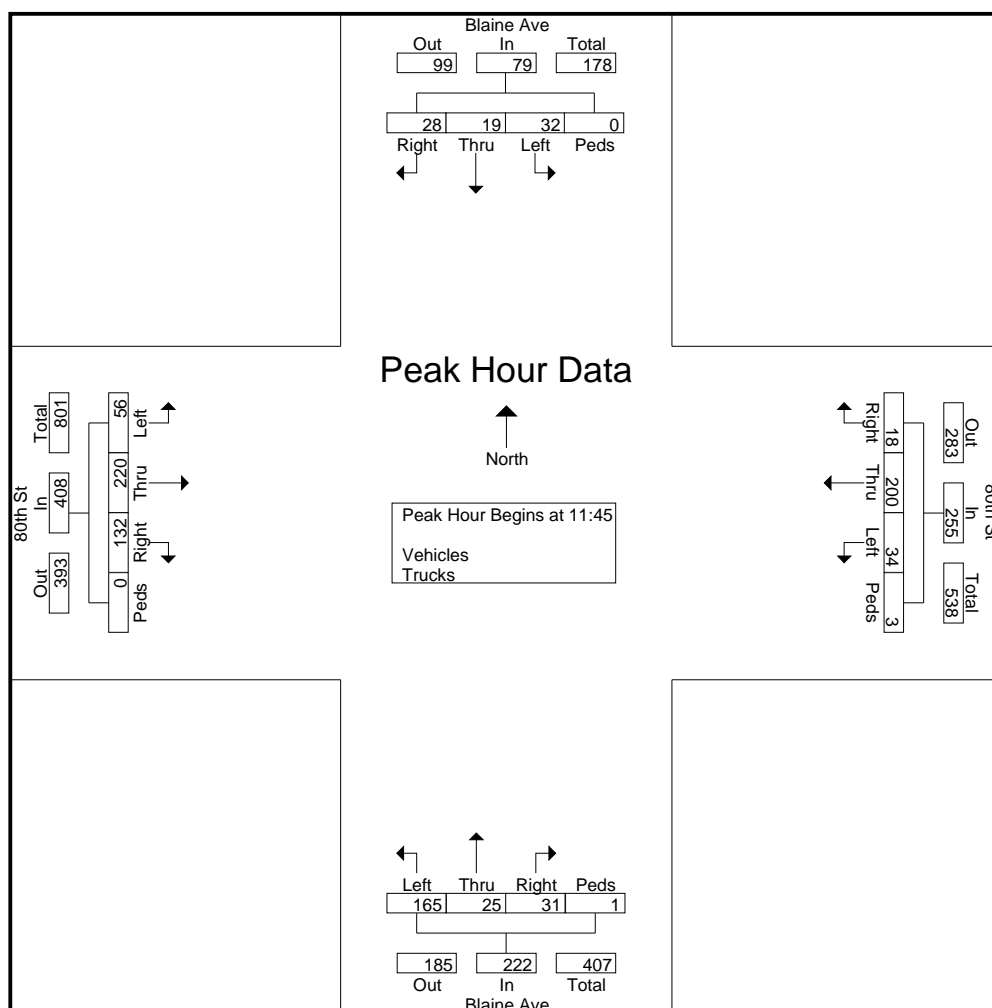
File Name : 80th St & Blaine Ave 2019

Site Code : 2c

Start Date : 4/23/2019

Page No : 4

Start Time	Blaine Ave Southbound					80th St Westbound					Blaine Ave Northbound					80th St Eastbound					Int. Total
	Left	Thru	Right	Peds	App. Total	Left	Thru	Right	Peds	App. Total	Left	Thru	Right	Peds	App. Total	Left	Thru	Right	Peds	App. Total	
Peak Hour Analysis From 11:00 to 12:45 - Peak 1 of 1 Peak Hour for Entire Intersection Begins at 11:45																					
11:45	7	3	3	0	13	11	46	5	0	62	42	9	7	0	58	15	55	38	0	108	241
12:00	4	5	12	0	21	3	43	5	1	52	24	4	8	0	36	18	54	36	0	108	217
12:15	8	7	7	0	22	7	52	5	1	65	62	10	9	0	81	12	58	40	0	110	278
12:30	13	4	6	0	23	13	59	3	1	76	37	2	7	1	47	11	53	18	0	82	228
Total Volume	32	19	28	0	79	34	200	18	3	255	165	25	31	1	222	56	220	132	0	408	964
% App. Total	40.5	24.1	35.4	0		13.3	78.4	7.1	1.2		74.3	11.3	14	0.5		13.7	53.9	32.4	0		
PHF	.615	.679	.583	.000	.859	.654	.847	.900	.750	.839	.665	.625	.861	.250	.685	.778	.948	.825	.000	.927	.867



Short Elliott Hendrickson Inc.

3535 Vadnais Center Drive
St. Paul, MN 55110

"Building a Better World for All of Us"



TRAFFIC DATA

80th St & Blaine Ave

Ref.Pt.: 122.854

Data By: Short Elliott Hendrickson, Inc.

TURN MOVEMENT COUNT

File Name : 80th St & Blaine Ave 2019

Site Code : 2c

Start Date : 4/23/2019

Page No : 5

Start Time	Blaine Ave Southbound					80th St Westbound					Blaine Ave Northbound					80th St Eastbound					Int. Total
	Left	Thru	Right	Peds	App. Total	Left	Thru	Right	Peds	App. Total	Left	Thru	Right	Peds	App. Total	Left	Thru	Right	Peds	App. Total	
Peak Hour Analysis From 15:00 to 17:45 - Peak 1 of 1																					
Peak Hour for Entire Intersection Begins at 17:00																					
17:00	16	0	7	0	23	4	81	11	0	96	21	7	5	0	33	18	124	25	0	167	319
17:15	10	4	11	0	25	5	63	10	2	80	24	0	1	0	25	26	168	22	0	216	346
17:30	7	2	15	0	24	7	74	10	0	91	26	0	5	0	31	26	138	36	0	200	346
17:45	13	3	14	0	30	10	86	11	0	107	57	5	5	3	70	15	111	59	0	185	392
Total Volume	46	9	47	0	102	26	304	42	2	374	128	12	16	3	159	85	541	142	0	768	1403
% App. Total	45.1	8.8	46.1	0		7	81.3	11.2	0.5		80.5	7.5	10.1	1.9		11.1	70.4	18.5	0		
PHF	.719	.563	.783	.000	.850	.650	.884	.955	.250	.874	.561	.429	.800	.250	.568	.817	.805	.602	.000	.889	.895

