

# Albeck Gerken, Inc

Transportation Engineers

Traffic Data Collection

TH-52 at Upper 55th St E / Co.Rd.18  
 Inver Grove Heights, MN  
 Ref.Pt.: 124.735  
 TURN MOVEMENT COUNT

File Name : 7 TH 52 West Ramp at Upper 55th St East  
 Site Code : 7  
 Start Date : 4/11/2012  
 Page No : 1

Groups Printed- Cars - Heavy Vehicles

Start Time	Cenex Drive Southbound				Upper 55th St E Westbound				loop from / ramp to TH-52 SB Northbound				Co.Rd.18 Eastbound				Int. Total
	Left	Thru	Right	Peds	Left	Thru	Right	Peds	Left	Thru	Right	Peds	Left	Thru	Right	Peds	
06:00	3	0	0	0	9	12	4	0	4	2	21	0	0	16	0	0	71
06:15	5	0	0	0	8	15	5	0	8	7	28	0	0	30	0	0	106
06:30	2	1	0	0	21	18	6	0	3	15	24	0	1	41	0	1	133
06:45	5	0	1	0	17	24	17	0	5	26	20	0	0	38	1	0	154
Total	15	1	1	0	55	69	32	0	20	50	93	0	1	125	1	1	464
07:00	4	2	0	0	12	33	20	0	1	33	38	0	1	49	2	1	196
07:15	2	1	0	0	13	41	36	0	10	54	30	0	2	54	5	0	248
07:30	9	2	1	0	18	39	27	0	7	49	43	0	1	49	7	0	252
07:45	6	2	0	0	21	40	41	0	18	70	44	0	2	62	3	1	310
Total	21	7	1	0	64	153	124	0	36	206	155	0	6	214	17	2	1006
08:00	9	1	1	0	15	40	20	0	17	19	39	0	1	60	3	0	225
08:15	11	0	2	0	12	37	13	0	17	30	36	0	1	67	1	0	227
08:30	11	3	2	1	21	36	17	0	11	17	45	0	3	37	1	1	206
08:45	13	3	0	1	10	37	16	0	8	14	50	2	1	56	0	2	213
Total	44	7	5	2	58	150	66	0	53	80	170	2	6	220	5	3	871
09:00	5	2	2	1	14	35	10	0	2	10	48	0	0	35	0	1	165
09:15	11	3	2	0	7	23	4	0	10	7	46	0	3	38	0	0	154
09:30	4	2	0	1	6	24	9	0	3	10	47	3	1	43	1	0	154
09:45	10	1	3	0	6	29	13	0	7	5	44	0	0	38	0	0	156
Total	30	8	7	2	33	111	36	0	22	32	185	3	4	154	1	1	629
10:00	8	1	1	0	9	27	12	0	7	9	38	0	3	43	0	0	158
10:15	18	4	1	1	13	29	8	0	6	7	37	0	0	24	2	0	150
10:30	6	4	1	0	13	32	6	0	7	11	48	0	4	50	0	0	182
10:45	17	1	1	0	12	38	9	0	12	10	55	0	2	42	1	0	200
Total	49	10	4	1	47	126	35	0	32	37	178	0	9	159	3	0	690
11:00	13	2	3	0	17	37	10	0	7	6	56	0	0	46	3	0	200
11:15	13	2	0	0	15	29	5	0	6	6	61	1	3	47	0	1	189
11:30	11	2	1	2	18	34	7	0	13	3	35	0	1	52	2	0	181
11:45	14	7	4	0	9	46	10	0	8	5	56	0	1	54	5	0	219
Total	51	13	8	2	59	146	32	0	34	20	208	1	5	199	10	1	789
12:00	13	5	4	1	12	42	15	0	9	7	57	1	0	56	2	1	225
12:15	12	4	0	0	10	59	14	0	8	13	52	0	0	50	0	2	224
12:30	12	6	0	1	20	38	17	0	9	6	43	0	4	43	4	1	204
12:45	5	6	3	2	14	50	18	0	16	14	48	0	3	38	2	2	221
Total	42	21	7	4	56	189	64	0	42	40	200	1	7	187	8	6	874
13:00	11	2	4	0	9	39	20	0	7	6	41	0	3	60	1	1	204
13:15	5	2	3	2	11	27	16	0	11	11	36	0	4	65	2	1	196
13:30	10	4	2	2	16	47	10	0	11	8	38	0	0	44	1	4	197
13:45	20	6	6	0	14	50	12	0	7	11	50	0	1	56	2	1	236
Total	46	14	15	4	50	163	58	0	36	36	165	0	8	225	6	7	833
14:00	18	5	0	1	9	35	13	0	17	7	35	0	2	77	1	1	221
14:15	2	3	1	4	19	48	5	0	13	7	41	0	1	68	1	5	218
14:30	8	3	4	0	16	49	19	0	16	11	45	0	1	57	0	1	230
14:45	13	0	2	0	18	42	7	1	19	11	80	0	4	71	6	1	275
Total	41	11	7	5	62	174	44	1	65	36	201	0	8	273	8	8	944
15:00	11	3	3	1	17	51	10	0	28	1	62	0	3	55	5	1	251
15:15	15	3	2	1	15	56	9	0	19	11	69	0	2	82	6	2	292
15:30	29	8	1	3	22	50	15	0	13	6	97	2	2	76	4	2	330
15:45	23	3	4	3	21	53	13	0	21	10	112	0	3	61	5	2	334
Total	78	17	10	8	75	210	47	0	81	28	340	2	10	274	20	7	1207

# Albeck Gerken, Inc

Transportation Engineers

Traffic Data Collection

TH-52 at Upper 55th St E / Co.Rd.18

Inver Grove Heights, MN

Ref.Pt.: 124.735

TURN MOVEMENT COUNT

File Name : 7 TH 52 West Ramp at Upper 55th St East

Site Code : 7

Start Date : 4/11/2012

Page No : 2

## Groups Printed- Cars - Heavy Vehicles

Start Time	Cenex Drive Southbound				Upper 55th St E Westbound				loop from / ramp to TH-52 SB Northbound				Co.Rd.18 Eastbound				Int. Total
	Left	Thru	Right	Peds	Left	Thru	Right	Peds	Left	Thru	Right	Peds	Left	Thru	Right	Peds	
16:00	60	15	3	0	22	53	7	0	21	7	99	0	3	75	8	1	374
16:15	29	9	2	0	27	59	10	0	22	13	101	0	1	78	10	1	362
16:30	74	25	4	0	29	49	10	0	25	5	117	0	1	80	5	0	424
16:45	50	12	4	0	25	57	7	0	22	15	144	0	3	82	15	0	436
Total	213	61	13	0	103	218	34	0	90	40	461	0	8	315	38	2	1596
17:00	69	16	4	1	26	52	9	0	29	11	115	0	0	96	11	3	442
17:15	37	5	2	1	23	49	8	0	17	2	117	2	1	76	8	2	350
17:30	26	6	4	1	24	63	4	0	28	1	106	0	0	97	9	4	373
17:45	12	4	0	0	29	44	12	0	18	8	87	4	1	82	18	1	320
Total	144	31	10	3	102	208	33	0	92	22	425	6	2	351	46	10	1485
18:00	8	2	2	2	31	54	10	0	12	5	75	0	1	61	5	4	272
18:15	9	5	0	0	27	47	2	0	19	2	81	0	0	52	9	1	254
18:30	7	0	1	0	15	49	8	0	20	3	65	0	0	60	7	0	235
18:45	5	1	1	0	21	43	4	2	13	3	66	0	1	52	4	0	216
Total	29	8	4	2	94	193	24	2	64	13	287	0	2	225	25	5	977
Grand Total	803	209	92	33	858	2110	629	3	667	640	3068	15	76	2921	188	53	12365
Apprch %	70.6	18.4	8.1	2.9	23.8	58.6	17.5	0.1	15.2	14.6	69.9	0.3	2.3	90.2	5.8	1.6	
Total %	6.5	1.7	0.7	0.3	6.9	17.1	5.1	0	5.4	5.2	24.8	0.1	0.6	23.6	1.5	0.4	
Cars	798	208	84	33	829	2043	621	3	640	637	2937	9	67	2865	183	53	12010
% Cars	99.4	99.5	91.3	100	96.6	96.8	98.7	100	96	99.5	95.7	60	88.2	98.1	97.3	100	97.1
Heavy Vehicles	5	1	8	0	29	67	8	0	27	3	131	6	9	56	5	0	355
% Heavy Vehicles	0.6	0.5	8.7	0	3.4	3.2	1.3	0	4	0.5	4.3	40	11.8	1.9	2.7	0	2.9

# Albeck Gerken, Inc

Transportation Engineers

Traffic Data Collection

TH-52 at Upper 55th St E / Co.Rd.18

Inver Grove Heights, MN

Ref.Pt.: 124.735

TURN MOVEMENT COUNT

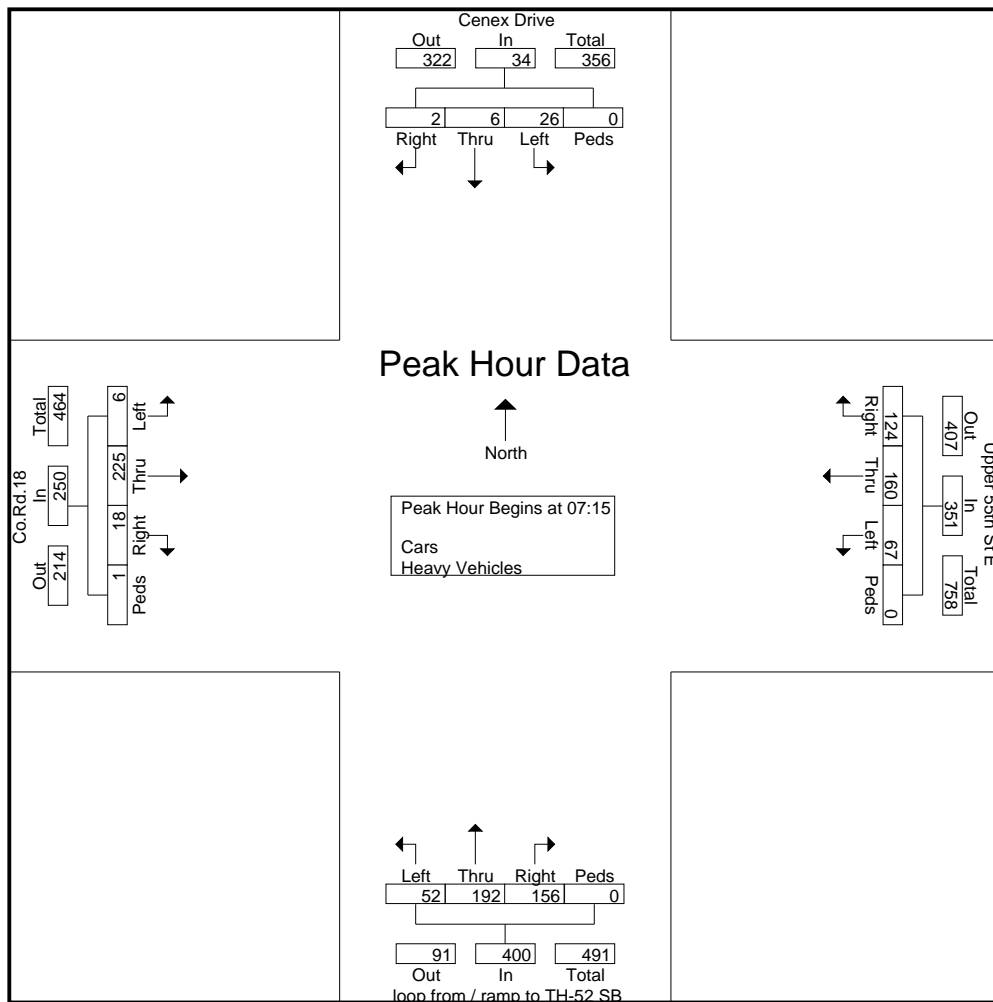
File Name : 7 TH 52 West Ramp at Upper 55th St East

Site Code : 7

Start Date : 4/11/2012

Page No : 3

Start Time	Cenex Drive Southbound					Upper 55th St E Westbound					loop from / ramp to TH-52 SB Northbound					Co.Rd.18 Eastbound					Int. Total
	Left	Thru	Right	Peds	App. Total	Left	Thru	Right	Peds	App. Total	Left	Thru	Right	Peds	App. Total	Left	Thru	Right	Peds	App. Total	
Peak Hour Analysis From 06:00 to 09:00 - Peak 1 of 1																					
Peak Hour for Entire Intersection Begins at 07:15																					
07:15	2	1	0	0	3	13	41	36	0	90	10	54	30	0	94	2	54	5	0	61	248
07:30	9	2	1	0	12	18	39	27	0	84	7	49	43	0	99	1	49	7	0	57	252
07:45	6	2	0	0	8	21	40	41	0	102	18	70	44	0	132	2	62	3	1	68	310
08:00	9	1	1	0	11	15	40	20	0	75	17	19	39	0	75	1	60	3	0	64	225
Total Volume	26	6	2	0	34	67	160	124	0	351	52	192	156	0	400	6	225	18	1	250	1035
% App. Total	76.5	17.6	5.9	0		19.1	45.6	35.3	0		13	48	39	0		2.4	90	7.2	0.4		
PHF	.722	.750	.500	.000	.708	.798	.976	.756	.000	.860	.722	.686	.886	.000	.758	.750	.907	.643	.250	.919	.835



# Albeck Gerken, Inc

Transportation Engineers

Traffic Data Collection

TH-52 at Upper 55th St E / Co.Rd.18  
 Inver Grove Heights, MN  
 Ref.Pt.: 124.735  
 TURN MOVEMENT COUNT

File Name : 7 TH 52 West Ramp at Upper 55th St East  
 Site Code : 7  
 Start Date : 4/11/2012  
 Page No : 4

Start Time	Cenex Drive Southbound					Upper 55th St E Westbound					loop from / ramp to TH-52 SB Northbound					Co.Rd.18 Eastbound					Int. Total
	Left	Thru	Right	Peds	App. Total	Left	Thru	Right	Peds	App. Total	Left	Thru	Right	Peds	App. Total	Left	Thru	Right	Peds	App. Total	
Peak Hour Analysis From 15:00 to 18:45 - Peak 1 of 1																					
Peak Hour for Entire Intersection Begins at 16:15																					
16:15	29	9	2	0	40	27	59	10	0	96	22	13	101	0	136	1	78	10	1	90	362
16:30	74	25	4	0	103	29	49	10	0	88	25	5	117	0	147	1	80	5	0	86	424
16:45	50	12	4	0	66	25	57	7	0	89	22	15	144	0	181	3	82	15	0	100	436
17:00	69	16	4	1	90	26	52	9	0	87	29	11	115	0	155	0	96	11	3	110	442
Total Volume	222	62	14	1	299	107	217	36	0	360	98	44	477	0	619	5	336	41	4	386	1664
% App. Total	74.2	20.7	4.7	0.3		29.7	60.3	10	0		15.8	7.1	77.1	0		1.3	87	10.6	1		
PHF	.750	.620	.875	.250	.726	.922	.919	.900	.000	.938	.845	.733	.828	.000	.855	.417	.875	.683	.333	.877	.941

