

# Short Elliott Hendrickson Inc.

3535 Vadnais Center Drive  
St. Paul, MN 55110

"Building a Better World for All of Us"



## TRAFFIC DATA

Upper 55th St & Blaine Ave

Ref.Pt.: 125.926

Data By: Short Elliott Hendrickson, Inc.

TURN MOVEMENT COUNT

File Name : Upper 55th St & Blaine Ave 2019

Site Code : 3c

Start Date : 5/2/2019

Page No : 1

### Groups Printed- Vehicles - Trucks

Start Time	Southbound					Westbound					Northbound					Eastbound					Int. Total
	Left	Thru	Right	Peds	App. Total	Left	Thru	Right	Peds	App. Total	Left	Thru	Right	Peds	App. Total	Left	Thru	Right	Peds	App. Total	
06:00	9	1	1	0	11	0	39	2	0	41	10	0	0	0	10	5	18	0	0	23	85
06:15	6	1	3	0	10	3	39	6	0	48	12	6	1	0	19	22	30	4	0	56	133
06:30	4	3	14	0	21	2	40	8	0	50	20	6	1	0	27	24	30	9	0	63	161
06:45	5	5	14	0	24	1	50	9	0	60	12	8	3	0	23	29	31	5	0	65	172
Total	24	10	32	0	66	6	168	25	0	199	54	20	5	0	79	80	109	18	0	207	551
07:00	1	4	26	0	31	1	45	11	1	58	22	4	0	0	26	25	36	4	0	65	180
07:15	5	6	33	0	44	6	58	14	0	78	26	8	3	0	37	34	31	15	0	80	239
07:30	6	10	32	0	48	3	61	16	0	80	21	12	1	0	34	45	45	15	0	105	267
07:45	8	8	30	0	46	3	39	11	0	53	13	15	4	0	32	40	47	12	0	99	230
Total	20	28	121	0	169	13	203	52	1	269	82	39	8	0	129	144	159	46	0	349	916
08:00	12	13	34	1	60	3	55	8	0	66	13	8	3	0	24	38	62	15	0	115	265
08:15	10	6	29	1	46	2	60	8	0	70	15	8	6	0	29	40	45	18	0	103	248
08:30	5	15	30	0	50	2	43	13	0	58	14	5	6	0	25	28	69	28	0	125	258
08:45	6	12	33	1	52	6	58	9	2	75	15	9	3	0	27	28	62	23	0	113	267
Total	33	46	126	3	208	13	216	38	2	269	57	30	18	0	105	134	238	84	0	456	1038
09:00	7	8	41	0	56	3	44	16	1	64	23	9	2	2	36	31	45	20	0	96	252
09:15	7	4	31	0	42	0	36	7	0	43	16	5	2	0	23	38	42	14	0	94	202
09:30	4	5	29	0	38	4	53	2	0	59	9	4	3	0	16	45	54	21	0	120	233
09:45	7	12	33	0	52	3	38	8	1	50	13	13	5	0	31	36	65	19	0	120	253
Total	25	29	134	0	188	10	171	33	2	216	61	31	12	2	106	150	206	74	0	430	940
10:00	4	5	34	0	43	3	34	9	1	47	16	8	5	0	29	39	43	14	0	96	215
10:15	11	12	41	0	64	4	44	4	0	52	15	6	1	0	22	55	44	18	0	117	255
10:30	7	5	45	0	57	4	43	12	0	59	18	8	2	0	28	31	41	18	0	90	234
10:45	6	15	45	1	67	8	38	9	0	55	12	11	4	0	27	32	59	24	0	115	264
Total	28	37	165	1	231	19	159	34	1	213	61	33	12	0	106	157	187	74	0	418	968
11:00	3	11	35	1	50	5	35	9	2	51	19	6	2	0	27	39	59	22	0	120	248
11:15	10	14	42	2	68	0	48	9	0	57	15	10	1	0	26	41	52	31	0	124	275
11:30	8	15	36	1	60	6	39	10	0	55	22	3	7	0	32	40	54	27	0	121	268
11:45	6	12	40	0	58	5	57	9	0	71	24	8	6	0	38	65	66	35	0	166	333
Total	27	52	153	4	236	16	179	37	2	234	80	27	16	0	123	185	231	115	0	531	1124
12:00	10	14	44	0	68	9	51	12	0	72	28	9	14	0	51	45	58	45	0	148	339
12:15	14	9	46	0	69	4	59	11	1	75	35	11	11	0	57	47	59	34	0	140	341
12:30	7	12	45	1	65	7	59	8	0	74	20	11	12	0	43	36	67	35	0	138	320
12:45	9	12	34	1	56	6	49	12	0	67	30	12	7	0	49	51	59	28	0	138	310
Total	40	47	169	2	258	26	218	43	1	288	113	43	44	0	200	179	243	142	0	564	1310
13:00	7	9	43	1	60	8	43	7	0	58	22	9	10	0	41	48	64	24	0	136	295
13:15	7	14	43	1	65	6	43	13	1	63	20	6	4	0	30	38	77	24	0	139	297
13:30	8	7	43	0	58	5	42	11	0	58	27	15	8	0	50	55	66	35	0	156	322
13:45	8	9	42	0	59	5	52	4	0	61	23	13	12	0	48	59	74	32	0	165	333
Total	30	39	171	2	242	24	180	35	1	240	92	43	34	0	169	200	281	115	0	596	1247

# Short Elliott Hendrickson Inc.

3535 Vadnais Center Drive  
St. Paul, MN 55110

"Building a Better World for All of Us"



## TRAFFIC DATA

Upper 55th St & Blaine Ave

Ref.Pt.: 125.926

Data By: Short Elliott Hendrickson, Inc.

TURN MOVEMENT COUNT

File Name : Upper 55th St & Blaine Ave 2019

Site Code : 3c

Start Date : 5/2/2019

Page No : 2

Groups Printed- Vehicles - Trucks

Start Time	Southbound					Westbound					Northbound					Eastbound					Int. Total
	Left	Thru	Right	Peds	App. Total	Left	Thru	Right	Peds	App. Total	Left	Thru	Right	Peds	App. Total	Left	Thru	Right	Peds	App. Total	
14:00	7	8	48	1	64	1	50	6	1	58	18	15	6	0	39	41	63	30	0	134	295
14:15	4	9	49	2	64	2	38	13	0	53	22	7	1	0	30	44	81	24	0	149	296
14:30	9	11	58	0	78	2	45	3	0	50	23	10	5	0	38	40	79	31	0	150	316
14:45	11	18	47	2	78	6	47	17	2	72	13	14	7	0	34	39	77	35	0	151	335
Total	31	46	202	5	284	11	180	39	3	233	76	46	19	0	141	164	300	120	0	584	1242
15:00	6	17	41	1	65	3	61	7	2	73	19	9	6	2	36	40	84	34	0	158	332
15:15	9	8	46	3	66	2	50	12	0	64	15	9	7	0	31	43	89	31	0	163	324
15:30	8	9	46	1	64	6	66	5	0	77	22	10	5	0	37	43	89	29	0	161	339
15:45	6	21	36	1	64	4	61	9	0	74	26	11	10	0	47	46	122	59	0	227	412
Total	29	55	169	6	259	15	238	33	2	288	82	39	28	2	151	172	384	153	0	709	1407
16:00	14	18	42	0	74	6	73	6	0	85	26	18	7	0	51	46	120	38	0	204	414
16:15	10	18	47	2	77	6	58	9	0	73	16	15	5	0	36	36	150	50	0	236	422
16:30	13	13	52	0	78	4	55	5	0	64	26	10	13	0	49	50	145	57	0	252	443
16:45	11	12	44	2	69	6	73	9	0	88	27	19	10	0	56	42	155	64	0	261	474
Total	48	61	185	4	298	22	259	29	0	310	95	62	35	0	192	174	570	209	0	953	1753
17:00	8	15	46	0	69	5	66	9	0	80	29	22	11	0	62	42	164	60	0	266	477
17:15	13	14	40	0	67	5	52	9	1	67	28	15	9	0	52	31	151	46	0	228	414
17:30	5	14	32	0	51	7	65	11	2	85	24	16	9	0	49	40	150	55	0	245	430
17:45	4	18	40	1	63	12	61	10	0	83	34	19	6	0	59	47	102	61	0	210	415
Total	30	61	158	1	250	29	244	39	3	315	115	72	35	0	222	160	567	222	0	949	1736
18:00	10	19	20	0	49	3	58	6	0	67	25	12	9	0	46	27	90	30	0	147	309
18:15	10	10	30	3	53	4	51	9	2	66	23	12	11	0	46	25	81	40	0	146	311
18:30	6	11	24	2	43	10	53	12	2	77	17	9	6	0	32	27	78	28	0	133	285
18:45	6	15	20	3	44	3	42	9	0	54	20	11	5	0	36	30	53	30	0	113	247
Total	32	55	94	8	189	20	204	36	4	264	85	44	31	0	160	109	302	128	0	539	1152
Grand Total	397	566	1879	36	2878	224	2619	473	22	3338	1053	529	297	4	1883	2008	3777	1500	0	7285	15384
Apprch %	13.8	19.7	65.3	1.3		6.7	78.5	14.2	0.7		55.9	28.1	15.8	0.2		27.6	51.8	20.6	0		
Total %	2.6	3.7	12.2	0.2	18.7	1.5	17	3.1	0.1	21.7	6.8	3.4	1.9	0	12.2	13.1	24.6	9.8	0	47.4	
Vehicles	393	556	1792				2497				1027					1907	3645	1482			14850
% Vehicles	99	98.2	95.4	100	96.5	98.2	95.3	97.7	90.9	95.8	97.5	98.1	98.3	50	97.7	95	96.5	98.8	0	96.6	96.5
Trucks	4	10	87	0	101	4	122	11	2	139	26	10	5	2	43	101	132	18	0	251	534
% Trucks	1	1.8	4.6	0	3.5	1.8	4.7	2.3	9.1	4.2	2.5	1.9	1.7	50	2.3	5	3.5	1.2	0	3.4	3.5

# Short Elliott Hendrickson Inc.

3535 Vadnais Center Drive  
St. Paul, MN 55110

"Building a Better World for All of Us"



## TRAFFIC DATA

Upper 55th St & Blaine Ave

Ref.Pt.: 125.926

Data By: Short Elliott Hendrickson, Inc.

TURN MOVEMENT COUNT

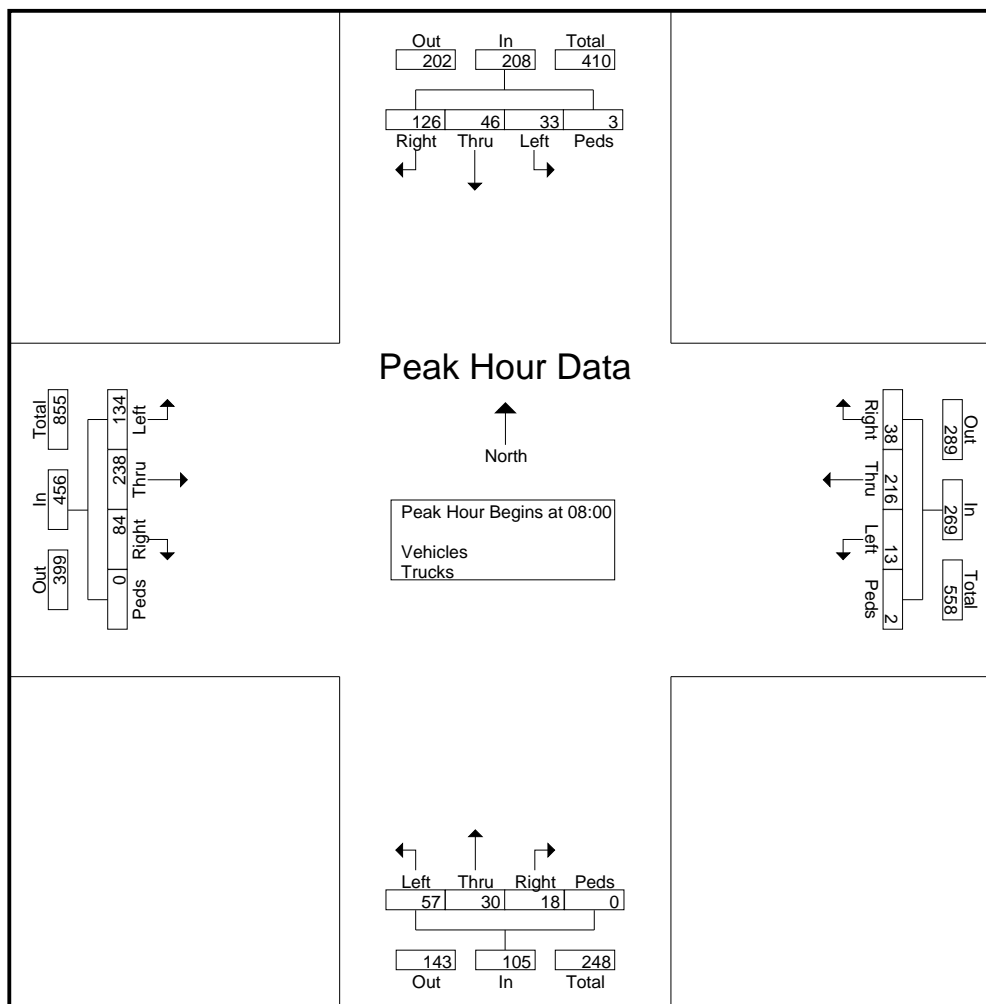
File Name : Upper 55th St & Blaine Ave 2019

Site Code : 3c

Start Date : 5/2/2019

Page No : 3

Start Time	Southbound					Westbound					Northbound					Eastbound					Int. Total
	Left	Thru	Right	Peds	App. Total	Left	Thru	Right	Peds	App. Total	Left	Thru	Right	Peds	App. Total	Left	Thru	Right	Peds	App. Total	
Peak Hour Analysis From 06:00 to 08:45 - Peak 1 of 1																					
Peak Hour for Entire Intersection Begins at 08:00																					
08:00	12	13	34	1	60	3	55	8	0	66	13	8	3	0	24	38	62	15	0	115	265
08:15	10	6	29	1	46	2	60	8	0	70	15	8	6	0	29	40	45	18	0	103	248
08:30	5	15	30	0	50	2	43	13	0	58	14	5	6	0	25	28	69	28	0	125	258
08:45	6	12	33	1	52	6	58	9	2	75	15	9	3	0	27	28	62	23	0	113	267
Total Volume	33	46	126	3	208	13	216	38	2	269	57	30	18	0	105	134	238	84	0	456	1038
% App. Total	15.9	22.1	60.6	1.4		4.8	80.3	14.1	0.7		54.3	28.6	17.1	0		29.4	52.2	18.4	0		
PHF	.688	.767	.926	.750	.867	.542	.900	.731	.250	.897	.950	.833	.750	.000	.905	.838	.862	.750	.000	.912	.972



# Short Elliott Hendrickson Inc.

3535 Vadnais Center Drive  
St. Paul, MN 55110

"Building a Better World for All of Us"



## TRAFFIC DATA

Upper 55th St & Blaine Ave

Ref.Pt.: 125.926

Data By: Short Elliott Hendrickson, Inc.

TURN MOVEMENT COUNT

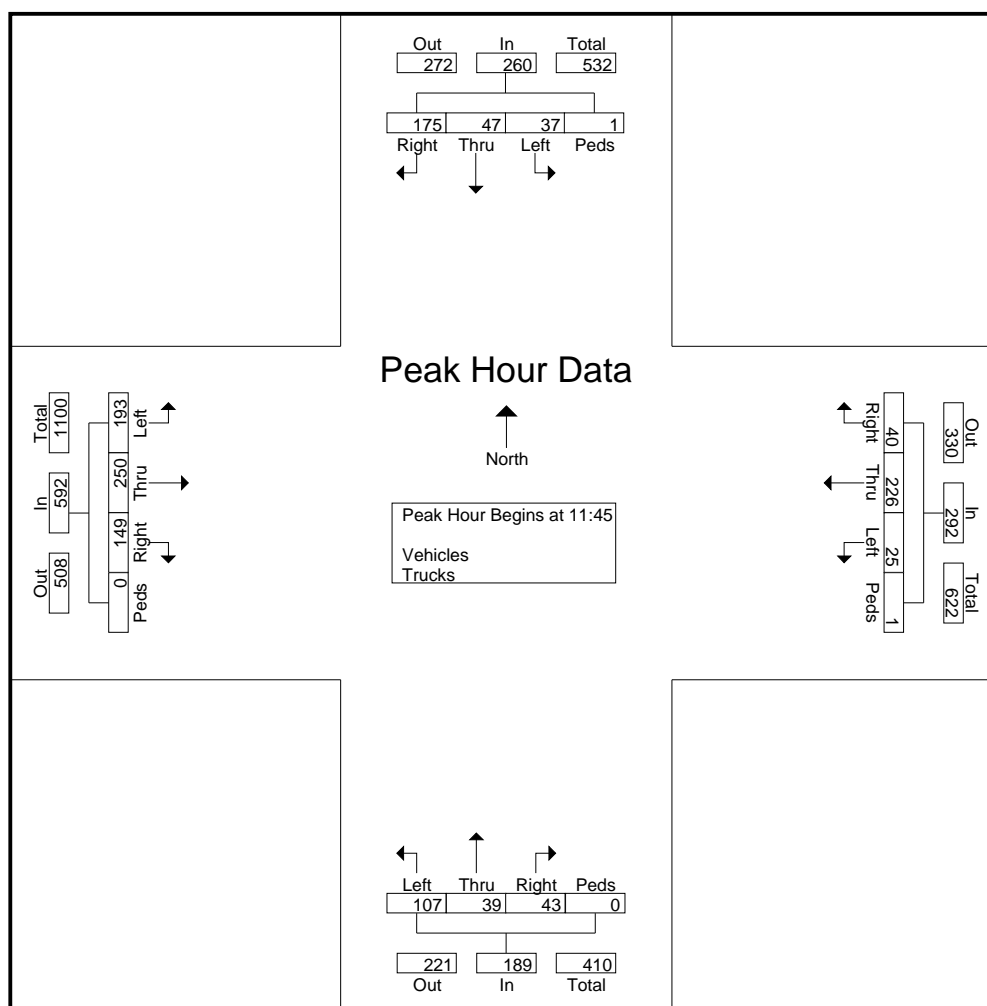
File Name : Upper 55th St & Blaine Ave 2019

Site Code : 3c

Start Date : 5/2/2019

Page No : 4

Start Time	Southbound					Westbound					Northbound					Eastbound					Int. Total
	Left	Thru	Right	Peds	App. Total	Left	Thru	Right	Peds	App. Total	Left	Thru	Right	Peds	App. Total	Left	Thru	Right	Peds	App. Total	
Peak Hour Analysis From 11:00 to 12:45 - Peak 1 of 1																					
Peak Hour for Entire Intersection Begins at 11:45																					
11:45	6	12	40	0	58	5	57	9	0	71	24	8	6	0	38	65	66	35	0	166	333
12:00	10	14	44	0	68	9	51	12	0	72	28	9	14	0	51	45	58	45	0	148	339
12:15	14	9	46	0	69	4	59	11	1	75	35	11	11	0	57	47	59	34	0	140	341
12:30	7	12	45	1	65	7	59	8	0	74	20	11	12	0	43	36	67	35	0	138	320
Total Volume	37	47	175	1	260	25	226	40	1	292	107	39	43	0	189	193	250	149	0	592	1333
% App. Total	14.2	18.1	67.3	0.4		8.6	77.4	13.7	0.3		56.6	20.6	22.8	0		32.6	42.2	25.2	0		
PHF	.661	.839	.951	.250	.942	.694	.958	.833	.250	.973	.764	.886	.768	.000	.829	.742	.933	.828	.000	.892	.977



# Short Elliott Hendrickson Inc.

3535 Vadnais Center Drive  
St. Paul, MN 55110

"Building a Better World for All of Us"



## TRAFFIC DATA

Upper 55th St & Blaine Ave

Ref.Pt.: 125.926

Data By: Short Elliott Hendrickson, Inc.

TURN MOVEMENT COUNT

File Name : Upper 55th St & Blaine Ave 2019

Site Code : 3c

Start Date : 5/2/2019

Page No : 5

Start Time	Southbound					Westbound					Northbound					Eastbound					Int. Total
	Left	Thru	Right	Peds	App. Total	Left	Thru	Right	Peds	App. Total	Left	Thru	Right	Peds	App. Total	Left	Thru	Right	Peds	App. Total	
Peak Hour Analysis From 15:00 to 17:45 - Peak 1 of 1																					
Peak Hour for Entire Intersection Begins at 16:15																					
16:15	10	18	47	2	77	6	58	9	0	73	16	15	5	0	36	36	150	50	0	236	422
16:30	13	13	52	0	78	4	55	5	0	64	26	10	13	0	49	50	145	57	0	252	443
16:45	11	12	44	2	69	6	73	9	0	88	27	19	10	0	56	42	155	64	0	261	474
17:00	8	15	46	0	69	5	66	9	0	80	29	22	11	0	62	42	164	60	0	266	477
Total Volume	42	58	189	4	293	21	252	32	0	305	98	66	39	0	203	170	614	231	0	1015	1816
% App. Total	14.3	19.8	64.5	1.4		6.9	82.6	10.5	0		48.3	32.5	19.2	0		16.7	60.5	22.8	0		
PHF	.808	.806	.909	.500	.939	.875	.863	.889	.000	.866	.845	.750	.750	.000	.819	.850	.936	.902	.000	.954	.952

