

ALLIANT ENGINEERING INC.

733 S Marquette Ave #700, Minneapolis, MN 55402

TH 61 & Roselawn Ave
 Ref Pt: 140+00.566
 data by: Alliant Inc
 TURN MOVEMENT COUNT

File Name : 502_TH 61 and Roselawn Avenue
 Site Code : 1736083
 Start Date : 11/12/2019
 Page No : 1

Groups Printed- Cars - Trucks

Start Time	TH 61 Southbound					Westbound					TH 61 Northbound					Roselawn Ave E Eastbound					Int. Total	
	Right	Thru	Left	Peds	App. Total	Right	Thru	Left	Peds	App. Total	Right	Thru	Left	Peds	App. Total	Right	Thru	Left	Peds	App. Total		
04:00 AM	4	1	0	0	5	0	0	0	0	0	0	8	4	0	12	0	0	0	0	0	0	17
04:15 AM	5	8	0	0	13	0	0	0	0	0	0	9	1	0	10	0	0	1	0	1	0	24
04:30 AM	6	8	0	0	14	0	0	0	0	0	0	21	4	0	25	1	0	0	0	1	0	40
04:45 AM	8	5	0	0	13	0	0	0	0	0	0	27	7	0	34	1	0	0	0	1	0	48
Total	23	22	0	0	45	0	0	0	0	0	0	65	16	0	81	2	0	1	0	3	0	129
05:00 AM	8	13	0	0	21	0	0	0	0	0	0	19	0	0	19	3	0	0	0	3	0	43
05:15 AM	10	23	0	0	33	0	0	0	0	0	0	39	3	0	42	3	0	3	0	6	0	81
05:30 AM	9	32	0	0	41	0	0	0	0	0	0	52	4	0	56	6	1	2	0	9	0	106
05:45 AM	11	31	0	0	42	0	0	0	0	0	0	46	4	0	50	4	0	4	0	8	0	100
Total	38	99	0	0	137	0	0	0	0	0	0	156	11	0	167	16	1	9	0	26	0	330
06:00 AM	11	56	0	0	67	0	0	0	0	0	0	52	5	0	57	4	0	4	0	8	0	132
06:15 AM	33	92	0	1	126	0	0	0	0	0	0	62	11	0	73	5	1	6	0	12	0	211
06:30 AM	31	145	1	3	180	0	0	0	0	0	0	67	18	0	85	10	3	5	0	18	0	283
06:45 AM	31	209	1	4	245	0	0	0	0	0	0	114	11	0	125	11	1	5	0	17	0	387
Total	106	502	2	8	618	0	0	0	0	0	0	295	45	0	340	30	5	20	0	55	0	1013
07:00 AM	49	253	1	6	309	0	0	0	0	0	0	105	15	0	120	8	1	15	0	24	0	453
07:15 AM	56	276	0	5	337	0	0	0	0	0	0	94	18	0	112	17	2	16	0	35	0	484
07:30 AM	73	287	1	5	366	0	0	0	0	0	0	125	39	0	164	17	3	14	0	34	0	564
07:45 AM	71	321	0	8	400	0	0	0	0	0	0	123	29	0	152	18	2	21	0	41	0	593
Total	249	1137	2	24	1412	0	0	0	0	0	0	447	101	0	548	60	8	66	0	134	0	2094
08:00 AM	39	261	2	3	305	0	0	0	0	0	0	134	21	0	155	14	5	11	0	30	0	490
08:15 AM	41	218	5	9	273	0	0	0	0	0	0	103	17	0	120	15	0	17	0	32	0	425
08:30 AM	37	217	2	3	259	0	0	0	0	0	0	127	14	0	141	18	2	11	0	31	0	431
08:45 AM	31	145	4	4	184	0	0	0	0	0	0	120	12	0	132	15	4	16	0	35	0	351
Total	148	841	13	19	1021	0	0	0	0	0	0	484	64	0	548	62	11	55	0	128	0	1697
09:00 AM	33	136	0	2	171	0	0	0	0	0	0	91	14	0	105	10	0	17	0	27	0	303
09:15 AM	28	99	1	2	130	0	0	0	0	0	0	114	22	0	136	21	2	24	0	47	0	313
09:30 AM	24	91	0	2	117	0	0	0	0	0	0	110	13	0	123	15	5	26	0	46	0	286
09:45 AM	27	83	0	0	110	0	0	0	0	0	0	121	15	0	136	16	3	21	0	40	0	286
Total	112	409	1	6	528	0	0	0	0	0	0	436	64	0	500	62	10	88	0	160	0	1188
10:00 AM	21	99	0	4	124	0	0	0	0	0	0	101	12	0	113	22	2	55	0	79	0	316
10:15 AM	22	86	0	4	112	0	0	0	0	0	0	108	10	0	118	23	7	28	0	58	0	288
10:30 AM	25	96	2	3	126	0	0	0	0	0	0	112	10	0	122	18	1	27	0	46	0	294
10:45 AM	31	107	3	1	142	0	0	0	0	0	0	118	16	0	134	14	3	16	0	33	0	309
Total	99	388	5	12	504	0	0	0	0	0	0	439	48	0	487	77	13	126	0	216	0	1207
11:00 AM	31	89	1	1	122	0	0	0	0	0	0	124	13	0	137	10	4	13	0	27	0	286
11:15 AM	31	98	1	4	134	0	0	0	0	0	0	116	14	0	130	8	0	20	0	28	0	292
11:30 AM	36	117	0	5	158	0	0	0	0	0	0	123	16	0	139	11	5	18	0	34	0	331
11:45 AM	31	108	0	1	140	0	0	0	0	0	0	97	8	0	105	14	0	13	0	27	0	272
Total	129	412	2	11	554	0	0	0	0	0	0	460	51	0	511	43	9	64	0	116	0	1181
12:00 PM	32	134	6	2	174	0	0	0	0	0	0	106	11	0	117	8	3	13	0	24	0	315
12:15 PM	29	113	0	0	142	0	0	0	0	0	0	129	8	0	137	11	2	13	0	26	0	305
12:30 PM	32	142	2	2	178	0	0	0	0	0	0	116	9	0	125	8	1	16	0	25	0	328
12:45 PM	27	119	1	2	149	0	0	0	0	0	0	126	9	0	135	9	1	25	0	35	0	319
Total	120	508	9	6	643	0	0	0	0	0	0	477	37	0	514	36	7	67	0	110	0	1267

ALLIANT ENGINEERING INC.

733 S Marquette Ave #700, Minneapolis, MN 55402

TH 61 & Roselawn Ave
 Ref Pt: 140+00.566
 data by: Alliant Inc
 TURN MOVEMENT COUNT

File Name : 502_TH 61 and Roselawn Avenue
 Site Code : 1736083
 Start Date : 11/12/2019
 Page No : 2

Groups Printed- Cars - Trucks

Start Time	TH 61 Southbound					Westbound					TH 61 Northbound					Roselawn Ave E Eastbound					Int. Total
	Right	Thru	Left	Peds	App. Total	Right	Thru	Left	Peds	App. Total	Right	Thru	Left	Peds	App. Total	Right	Thru	Left	Peds	App. Total	
01:00 PM	43	135	0	2	180	0	0	0	0	0	0	149	9	0	158	6	2	24	0	32	370
01:15 PM	30	104	1	2	137	0	0	0	0	0	0	120	13	0	133	21	1	15	0	37	307
01:30 PM	29	109	4	3	145	0	0	0	0	0	0	156	5	0	161	18	2	23	0	43	349
01:45 PM	34	130	2	1	167	0	0	0	0	0	0	152	12	0	164	11	2	13	0	26	357
Total	136	478	7	8	629	0	0	0	0	0	0	577	39	0	616	56	7	75	0	138	1383
02:00 PM	36	132	6	1	175	0	0	0	0	0	0	137	18	0	155	10	2	19	0	31	361
02:15 PM	46	144	2	2	194	0	0	0	0	0	0	155	15	0	170	10	0	20	0	30	394
02:30 PM	43	156	1	1	201	0	0	0	0	0	0	187	14	0	201	17	1	27	0	45	447
02:45 PM	42	163	6	1	212	0	0	0	0	0	0	198	11	0	209	22	1	27	0	50	471
Total	167	595	15	5	782	0	0	0	0	0	0	677	58	0	735	59	4	93	0	156	1673
03:00 PM	48	179	10	1	238	0	0	0	0	0	0	206	18	0	224	28	6	30	0	64	526
03:15 PM	38	174	3	3	218	0	0	0	0	0	0	184	18	0	202	49	9	48	0	106	526
03:30 PM	50	200	3	0	253	0	0	0	0	0	1	227	28	1	257	26	2	34	0	62	572
03:45 PM	45	174	1	0	220	0	0	0	0	0	0	245	31	0	276	35	6	38	0	79	575
Total	181	727	17	4	929	0	0	0	0	0	1	862	95	1	959	138	23	150	0	311	2199
04:00 PM	57	199	4	1	261	0	0	0	0	0	0	283	30	0	313	29	7	61	0	97	671
04:15 PM	64	178	1	2	245	0	0	0	0	0	0	385	26	0	411	32	8	49	0	89	745
04:30 PM	55	203	0	2	260	0	0	0	0	0	0	412	17	0	429	36	1	58	0	95	784
04:45 PM	60	163	0	0	223	0	0	0	0	0	0	423	32	0	455	30	3	70	0	103	781
Total	236	743	5	5	989	0	0	0	0	0	0	1503	105	0	1608	127	19	238	0	384	2981
05:00 PM	47	171	0	1	219	0	0	0	0	0	0	382	21	0	403	30	3	57	0	90	712
05:15 PM	35	171	0	0	206	0	0	0	0	0	0	396	34	0	430	15	6	52	0	73	709
05:30 PM	39	186	2	0	227	0	0	0	0	0	0	330	17	0	347	23	1	26	0	50	624
05:45 PM	40	154	0	1	195	0	0	0	0	0	0	249	29	0	278	20	0	25	0	45	518
Total	161	682	2	2	847	0	0	0	0	0	0	1357	101	0	1458	88	10	160	0	258	2563
06:00 PM	36	163	0	1	200	0	0	0	0	0	0	184	14	0	198	18	1	27	0	46	444
06:15 PM	25	150	0	0	175	0	0	0	0	0	0	139	14	0	153	14	1	14	0	29	357
06:30 PM	37	137	1	0	175	0	0	0	0	0	0	118	10	0	128	14	1	15	0	30	333
06:45 PM	31	134	0	0	165	0	0	0	0	0	0	117	7	0	124	3	7	11	0	21	310
Total	129	584	1	1	715	0	0	0	0	0	0	558	45	0	603	49	10	67	0	126	1444
07:00 PM	28	101	1	0	130	0	0	0	0	0	0	113	11	0	124	9	1	7	0	17	271
07:15 PM	35	121	0	0	156	0	0	0	0	0	0	81	2	0	83	8	1	7	0	16	255
07:30 PM	26	104	0	0	130	0	0	0	0	0	0	100	9	0	109	3	1	8	0	12	251
07:45 PM	31	102	0	0	133	0	0	0	0	0	0	71	5	0	76	8	0	10	0	18	227
Total	120	428	1	0	549	0	0	0	0	0	0	365	27	0	392	28	3	32	0	63	1004
08:00 PM	32	107	0	1	140	0	0	0	0	0	0	64	6	0	70	6	1	4	0	11	221
08:15 PM	30	88	0	0	118	0	0	0	0	0	0	64	7	0	71	2	0	4	0	6	195
08:30 PM	24	92	0	0	116	0	0	0	0	0	0	52	6	0	58	5	0	5	0	10	184
08:45 PM	26	78	0	0	104	0	0	0	0	0	0	48	7	0	55	10	0	4	0	14	173
Total	112	365	0	1	478	0	0	0	0	0	0	228	26	0	254	23	1	17	0	41	773
09:00 PM	32	80	0	0	112	0	0	0	0	0	0	37	3	0	40	5	0	6	0	11	163
09:15 PM	31	49	0	0	80	0	0	0	0	0	0	46	2	0	48	7	0	5	0	12	140
09:30 PM	25	45	0	1	71	0	0	0	0	0	0	53	4	0	57	3	1	8	0	12	140
09:45 PM	29	60	0	0	89	0	0	0	0	0	0	40	6	0	46	6	2	3	0	11	146
Total	117	234	0	1	352	0	0	0	0	0	0	176	15	0	191	21	3	22	0	46	589
Grand Total	2383	9154	82	113	11732	0	0	0	0	0	1	9562	948	1	10512	977	144	1350	0	2471	24715
Apprch %	20.3	78	0.7	1		0	0	0	0		0	91	9	0		39.5	5.8	54.6	0		
Total %	9.6	37	0.3	0.5	47.5	0	0	0	0		0	38.7	3.8	0	42.5	4	0.6	5.5	0	10	
Cars	1483	9154	50	0	10687	0	0	0	0	0	1	9562	948	1	10512	977	8	1306	0	2291	23490
% Cars	62.2	100	61	0	91.1	0	0	0	0	0	100	100	100	100	100	100	5.6	96.7	0	92.7	95

ALLIANT ENGINEERING INC.

733 S Marquette Ave #700, Minneapolis, MN 55402

TH 61 & Roselawn Ave
 Ref Pt: 140+00.566
 data by: Alliant Inc
 TURN MOVEMENT COUNT

File Name : 502_TH 61 and Roselawn Avenue
 Site Code : 1736083
 Start Date : 11/12/2019
 Page No : 3

Groups Printed- Cars - Trucks

	TH 61 Southbound					Westbound					TH 61 Northbound					Roselawn Ave E Eastbound					Int. Total
	Right	Thru	Left	Peds	App. Total	Right	Thru	Left	Peds	App. Total	Right	Thru	Left	Peds	App. Total	Right	Thru	Left	Peds	App. Total	
Trucks	900	0	32	113	1045	0	0	0	0	0	0	0	0	0	0	0	136	44	0	180	1225
% Trucks	37.8	0	39	100	8.9	0	0	0	0	0	0	0	0	0	0	0	94.4	3.3	0	7.3	5

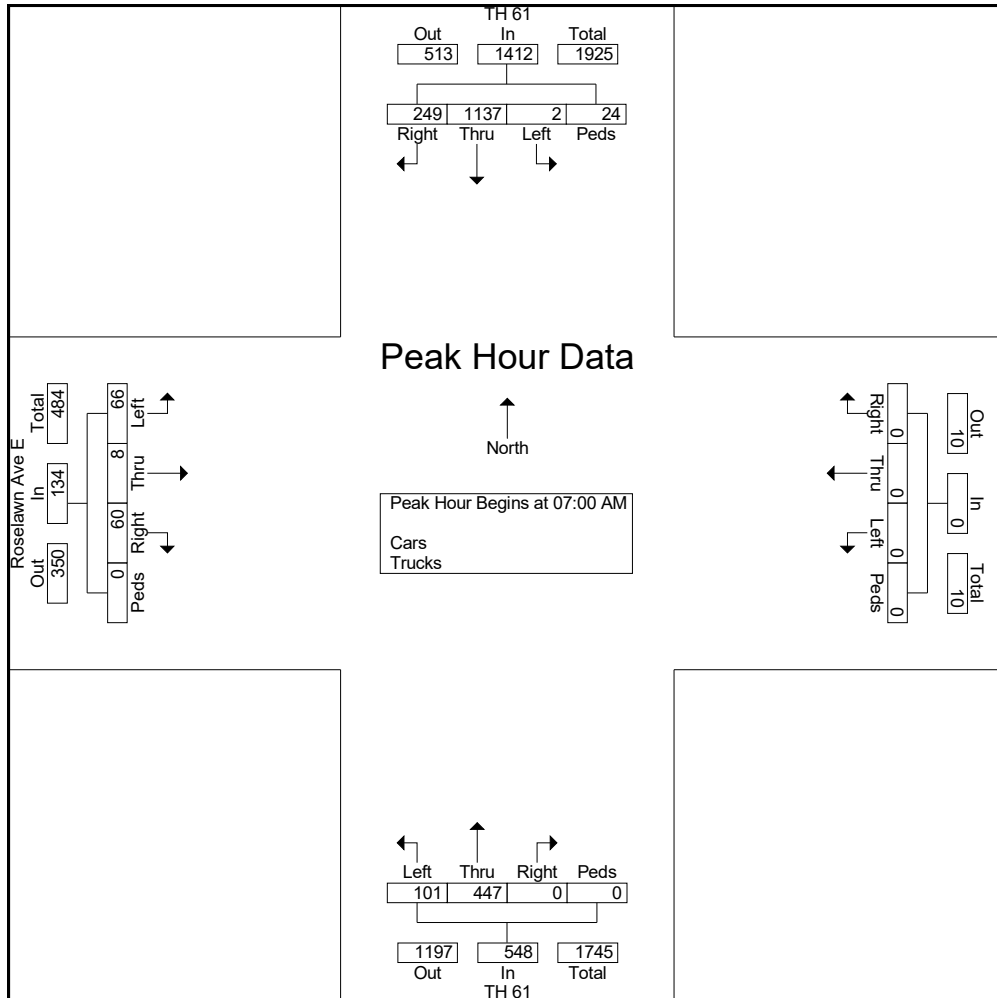
ALLIANT ENGINEERING INC.

733 S Marquette Ave #700, Minneapolis, MN 55402

TH 61 & Roselawn Ave
 Ref Pt: 140+00.566
 data by: Alliant Inc
 TURN MOVEMENT COUNT

File Name : 502_TH 61 and Roselawn Avenue
 Site Code : 1736083
 Start Date : 11/12/2019
 Page No : 4

Start Time	TH 61 Southbound					Westbound					TH 61 Northbound					Roselawn Ave E Eastbound					Int. Total
	Right	Thru	Left	Peds	App. Total	Right	Thru	Left	Peds	App. Total	Right	Thru	Left	Peds	App. Total	Right	Thru	Left	Peds	App. Total	
Peak Hour Analysis From 04:00 AM to 07:45 AM - Peak 1 of 1																					
Peak Hour for Entire Intersection Begins at 07:00 AM																					
07:00 AM	49	253	1	6	309	0	0	0	0	0	0	105	15	0	120	8	1	15	0	24	453
07:15 AM	56	276	0	5	337	0	0	0	0	0	0	94	18	0	112	17	2	16	0	35	484
07:30 AM	73	287	1	5	366	0	0	0	0	0	0	125	39	0	164	17	3	14	0	34	564
07:45 AM	71	321	0	8	400	0	0	0	0	0	0	123	29	0	152	18	2	21	0	41	593
Total Volume	249	1137	2	24	1412	0	0	0	0	0	0	447	101	0	548	60	8	66	0	134	2094
% App. Total	17.6	80.5	0.1	1.7		0	0	0	0	0	0	81.6	18.4	0		44.8	6	49.3	0		
PHF	.853	.886	.500	.750	.883	.000	.000	.000	.000	.000	.000	.894	.647	.000	.835	.833	.667	.786	.000	.817	.883



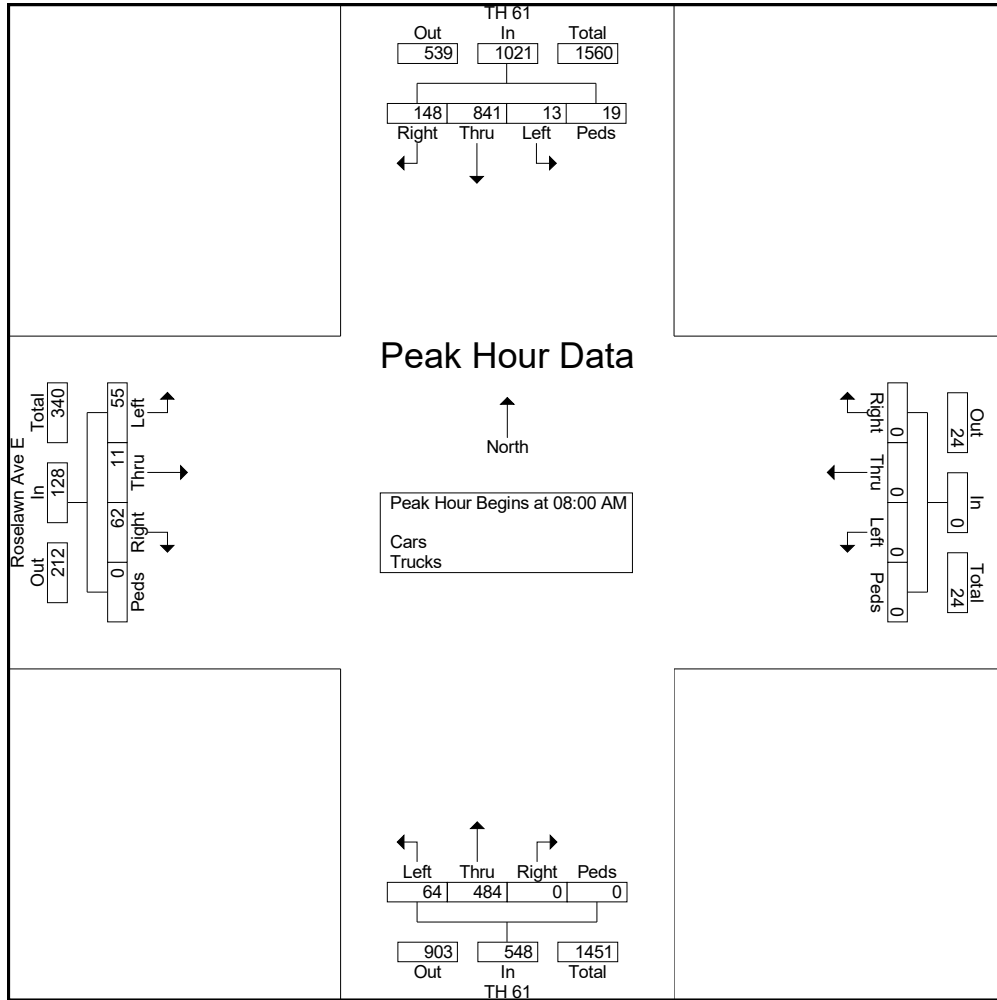
ALLIANT ENGINEERING INC.

733 S Marquette Ave #700, Minneapolis, MN 55402

TH 61 & Roselawn Ave
 Ref Pt: 140+00.566
 data by: Alliant Inc
 TURN MOVEMENT COUNT

File Name : 502_TH 61 and Roselawn Avenue
 Site Code : 1736083
 Start Date : 11/12/2019
 Page No : 5

Start Time	TH 61 Southbound					Westbound					TH 61 Northbound					Roselawn Ave E Eastbound					Int. Total
	Right	Thru	Left	Peds	App. Total	Right	Thru	Left	Peds	App. Total	Right	Thru	Left	Peds	App. Total	Right	Thru	Left	Peds	App. Total	
Peak Hour Analysis From 08:00 AM to 11:45 AM - Peak 1 of 1																					
Peak Hour for Entire Intersection Begins at 08:00 AM																					
08:00 AM	39	261	2	3	305	0	0	0	0	0	0	134	21	0	155	14	5	11	0	30	490
08:15 AM	41	218	5	9	273	0	0	0	0	0	0	103	17	0	120	15	0	17	0	32	425
08:30 AM	37	217	2	3	259	0	0	0	0	0	0	127	14	0	141	18	2	11	0	31	431
08:45 AM	31	145	4	4	184	0	0	0	0	0	0	120	12	0	132	15	4	16	0	35	351
Total Volume	148	841	13	19	1021	0	0	0	0	0	0	484	64	0	548	62	11	55	0	128	1697
% App. Total	14.5	82.4	1.3	1.9		0	0	0	0	0	0	88.3	11.7	0		48.4	8.6	43	0		
PHF	.902	.806	.650	.528	.837	.000	.000	.000	.000	.000	.000	.903	.762	.000	.884	.861	.550	.809	.000	.914	.866



ALLIANT ENGINEERING INC.

733 S Marquette Ave #700, Minneapolis, MN 55402

TH 61 & Roselawn Ave
 Ref Pt: 140+00.566
 data by: Alliant Inc
 TURN MOVEMENT COUNT

File Name : 502_TH 61 and Roselawn Avenue
 Site Code : 1736083
 Start Date : 11/12/2019
 Page No : 6

Start Time	TH 61 Southbound					Westbound					TH 61 Northbound					Roselawn Ave E Eastbound					Int. Total
	Right	Thru	Left	Peds	App. Total	Right	Thru	Left	Peds	App. Total	Right	Thru	Left	Peds	App. Total	Right	Thru	Left	Peds	App. Total	
Peak Hour Analysis From 12:00 PM to 03:45 PM - Peak 1 of 1																					
Peak Hour for Entire Intersection Begins at 03:00 PM																					
03:00 PM	48	179	10	1	238	0	0	0	0	0	0	206	18	0	224	28	6	30	0	64	526
03:15 PM	38	174	3	3	218	0	0	0	0	0	0	184	18	0	202	49	9	48	0	106	526
03:30 PM	50	200	3	0	253	0	0	0	0	0	1	227	28	1	257	26	2	34	0	62	572
03:45 PM	45	174	1	0	220	0	0	0	0	0	0	245	31	0	276	35	6	38	0	79	575
Total Volume	181	727	17	4	929	0	0	0	0	0	1	862	95	1	959	138	23	150	0	311	2199
% App. Total	19.5	78.3	1.8	0.4		0	0	0	0	0	0.1	89.9	9.9	0.1		44.4	7.4	48.2	0		
PHF	.905	.909	.425	.333	.918	.000	.000	.000	.000	.000	.250	.880	.766	.250	.869	.704	.639	.781	.000	.733	.956

