

**Alliant Engineering, Inc**

233 Park Ave Suite 300  
Minneapolis, MN 55415  
--TRAFFIC DATA --

CSAH-50 at I-35 East Ramp  
Ref.Pt.: 85.342  
data by : Alliant Inc.  
TURN MOVEMENT COUNT

File Name : 352\_CSAH 50 & I-35 E Ramp  
Site Code : 352  
Start Date : 10/25/2017  
Page No : 1

Groups Printed- Vehicles - Trucks

Start Time	CSAH 50 From North				I-35 E Ramp From East				CSAH 50 From South				I-35 E Ramp From West				Int. Total
	Other	Left	Thru	Rght	Other	Left	Thru	Rght	Other	Left	Thru	Rght	Other	Left	Thru	Rght	
06:00 AM	0	14	29	0	0	0	0	0	0	0	34	129	0	11	0	25	242
06:15 AM	0	19	41	0	0	0	0	0	0	0	45	170	0	22	0	16	313
06:30 AM	0	8	34	0	0	0	0	0	0	0	47	195	0	40	2	36	362
06:45 AM	0	12	54	0	0	0	0	0	0	0	75	205	0	35	0	51	432
Total	0	53	158	0	0	0	0	0	0	0	201	699	0	108	2	128	1349
07:00 AM	0	15	84	0	0	0	0	0	0	0	68	233	0	30	1	55	486
07:15 AM	0	9	80	0	0	0	0	0	0	0	108	250	0	36	0	27	510
07:30 AM	0	16	94	0	0	0	0	0	0	0	91	197	0	47	0	34	479
07:45 AM	0	12	113	0	0	0	0	0	0	0	107	187	0	47	0	36	502
Total	0	52	371	0	0	0	0	0	0	0	374	867	0	160	1	152	1977
08:00 AM	0	13	93	0	0	0	0	0	0	0	86	169	0	48	0	54	463
08:15 AM	0	14	82	0	0	0	0	0	0	0	68	166	0	28	0	31	389
08:30 AM	0	16	86	0	0	0	0	0	1	0	61	148	0	22	0	28	362
08:45 AM	0	18	79	0	0	0	0	0	0	0	66	160	0	32	0	23	378
Total	0	61	340	0	0	0	0	0	1	0	281	643	0	130	0	136	1592
09:00 AM	0	16	98	0	0	0	0	0	0	0	60	113	0	37	0	31	355
09:15 AM	0	16	105	0	0	0	0	0	0	0	58	142	0	31	0	39	391
*** BREAK ***																	
Total	0	32	203	0	0	0	0	0	0	0	118	255	0	68	0	70	746
*** BREAK ***																	
10:30 AM	0	7	77	0	0	0	0	0	0	0	65	87	0	12	0	29	277
10:45 AM	1	7	109	0	0	0	0	0	0	0	57	84	0	21	0	44	323
Total	1	14	186	0	0	0	0	0	0	0	122	171	0	33	0	73	600
11:00 AM	0	23	102	0	0	0	0	0	0	0	75	88	0	21	1	35	345
11:15 AM	0	12	122	0	0	0	0	0	0	0	66	86	0	30	1	33	350
11:30 AM	0	11	135	0	0	0	0	0	1	0	81	76	0	23	0	33	360
11:45 AM	1	15	134	0	0	0	0	0	0	0	87	92	0	19	1	49	398
Total	1	61	493	0	0	0	0	0	1	0	309	342	0	93	3	150	1453
12:00 PM	0	13	146	0	0	0	0	0	1	0	87	66	0	15	0	39	367
12:15 PM	0	20	124	0	0	0	0	0	0	0	86	108	0	26	0	32	396
12:30 PM	0	17	143	0	0	0	0	0	0	0	87	90	0	13	0	47	397
12:45 PM	0	12	136	0	0	0	0	0	0	0	86	106	0	29	0	47	416
Total	0	62	549	0	0	0	0	0	1	0	346	370	0	83	0	165	1576
01:00 PM	1	13	148	0	0	0	0	0	0	0	87	100	0	21	1	36	407
01:15 PM	0	16	128	0	0	0	0	0	0	0	76	79	0	15	0	35	349
*** BREAK ***																	
Total	1	29	276	0	0	0	0	0	0	0	163	179	0	36	1	71	756
*** BREAK ***																	
02:30 PM	0	23	150	0	0	0	0	0	0	0	80	93	0	26	0	34	406
02:45 PM	0	11	177	0	0	0	0	0	0	0	91	113	0	38	0	37	467
Total	0	34	327	0	0	0	0	0	0	0	171	206	0	64	0	71	873
03:00 PM	0	12	188	0	0	0	0	0	1	0	91	77	0	29	0	37	435
03:15 PM	0	17	211	0	0	0	0	0	0	0	85	107	0	25	0	49	494
03:30 PM	0	17	221	0	0	0	0	0	0	0	92	83	0	25	0	49	487
03:45 PM	0	21	237	0	0	0	0	0	0	0	121	103	0	36	0	38	556
Total	0	67	857	0	0	0	0	0	1	0	389	370	0	115	0	173	1972
04:00 PM	0	18	268	0	0	0	0	0	0	0	134	113	0	24	1	38	596
04:15 PM	0	10	278	0	0	0	0	0	0	0	123	107	0	47	0	42	607
04:30 PM	0	21	274	0	0	0	0	0	0	0	114	106	0	52	0	45	612
04:45 PM	0	12	301	0	0	0	0	0	0	0	143	105	0	32	0	50	643
Total	0	61	1121	0	0	0	0	0	0	0	514	431	0	155	1	175	2458

**Alliant Engineering, Inc**

233 Park Ave Suite 300

Minneapolis, MN 55415

--TRAFFIC DATA --

CSAH-50 at I-35 East Ramp

Ref.Pt.: 85.342

data by : Alliant Inc.

TURN MOVEMENT COUNT

File Name : 352\_CSAH 50 & I-35 E Ramp

Site Code : 352

Start Date : 10/25/2017

Page No : 2

Groups Printed- Vehicles - Trucks

Start Time	CSAH 50 From North				I-35 E Ramp From East				CSAH 50 From South				I-35 E Ramp From West				Int. Total
	Other	Left	Thru	Rght	Other	Left	Thru	Rght	Other	Left	Thru	Rght	Other	Left	Thru	Rght	
05:00 PM	0	13	280	0	0	0	0	0	0	0	139	109	0	42	0	56	639
05:15 PM	0	14	276	0	0	0	0	0	0	0	146	97	0	42	0	50	625
05:30 PM	0	12	269	0	0	0	0	0	0	0	150	94	0	39	2	43	609
05:45 PM	0	23	249	0	0	0	0	0	0	0	109	74	0	33	0	71	559
Total	0	62	1074	0	0	0	0	0	0	0	544	374	0	156	2	220	2432
Grand Total	3	588	5955	0	0	0	0	0	4	0	3532	4907	0	1201	10	1584	17784
Apprch %	0	9	91	0	0	0	0	0	0	0	41.8	58.1	0	43	0.4	56.7	
Total %	0	3.3	33.5	0	0	0	0	0	0	0	19.9	27.6	0	6.8	0.1	8.9	
Vehicles	3	533	5769	0	0	0	0	0	3	0	3427	4768	0	1131	10	1545	17189
% Vehicles	100	90.6	96.9	0	0	0	0	0	75	0	97	97.2	0	94.2	100	97.5	96.7
Trucks	0	55	186	0	0	0	0	0	1	0	105	139	0	70	0	39	595
% Trucks	0	9.4	3.1	0	0	0	0	0	25	0	3	2.8	0	5.8	0	2.5	3.3

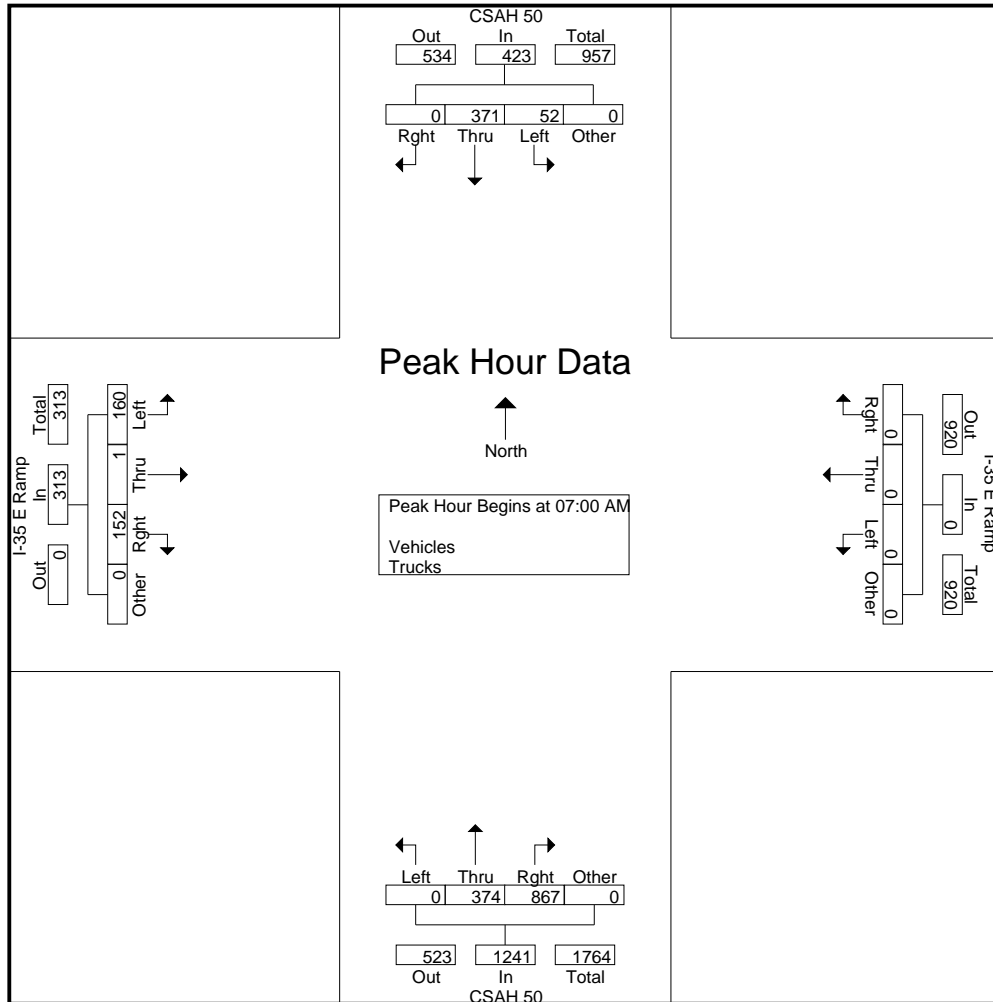
**Alliant Engineering, Inc**

233 Park Ave Suite 300  
 Minneapolis, MN 55415  
 --TRAFFIC DATA --

CSAH-50 at I-35 East Ramp  
 Ref.Pt.: 85.342  
 data by : Alliant Inc.  
 TURN MOVEMENT COUNT

File Name : 352\_CSAH 50 & I-35 E Ramp  
 Site Code : 352  
 Start Date : 10/25/2017  
 Page No : 3

Start Time	CSAH 50 From North					I-35 E Ramp From East					CSAH 50 From South					I-35 E Ramp From West					Int. Total
	Other	Left	Thru	Rght	App. Total	Other	Left	Thru	Rght	App. Total	Other	Left	Thru	Rght	App. Total	Other	Left	Thru	Rght	App. Total	
Peak Hour Analysis From 06:00 AM to 11:45 AM - Peak 1 of 1																					
Peak Hour for Entire Intersection Begins at 07:00 AM																					
07:00 AM	0	15	84	0	99	0	0	0	0	0	0	0	68	233	301	0	30	1	55	86	486
07:15 AM	0	9	80	0	89	0	0	0	0	0	0	0	108	250	358	0	36	0	27	63	510
07:30 AM	0	16	94	0	110	0	0	0	0	0	0	0	91	197	288	0	47	0	34	81	479
07:45 AM	0	12	113	0	125	0	0	0	0	0	0	0	107	187	294	0	47	0	36	83	502
Total Volume	0	52	371	0	423	0	0	0	0	0	0	0	374	867	1241	0	160	1	152	313	1977
% App. Total	0	12.3	87.7	0		0	0	0	0	0	0	0	30.1	69.9		0	51.1	0.3	48.6		
PHF	.000	.813	.821	.000	.846	.000	.000	.000	.000	.000	.000	.000	.866	.867	.867	.000	.851	.250	.691	.910	.969



**Alliant Engineering, Inc**

233 Park Ave Suite 300  
 Minneapolis, MN 55415  
 --TRAFFIC DATA --

CSAH-50 at I-35 East Ramp  
 Ref.Pt.: 85.342  
 data by : Alliant Inc.  
 TURN MOVEMENT COUNT

File Name : 352\_CSAH 50 & I-35 E Ramp  
 Site Code : 352  
 Start Date : 10/25/2017  
 Page No : 4

Start Time	CSAH 50 From North					I-35 E Ramp From East					CSAH 50 From South					I-35 E Ramp From West					Int. Total
	Other	Left	Thru	Rght	App. Total	Other	Left	Thru	Rght	App. Total	Other	Left	Thru	Rght	App. Total	Other	Left	Thru	Rght	App. Total	
Peak Hour Analysis From 12:00 PM to 05:45 PM - Peak 1 of 1																					
Peak Hour for Entire Intersection Begins at 04:30 PM																					
04:30 PM	0	21	274	0	295	0	0	0	0	0	0	0	114	106	220	0	52	0	45	97	612
04:45 PM	0	12	301	0	313	0	0	0	0	0	0	0	143	105	248	0	32	0	50	82	643
05:00 PM	0	13	280	0	293	0	0	0	0	0	0	0	139	109	248	0	42	0	56	98	639
05:15 PM	0	14	276	0	290	0	0	0	0	0	0	0	146	97	243	0	42	0	50	92	625
Total Volume	0	60	1131	0	1191	0	0	0	0	0	0	0	542	417	959	0	168	0	201	369	2519
% App. Total	0	5	95	0	0	0	0	0	0	0	0	0	56.5	43.5	0	0	45.5	0	54.5	0	0
PHF	.000	.714	.939	.000	.951	.000	.000	.000	.000	.000	.000	.000	.928	.956	.967	.000	.808	.000	.897	.941	.979

