

Alliant Engineering, Inc

233 Park Ave Suite 300

Minneapolis, MN 55415

--TRAFFIC DATA --

CSAH-50 at Jubilee Avenue

Ref.Pt.: 85.63

data by : Alliant Inc.

TURN MOVEMENT COUNT

File Name : 354_CSAH 50 & Jubilee Ave

Site Code : 354

Start Date : 10/25/2017

Page No : 1

Groups Printed- Vehicles - Trucks

Start Time	CSAH 50 From North				Jubilee Avenue From East				CSAH 50 From South				Jubilee Avenue From West				Int. Total
	Other	Left	Thru	Rght	Other	Left	Thru	Rght	Other	Left	Thru	Rght	Other	Left	Thru	Rght	
06:00 AM	1	3	25	0	0	3	0	0	0	0	84	5	0	7	1	1	130
06:15 AM	0	3	19	2	0	8	0	4	0	0	128	5	0	7	0	1	177
06:30 AM	0	3	34	1	0	5	0	12	0	5	132	14	0	11	2	0	219
06:45 AM	1	5	40	0	0	5	0	7	0	0	185	15	0	12	1	4	275
Total	2	14	118	3	0	21	0	23	0	5	529	39	0	37	4	6	801
07:00 AM	1	6	64	1	0	8	0	7	0	2	226	8	0	21	1	2	347
07:15 AM	0	5	68	5	0	7	0	7	0	5	265	20	0	9	1	1	393
07:30 AM	1	3	64	7	0	13	1	8	0	3	245	13	0	10	3	2	373
07:45 AM	1	5	80	4	0	16	0	8	0	2	224	20	0	9	2	1	372
Total	3	19	276	17	0	44	1	30	0	12	960	61	0	49	7	6	1485
08:00 AM	0	8	45	2	0	10	1	11	0	2	194	25	0	3	1	1	303
08:15 AM	0	8	57	3	0	18	0	13	0	1	137	12	0	14	4	1	268
08:30 AM	1	8	54	3	0	11	0	14	0	0	108	17	0	10	1	0	227
08:45 AM	2	5	58	2	0	16	0	5	1	1	135	21	0	13	1	1	261
Total	3	29	214	10	0	55	1	43	1	4	574	75	0	40	7	3	1059
09:00 AM	1	7	58	2	0	16	0	6	0	1	96	29	0	5	0	2	223
09:15 AM	1	5	61	4	0	15	0	8	0	0	105	16	0	7	0	2	224
*** BREAK ***																	
Total	2	12	119	6	0	31	0	14	0	1	201	45	0	12	0	4	447
*** BREAK ***																	
10:30 AM	1	9	90	0	0	20	0	9	0	0	77	21	0	5	1	2	235
10:45 AM	0	13	52	0	0	34	0	9	1	2	67	20	0	1	0	0	199
Total	1	22	142	0	0	54	0	18	1	2	144	41	0	6	1	2	434
11:00 AM	2	13	67	4	0	27	1	14	1	0	96	19	0	6	2	0	252
11:15 AM	0	16	75	2	0	29	1	10	0	2	86	35	0	4	1	1	262
11:30 AM	2	16	65	2	0	34	1	20	0	2	73	18	0	3	1	0	237
11:45 AM	4	12	72	3	0	41	2	24	0	1	87	28	0	3	2	2	281
Total	8	57	279	11	0	131	5	68	1	5	342	100	0	16	6	3	1032
12:00 PM	4	23	75	3	0	44	0	23	1	4	82	31	0	1	1	0	292
12:15 PM	2	20	69	4	0	43	0	14	0	1	93	29	0	10	1	2	288
12:30 PM	1	14	79	3	0	35	1	25	0	3	91	26	0	3	0	0	281
12:45 PM	0	21	85	2	0	43	0	25	0	0	85	35	0	3	1	0	300
Total	7	78	308	12	0	165	1	87	1	8	351	121	0	17	3	2	1161
01:00 PM	2	26	92	5	0	42	1	22	0	1	75	23	0	3	1	1	294
01:15 PM	1	11	75	3	0	39	0	21	0	2	91	22	0	5	4	1	275
*** BREAK ***																	
Total	3	37	167	8	0	81	1	43	0	3	166	45	0	8	5	2	569
*** BREAK ***																	
02:30 PM	1	14	121	3	0	42	1	14	0	2	77	26	0	4	1	1	307
02:45 PM	4	16	106	5	0	44	1	14	0	4	117	27	0	7	0	1	346
Total	5	30	227	8	0	86	2	28	0	6	194	53	0	11	1	2	653
03:00 PM	3	15	95	6	0	29	0	16	0	6	80	19	0	5	1	0	275
03:15 PM	1	17	119	5	0	44	1	20	0	2	104	22	0	5	1	2	343
03:30 PM	2	17	163	9	0	34	1	15	0	1	105	19	0	10	1	1	378
03:45 PM	1	11	125	11	0	36	4	13	0	5	119	23	0	7	1	3	359
Total	7	60	502	31	0	143	6	64	0	14	408	83	0	27	4	6	1355
04:00 PM	0	8	130	40	0	39	2	15	0	8	100	25	0	6	0	2	375
04:15 PM	0	21	196	11	0	44	0	13	0	2	110	27	0	8	0	0	432
04:30 PM	2	21	191	13	0	44	0	13	0	2	103	23	0	10	2	2	426
04:45 PM	4	22	204	11	0	49	0	16	0	2	118	26	0	5	0	2	459
Total	6	72	721	75	0	176	2	57	0	14	431	101	0	29	2	6	1692

Alliant Engineering, Inc

233 Park Ave Suite 300

Minneapolis, MN 55415

--TRAFFIC DATA --

CSAH-50 at Jubilee Avenue

Ref.Pt.: 85.63

data by : Alliant Inc.

TURN MOVEMENT COUNT

File Name : 354_CSAH 50 & Jubilee Ave

Site Code : 354

Start Date : 10/25/2017

Page No : 2

Groups Printed- Vehicles - Trucks

Start Time	CSAH 50 From North				Jubilee Avenue From East				CSAH 50 From South				Jubilee Avenue From West				Int. Total
	Other	Left	Thru	Rght	Other	Left	Thru	Rght	Other	Left	Thru	Rght	Other	Left	Thru	Rght	
05:00 PM	4	17	180	11	0	42	0	19	0	1	112	18	0	8	0	2	414
05:15 PM	1	18	186	13	0	42	1	18	0	3	106	26	0	7	2	1	424
05:30 PM	3	23	166	11	0	53	0	18	0	4	83	20	0	4	1	4	390
05:45 PM	0	22	171	10	0	45	0	22	0	4	93	31	0	6	4	3	411
Total	8	80	703	45	0	182	1	77	0	12	394	95	0	25	7	10	1639
Grand Total	55	510	3776	226	0	1169	20	552	4	86	4694	859	0	277	47	52	12327
Apprch %	1.2	11.2	82.7	4.9	0	67.1	1.1	31.7	0.1	1.5	83.2	15.2	0	73.7	12.5	13.8	
Total %	0.4	4.1	30.6	1.8	0	9.5	0.2	4.5	0	0.7	38.1	7	0	2.2	0.4	0.4	
Vehicles	55	495	3655	215	0	1158	19	542	4	76	4583	843	0	273	46	48	12012
% Vehicles	100	97.1	96.8	95.1	0	99.1	95	98.2	100	88.4	97.6	98.1	0	98.6	97.9	92.3	97.4
Trucks	0	15	121	11	0	11	1	10	0	10	111	16	0	4	1	4	315
% Trucks	0	2.9	3.2	4.9	0	0.9	5	1.8	0	11.6	2.4	1.9	0	1.4	2.1	7.7	2.6

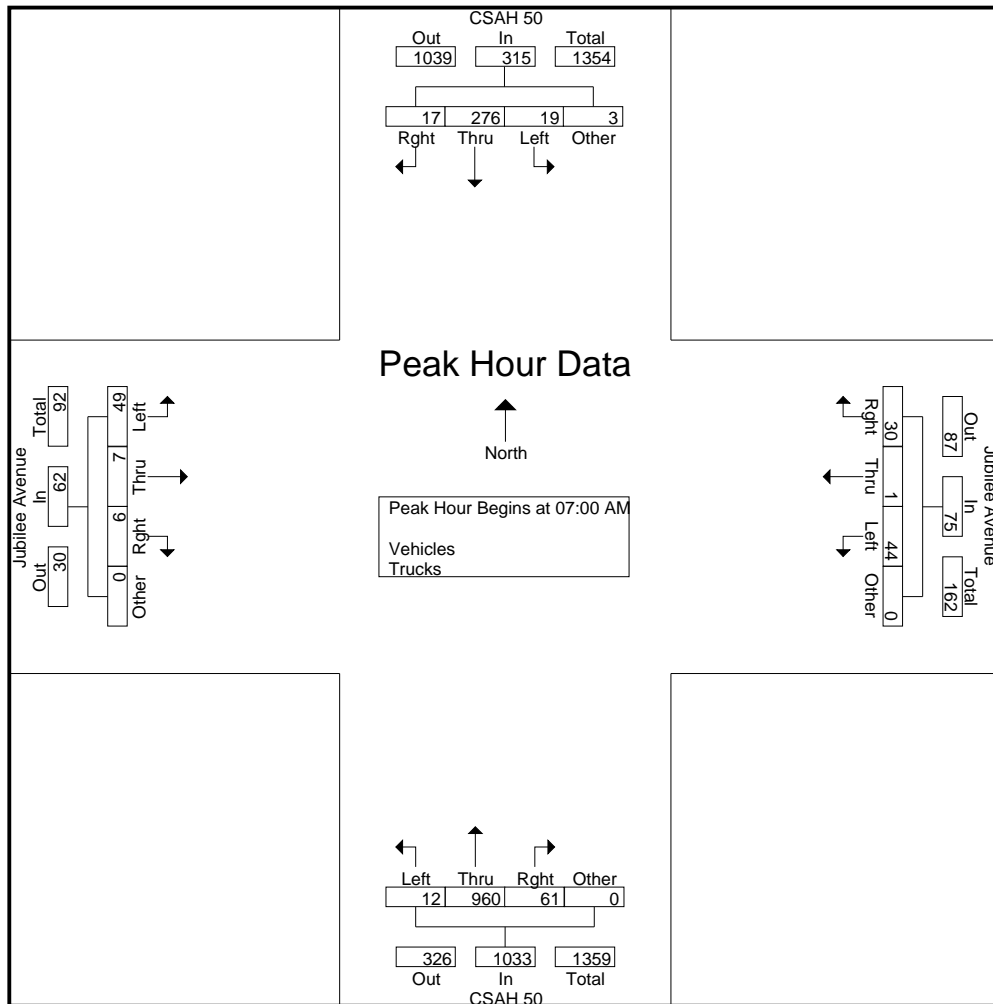
Alliant Engineering, Inc

233 Park Ave Suite 300
 Minneapolis, MN 55415
 --TRAFFIC DATA --

CSAH-50 at Jubilee Avenue
 Ref.Pt.: 85.63
 data by : Alliant Inc.
 TURN MOVEMENT COUNT

File Name : 354_CSAH 50 & Jubilee Ave
 Site Code : 354
 Start Date : 10/25/2017
 Page No : 3

Start Time	CSAH 50 From North					Jubilee Avenue From East					CSAH 50 From South					Jubilee Avenue From West					Int. Total
	Other	Left	Thru	Right	App. Total	Other	Left	Thru	Right	App. Total	Other	Left	Thru	Right	App. Total	Other	Left	Thru	Right	App. Total	
Peak Hour Analysis From 06:00 AM to 11:45 AM - Peak 1 of 1																					
Peak Hour for Entire Intersection Begins at 07:00 AM																					
07:00 AM	1	6	64	1	72	0	8	0	7	15	0	2	226	8	236	0	21	1	2	24	347
07:15 AM	0	5	68	5	78	0	7	0	7	14	0	5	265	20	290	0	9	1	1	11	393
07:30 AM	1	3	64	7	75	0	13	1	8	22	0	3	245	13	261	0	10	3	2	15	373
07:45 AM	1	5	80	4	90	0	16	0	8	24	0	2	224	20	246	0	9	2	1	12	372
Total Volume	3	19	276	17	315	0	44	1	30	75	0	12	960	61	1033	0	49	7	6	62	1485
% App. Total	1	6	87.6	5.4		0	58.7	1.3	40		0	1.2	92.9	5.9		0	79	11.3	9.7		
PHF	.750	.792	.863	.607	.875	.000	.688	.250	.938	.781	.000	.600	.906	.763	.891	.000	.583	.583	.750	.646	.945



Alliant Engineering, Inc

233 Park Ave Suite 300
 Minneapolis, MN 55415
 --TRAFFIC DATA --

CSAH-50 at Jubilee Avenue
 Ref.Pt.: 85.63
 data by : Alliant Inc.
 TURN MOVEMENT COUNT

File Name : 354_CSAH 50 & Jubilee Ave
 Site Code : 354
 Start Date : 10/25/2017
 Page No : 4

Start Time	CSAH 50 From North					Jubilee Avenue From East					CSAH 50 From South					Jubilee Avenue From West					Int. Total
	Other	Left	Thru	Rght	App. Total	Other	Left	Thru	Rght	App. Total	Other	Left	Thru	Rght	App. Total	Other	Left	Thru	Rght	App. Total	
Peak Hour Analysis From 12:00 PM to 05:45 PM - Peak 1 of 1																					
Peak Hour for Entire Intersection Begins at 04:15 PM																					
04:15 PM	0	21	196	11	228	0	44	0	13	57	0	2	110	27	139	0	8	0	0	8	432
04:30 PM	2	21	191	13	227	0	44	0	13	57	0	2	103	23	128	0	10	2	2	14	426
04:45 PM	4	22	204	11	241	0	49	0	16	65	0	2	118	26	146	0	5	0	2	7	459
05:00 PM	4	17	180	11	212	0	42	0	19	61	0	1	112	18	131	0	8	0	2	10	414
Total Volume	10	81	771	46	908	0	179	0	61	240	0	7	443	94	544	0	31	2	6	39	1731
% App. Total	1.1	8.9	84.9	5.1		0	74.6	0	25.4		0	1.3	81.4	17.3		0	79.5	5.1	15.4		
PHF	.625	.920	.945	.885	.942	.000	.913	.000	.803	.923	.000	.875	.939	.870	.932	.000	.775	.250	.750	.696	.943

