

Location: Kenrick Avenue at 175th Street/Junelle Path
 Count Date: 10/18/2022
 Counted By: CountCloud



TURNING MOVEMENT COUNT DATA

All Vehicles

Start Time	Driveway				Kenrick Ave				175th St				Kenrick Ave				Int. Total
	Southbound				Westbound				Northbound				Eastbound				
	Left	Thru	Right	Peds	Left	Thru	Right	Peds	Left	Thru	Right	Peds	Left	Thru	Right	Peds	
6:00	0	0	0	0	3	6	0	0	8	0	5	0	0	3	4	0	29
6:15	0	0	0	0	18	2	0	0	14	0	2	0	0	7	9	0	52
6:30	0	0	0	0	12	7	0	0	16	0	6	0	0	7	6	0	54
6:45	0	0	0	0	23	16	0	0	16	0	5	0	0	14	8	0	82
7:00	0	0	0	0	28	12	0	0	22	0	12	0	0	32	11	0	117
7:15	0	0	0	0	36	18	0	0	27	0	10	0	0	18	9	0	118
7:30	0	0	0	0	29	25	0	0	22	0	12	0	0	32	15	0	135
7:45	1	0	0	0	35	22	0	0	26	1	14	0	0	30	7	0	136
8:00	1	0	0	0	64	27	0	0	20	1	25	0	0	21	9	0	168
8:15	0	0	0	0	54	19	0	0	20	0	22	0	0	25	11	0	151
8:30	0	0	1	0	40	25	0	0	29	0	22	0	0	28	16	0	161
8:45	0	0	1	0	26	32	1	0	24	0	22	0	0	23	11	0	140
9:00	0	0	0	0	24	15	0	0	30	0	23	0	0	30	26	0	148
9:15	0	0	0	0	30	25	0	0	20	0	17	0	0	27	9	0	128
9:30	0	0	0	0	22	31	0	0	23	0	12	0	0	33	14	0	135
9:45	0	0	0	0	21	23	0	0	28	2	12	0	0	29	22	0	137
10:00	0	0	0	0	27	23	0	0	22	0	11	0	0	26	25	0	134
10:15	1	1	0	0	27	15	0	0	27	1	17	0	0	24	14	0	127
10:30	0	0	0	0	20	22	0	0	27	0	15	0	0	30	20	0	134
10:45	0	0	0	0	17	31	0	0	30	0	13	0	0	34	26	0	151
11:00	0	0	0	0	11	23	0	0	27	0	15	1	0	28	23	0	127
11:15	0	0	0	0	26	35	1	0	26	0	21	1	0	30	24	0	163
11:30	0	0	0	0	24	23	0	0	40	1	23	1	0	53	21	0	185
11:45	0	0	0	0	18	24	0	0	31	0	22	0	0	43	22	0	160
12:00	0	0	0	0	31	23	0	0	30	0	30	0	0	54	22	0	190
12:15	0	0	0	0	18	39	0	0	28	0	23	0	0	43	14	0	165
12:30	0	0	0	0	24	30	0	0	21	0	26	0	0	37	21	0	159
12:45	0	0	0	0	28	44	1	0	33	0	29	0	0	41	15	0	191
13:00	0	0	0	0	11	40	1	0	24	0	25	0	0	35	14	0	150
13:15	0	0	0	0	18	34	0	0	40	0	25	0	0	46	18	0	181
13:30	1	0	0	0	17	31	0	0	35	1	27	0	0	38	27	0	177
13:45	0	0	0	0	22	41	2	0	39	0	29	0	0	47	21	0	201
14:00	0	0	0	0	16	40	0	0	26	0	29	0	0	35	22	0	168
14:15	1	1	0	0	23	25	0	0	30	2	31	0	0	45	25	0	183
14:30	0	0	0	0	24	31	0	0	39	0	29	0	0	45	27	0	195
14:45	2	0	0	0	19	42	0	0	39	0	30	0	0	51	21	0	204
15:00	0	0	0	0	24	39	0	1	37	0	38	0	0	54	27	0	219
15:15	0	0	0	0	21	30	0	0	31	0	36	0	0	53	26	0	197
15:30	0	0	0	0	31	48	0	0	32	0	39	0	0	44	23	0	217
15:45	0	0	0	0	27	43	0	0	49	0	36	0	0	49	31	0	235
16:00	0	0	0	0	40	33	1	0	33	0	48	0	0	53	32	0	240
16:15	0	1	0	0	39	28	0	0	50	0	60	0	0	68	34	0	280
16:30	0	0	0	0	35	44	0	0	37	0	42	0	0	53	22	0	233
16:45	0	0	0	0	30	39	0	0	32	0	51	0	0	74	39	0	265
17:00	0	0	0	0	22	60	1	0	39	0	48	1	0	56	28	0	254
17:15	0	0	0	0	31	34	1	0	45	0	59	0	0	74	31	0	275
17:30	0	0	0	0	23	48	1	0	42	0	42	1	0	57	26	0	239
17:45	0	0	0	0	28	45	0	0	41	0	38	0	0	52	27	0	231
18:00	2	0	0	0	26	30	0	0	38	0	43	0	0	51	30	0	220
18:15	0	0	0	0	17	39	0	0	24	0	30	0	0	47	18	0	175
18:30	0	0	0	0	21	26	0	0	20	0	36	0	0	50	17	0	170
18:45	0	0	0	0	18	26	0	0	31	0	38	0	0	39	25	0	177
Total	9	3	2	0	1319	1533	10	1	1540	9	1375	5	0	2018	1045	0	8863
Cars+	9	3	2	0	1302	1502	10	0	1515	7	1356	4	0	1985	1024	0	8715
Trucks	0	0	0	0	17	31	0	1	25	2	19	1	0	33	21	0	148
% Trucks	0.0	0.0	0.0	0.0	1.3	2.0	0.0	100.0	1.6	22.2	1.4	20.0	0.0	1.6	2.0	0.0	1.7
	0.0				1.7				1.6				1.8				

Location: Kenrick Avenue at 175th Street/Junelle Path
 Count Date: 10/18/2022
 Counted By: CountCloud



TURNING MOVEMENT COUNT DATA

Trucks

Start Time	Driveway				Kenrick Ave				175th St				Kenrick Ave				Int. Total
	Southbound				Westbound				Northbound				Eastbound				
	Left	Thru	Right	Bikes	Left	Thru	Right	Bikes	Left	Thru	Right	Bikes	Left	Thru	Right	Bikes	
6:00	0	0	0	0	0	0	0	0	1	0	1	0	0	0	1	0	3
6:15	0	0	0	0	0	0	0	0	1	0	0	0	0	0	0	0	1
6:30	0	0	0	0	0	0	0	0	0	0	0	0	0	0	0	0	0
6:45	0	0	0	0	0	0	0	0	0	0	0	0	0	2	0	0	2
7:00	0	0	0	0	0	0	0	0	2	0	0	0	0	3	0	0	5
7:15	0	0	0	0	0	1	0	0	1	0	0	0	0	1	0	0	3
7:30	0	0	0	0	0	0	0	0	0	0	0	0	0	0	0	0	0
7:45	0	0	0	0	0	1	0	0	1	0	0	0	0	1	0	0	3
8:00	0	0	0	0	0	0	0	0	0	0	2	0	0	0	0	0	2
8:15	0	0	0	0	1	4	0	0	1	0	1	0	0	2	0	0	9
8:30	0	0	0	0	0	3	0	0	1	0	0	0	0	3	0	0	7
8:45	0	0	0	0	0	0	0	0	0	0	0	0	0	1	1	0	2
9:00	0	0	0	0	1	1	0	0	0	0	2	0	0	1	1	0	6
9:15	0	0	0	0	0	2	0	0	0	0	0	0	0	0	1	0	3
9:30	0	0	0	0	1	2	0	0	0	0	1	0	0	0	0	0	4
9:45	0	0	0	0	0	0	0	0	0	0	1	0	0	0	1	0	2
10:00	0	0	0	0	0	0	0	0	0	0	0	0	0	0	1	0	1
10:15	0	0	0	0	0	0	0	0	0	0	0	0	0	0	0	0	0
10:30	0	0	0	0	0	0	0	0	0	0	1	0	0	1	0	0	2
10:45	0	0	0	0	0	1	0	0	0	0	0	0	0	1	0	0	2
11:00	0	0	0	0	1	1	0	0	1	0	0	0	0	0	0	0	3
11:15	0	0	0	0	2	0	0	0	0	0	1	1	0	0	2	0	5
11:30	0	0	0	0	1	0	0	0	2	1	0	0	0	1	0	0	5
11:45	0	0	0	0	0	0	0	0	0	0	1	0	0	1	1	0	3
12:00	0	0	0	0	1	0	0	0	1	0	1	0	0	0	1	0	4
12:15	0	0	0	0	0	1	0	0	1	0	0	0	0	0	0	0	2
12:30	0	0	0	0	0	1	0	0	0	0	0	0	0	0	0	0	1
12:45	0	0	0	0	1	0	0	0	0	0	0	0	0	1	1	0	3
13:00	0	0	0	0	1	1	0	0	0	0	1	0	0	0	0	0	3
13:15	0	0	0	0	0	1	0	0	1	0	0	0	0	3	0	0	5
13:30	0	0	0	0	1	1	0	0	0	0	2	0	0	1	2	0	7
13:45	0	0	0	0	0	0	0	0	0	0	0	0	0	2	0	0	2
14:00	0	0	0	0	0	1	0	0	0	0	0	0	0	0	0	0	1
14:15	0	0	0	0	2	0	0	0	1	1	0	0	0	1	0	0	5
14:30	0	0	0	0	1	1	0	0	1	0	1	0	0	0	0	0	4
14:45	0	0	0	0	1	1	0	0	3	0	0	0	0	1	0	0	6
15:00	0	0	0	0	0	0	0	1	1	0	0	0	0	0	2	0	3
15:15	0	0	0	0	0	1	0	0	0	0	1	0	0	1	0	0	3
15:30	0	0	0	0	1	2	0	0	1	0	1	0	0	2	0	0	7
15:45	0	0	0	0	1	1	0	0	0	0	0	0	0	0	1	0	3
16:00	0	0	0	0	0	2	0	0	1	0	0	0	0	0	0	0	3
16:15	0	0	0	0	0	0	0	0	1	0	0	0	0	1	1	0	3
16:30	0	0	0	0	0	0	0	0	1	0	0	0	0	0	0	0	1
16:45	0	0	0	0	0	0	0	0	0	0	0	0	0	0	2	0	2
17:00	0	0	0	0	0	0	0	0	0	0	1	0	0	0	0	0	1
17:15	0	0	0	0	0	0	0	0	0	0	0	0	0	0	0	0	0
17:30	0	0	0	0	0	0	0	0	1	0	0	0	0	0	1	0	2
17:45	0	0	0	0	0	1	0	0	0	0	0	0	0	0	0	0	1
18:00	0	0	0	0	0	0	0	0	0	0	0	0	0	1	0	0	1
18:15	0	0	0	0	0	0	0	0	0	0	0	0	0	0	0	0	0
18:30	0	0	0	0	0	0	0	0	0	0	0	0	0	0	0	0	0
18:45	0	0	0	0	0	0	0	0	0	0	0	0	0	1	1	0	2
Total	0	0	0	0	17	31	0	1	25	2	19	1	0	33	21	0	148

Location: Kenrick Avenue at 175th Street/Junelle Path
 Count Date: 10/18/2022
 Counted By: CountCloud

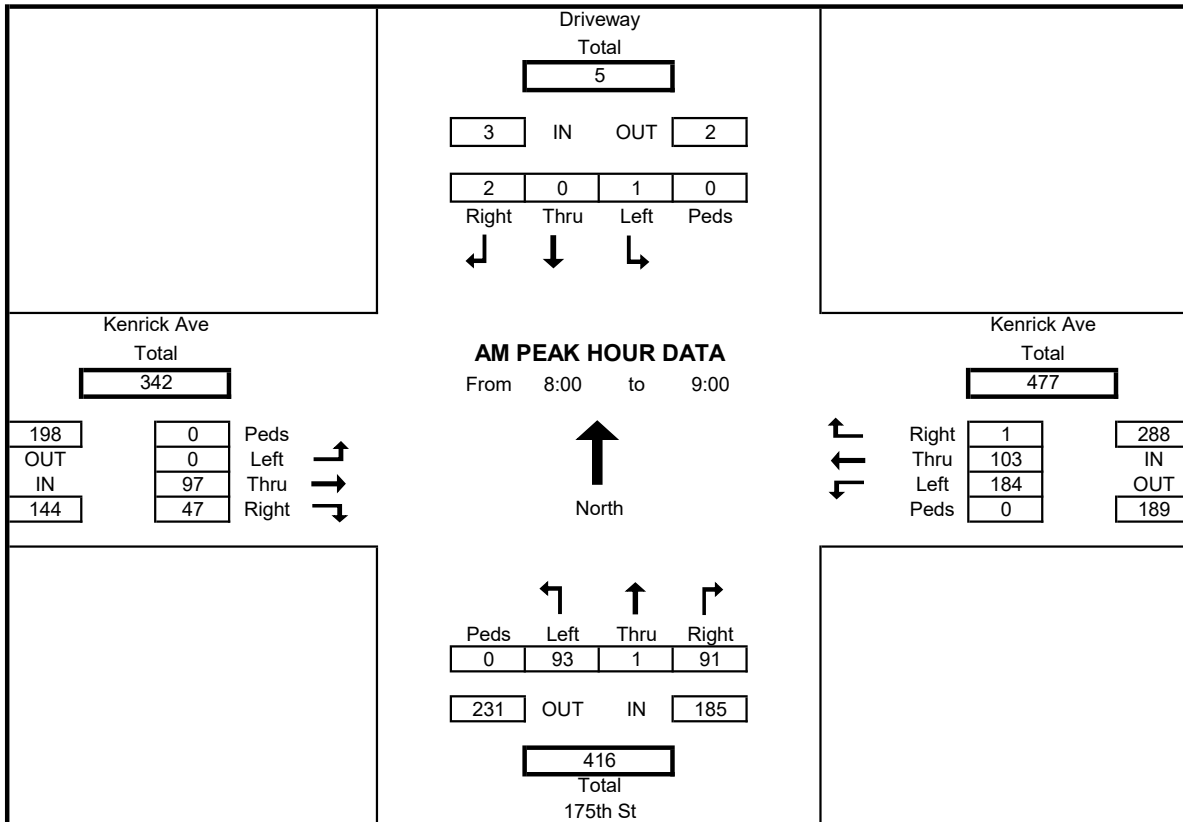


AM PEAK HOUR TURNING MOVEMENT DATA

All Vehicles

Start Time	Driveway				Kenrick Ave				175th St				Kenrick Ave				Int. Total
	Southbound				Westbound				Northbound				Eastbound				
	Left	Thru	Right	Peds	Left	Thru	Right	Peds	Left	Thru	Right	Peds	Left	Thru	Right	Peds	
8:00	1	0	0	0	64	27	0	0	20	1	25	0	0	21	9	0	168
8:15	0	0	0	0	54	19	0	0	20	0	22	0	0	25	11	0	151
8:30	0	0	1	0	40	25	0	0	29	0	22	0	0	28	16	0	161
8:45	0	0	1	0	26	32	1	0	24	0	22	0	0	23	11	0	140
Total	1	0	2	0	184	103	1	0	93	1	91	0	0	97	47	0	620
% App. Total	33.3	0.0	66.7		63.9	35.8	0.3		50.3	0.5	49.2		0.0	67.4	32.6		
PHF	0.250	0.000	0.500	0.000	0.719	0.805	0.250	0.000	0.802	0.250	0.910	0.000	0.000	0.866	0.734	0.000	0.923

% Trucks	0.0	0.0	0.0	0.0	0.5	6.8	0.0	0.0	2.2	0.0	3.3	0.0	0.0	6.2	2.1	0.0	3.2
	0.0				2.8				2.7				4.9				



Location: Kenrick Avenue at 175th Street/Junelle Path
 Count Date: 10/18/2022
 Counted By: CountCloud



PM PEAK HOUR TURNING MOVEMENT DATA

All Vehicles

Start Time	Driveway				Kenrick Ave				175th St				Kenrick Ave				Int. Total
	Southbound				Westbound				Northbound				Eastbound				
	Left	Thru	Right	Peds	Left	Thru	Right	Peds	Left	Thru	Right	Peds	Left	Thru	Right	Peds	
16:45	0	0	0	0	30	39	0	0	32	0	51	0	0	74	39	0	265
17:00	0	0	0	0	22	60	1	0	39	0	48	1	0	56	28	0	254
17:15	0	0	0	0	31	34	1	0	45	0	59	0	0	74	31	0	275
17:30	0	0	0	0	23	48	1	0	42	0	42	1	0	57	26	0	239
Total	0	0	0	0	106	181	3	0	158	0	200	2	0	261	124	0	1033
% App. Total	0.0	0.0	0.0		36.6	62.4	1.0		44.1	0.0	55.9		0.0	67.8	32.2		
PHF	0.000	0.000	0.000	0.000	0.855	0.754	0.750	0.000	0.878	0.000	0.847	0.500	0.000	0.882	0.795	0.000	0.939

% Trucks	Driveway				Kenrick Ave				175th St				Kenrick Ave				Total
	Left	Thru	Right	Peds	Left	Thru	Right	Peds	Left	Thru	Right	Peds	Left	Thru	Right	Peds	
	0.0	0.0	0.0	0.0	0.0	0.0	0.0	0.0	0.6	0.0	0.5	0.0	0.0	0.0	2.4	0.0	0.5
	0.0				0.0				0.6				0.8				

