



# MINNESOTA DEPT OF TRANSPORTATION

## TRAFFIC DATA COLLECTION - METRO

Location: I 35 AT CRYSTAL LAKE RD EAST File Name : I 35 AT CRYSTAL LAKE RD EAST RAMP 2007  
 Ref.Pt.: 087+OO.823 Site Code : 00000000  
 JAMAR# 634 DR Start Date : 6/6/2007  
 TURN MOVEMENT COUNT Page No : 1

### Groups Printed- Unshifted

Start Time	GRAND AVE Southbound				CRYSTAL LAKE RD EAST Westbound				I 35 Northbound				CRYSTAL LAKE RD EAST Eastbound				Int. Total
	Left	Thru	Right	Peds	Left	Thru	Right	Peds	Left	Thru	Right	Peds	Left	Thru	Right	Peds	
06:00	1	0	2	0	0	11	2	0	24	0	3	0	0	2	0	0	45
06:15	1	0	1	0	0	14	3	0	35	0	2	0	7	6	0	0	69
06:30	1	0	4	0	0	27	12	0	44	0	3	0	5	10	0	0	106
06:45	1	0	3	0	0	44	11	0	43	3	5	0	13	9	0	0	132
Total	4	0	10	0	0	96	28	0	146	3	13	0	25	27	0	0	352
07:00	1	0	2	0	0	28	17	0	35	7	6	0	14	12	0	0	122
07:15	2	0	1	0	0	43	9	0	59	12	12	0	9	16	0	0	163
07:30	1	0	6	0	0	38	21	0	63	17	11	0	11	15	0	0	183
07:45	2	0	9	0	0	41	15	0	74	12	11	0	8	13	0	0	185
Total	6	0	18	0	0	150	62	0	231	48	40	0	42	56	0	0	653
08:00	1	0	2	0	0	31	5	0	51	3	8	0	5	23	0	0	129
08:15	2	0	1	0	0	35	7	0	65	1	3	0	5	9	0	0	128
08:30	0	0	5	0	0	26	3	0	46	2	2	0	7	10	0	0	101
08:45	2	0	0	0	0	33	4	0	56	3	4	0	7	12	0	0	121
Total	5	0	8	0	0	125	19	0	218	9	17	0	24	54	0	0	479
*** BREAK ***																	
15:00	2	0	7	0	0	34	1	0	60	2	5	0	2	25	0	0	138
15:15	6	0	3	0	0	32	7	0	62	6	8	0	5	35	0	0	164
15:30	8	0	8	0	0	32	6	0	64	1	3	0	3	39	0	0	164
15:45	1	0	3	0	0	27	3	0	64	3	5	0	3	35	0	0	144
Total	17	0	21	0	0	125	17	0	250	12	21	0	13	134	0	0	610
16:00	2	0	6	0	0	36	8	0	66	8	7	0	9	63	0	0	205
16:15	7	0	10	0	0	33	2	0	67	6	7	0	2	38	0	0	172
16:30	6	0	11	0	0	31	5	0	78	2	7	0	3	51	0	0	194
16:45	5	0	10	0	0	39	2	0	107	5	6	0	4	50	0	0	228
Total	20	0	37	0	0	139	17	0	318	21	27	0	18	202	0	0	799
17:00	13	0	10	0	0	45	5	0	79	5	14	0	4	63	0	0	238
17:15	6	0	17	0	0	39	6	0	82	4	6	0	6	50	0	0	216
17:30	6	0	11	0	0	36	8	0	98	5	13	0	3	47	0	0	227
17:45	5	0	10	0	0	38	2	0	70	4	8	0	5	36	0	0	178
Total	30	0	48	0	0	158	21	0	329	18	41	0	18	196	0	0	859
Grand Total	82	0	142	0	0	793	164	0	1492	111	159	0	140	669	0	0	3752
Apprch %	36.6	0	63.4	0	0	82.9	17.1	0	84.7	6.3	9	0	17.3	82.7	0	0	
Total %	2.2	0	3.8	0	0	21.1	4.4	0	39.8	3	4.2	0	3.7	17.8	0	0	

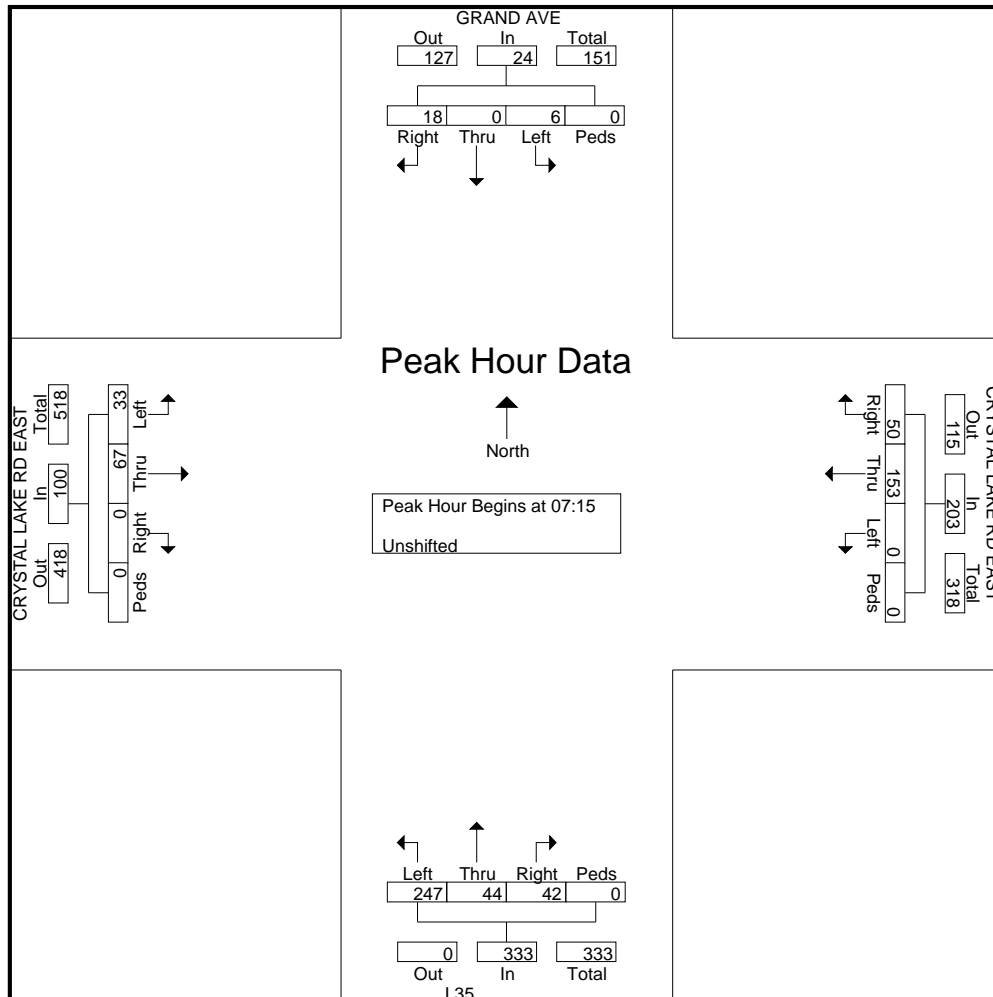


# MINNESOTA DEPT OF TRANSPORTATION

## TRAFFIC DATA COLLECTION - METRO

Location: I 35 AT CRYSTAL LAKE RD EAST File Name : I 35 AT CRYSTAL LAKE RD EAST RAMP 2007  
 Ref.Pt.: 087+OO.823 Site Code : 00000000  
 JAMAR# 634 DR Start Date : 6/6/2007  
 TURN MOVEMENT COUNT Page No : 2

Start Time	GRAND AVE Southbound					CRYSTAL LAKE RD EAST Westbound					I 35 Northbound					CRYSTAL LAKE RD EAST Eastbound					Int. Total
	Left	Thru	Right	Peds	App. Total	Left	Thru	Right	Peds	App. Total	Left	Thru	Right	Peds	App. Total	Left	Thru	Right	Peds	App. Total	
<b>Peak Hour Analysis From 06:00 to 08:45 - Peak 1 of 1</b>																					
Peak Hour for Entire Intersection Begins at 07:15																					
07:15	2	0	1	0	3	0	43	9	0	52	59	12	12	0	83	9	16	0	0	25	163
07:30	1	0	6	0	7	0	38	21	0	59	63	17	11	0	91	11	15	0	0	26	183
07:45	2	0	9	0	11	0	41	15	0	56	74	12	11	0	97	8	13	0	0	21	185
08:00	1	0	2	0	3	0	31	5	0	36	51	3	8	0	62	5	23	0	0	28	129
Total Volume	6	0	18	0	24	0	153	50	0	203	247	44	42	0	333	33	67	0	0	100	660
% App. Total	25	0	75	0		0	75.4	24.6	0		74.2	13.2	12.6	0		33	67	0	0		
PHF	.750	.000	.500	.000	.545	.000	.890	.595	.000	.860	.834	.647	.875	.000	.858	.750	.728	.000	.000	.893	.892





# MINNESOTA DEPT OF TRANSPORTATION

## TRAFFIC DATA COLLECTION - METRO

Location: I 35 AT CRYSTAL LAKE RD EAST File Name : I 35 AT CRYSTAL LAKE RD EAST RAMP 2007  
 Ref.Pt.: 087+OO.823 Site Code : 00000000  
 JAMAR# 634 DR Start Date : 6/6/2007  
 TURN MOVEMENT COUNT Page No : 3

Start Time	GRAND AVE Southbound					CRYSTAL LAKE RD EAST Westbound					I 35 Northbound					CRYSTAL LAKE RD EAST Eastbound					Int. Total
	Left	Thru	Right	Peds	App. Total	Left	Thru	Right	Peds	App. Total	Left	Thru	Right	Peds	App. Total	Left	Thru	Right	Peds	App. Total	
<b>Peak Hour Analysis From 15:00 to 17:45 - Peak 1 of 1</b>																					
Peak Hour for Entire Intersection Begins at 16:45																					
16:45	5	0	10	0	15	0	39	2	0	41	107	5	6	0	118	4	50	0	0	54	228
17:00	13	0	10	0	23	0	45	5	0	50	79	5	14	0	98	4	63	0	0	67	238
17:15	6	0	17	0	23	0	39	6	0	45	82	4	6	0	92	6	50	0	0	56	216
17:30	6	0	11	0	17	0	36	8	0	44	98	5	13	0	116	3	47	0	0	50	227
Total Volume	30	0	48	0	78	0	159	21	0	180	366	19	39	0	424	17	210	0	0	227	909
% App. Total	38.5	0	61.5	0		0	88.3	11.7	0		86.3	4.5	9.2	0		7.5	92.5	0	0		
PHF	.577	.000	.706	.000	.848	.000	.883	.656	.000	.900	.855	.950	.696	.000	.898	.708	.833	.000	.000	.847	.955

