



MINNESOTA DEPT OF TRANSPORTATION

TRAFFIC DATA COLLECTION - METRO

I-35E (SB) at Co Rd E , west ramps
 Ref.Pt.: 115.254
 video CL
 TURN MOVEMENT COUNT

File Name : I-35E at CoRdE West Ramps 2014
 Site Code :
 Start Date : 2/4/2014
 Page No : 1

Groups Printed- Cars +

Start Time	ramp from I-35E SB Southbound				Co.Rd.E Westbound				ramp to I-35E SB Northbound				Co.Rd.E Eastbound				Int. Total
	Right	Thru	Left	Peds	Right	Thru	Left	Peds	Right	Thru	Left	Peds	Right	Thru	Left	Peds	
06:00	10	0	31	0	0	18	18	0	0	0	0	0	30	22	0	0	129
06:15	10	0	15	0	0	8	15	0	0	0	0	0	21	16	0	0	85
06:30	21	0	42	0	0	37	42	0	0	0	0	0	80	43	0	0	265
06:45	21	0	66	0	0	65	32	0	0	0	0	0	69	40	0	0	293
Total	62	0	154	0	0	128	107	0	0	0	0	0	200	121	0	0	772
07:00	22	0	61	0	0	65	37	0	0	0	0	0	87	48	0	0	320
07:15	24	0	68	0	0	67	35	0	0	0	0	0	84	73	0	0	351
07:30	38	1	74	0	0	88	39	0	0	0	0	0	78	88	0	0	406
07:45	40	0	86	0	0	107	36	0	0	0	0	0	64	82	0	0	415
Total	124	1	289	0	0	327	147	0	0	0	0	0	313	291	0	0	1492
08:00	21	0	75	0	0	121	46	0	0	0	0	0	55	58	0	0	376
08:15	25	0	37	0	0	110	48	0	0	0	0	0	51	45	0	0	316
08:30	21	0	46	0	0	101	40	0	0	0	0	0	55	62	0	0	325
08:45	28	0	50	0	0	112	61	0	0	0	0	0	59	55	0	0	365
Total	95	0	208	0	0	444	195	0	0	0	0	0	220	220	0	0	1382
*****BREAK*****																	
15:00	36	0	32	0	0	184	63	0	0	0	0	0	70	120	0	0	505
15:15	35	0	29	0	0	183	83	0	0	0	0	0	66	107	0	0	503
15:30	35	0	36	0	0	201	87	0	0	0	0	0	89	137	0	0	585
15:45	40	1	41	0	0	191	93	0	0	0	0	0	65	132	0	0	563
Total	146	1	138	0	0	759	326	0	0	0	0	0	290	496	0	0	2156
16:00	30	0	29	0	0	191	81	0	0	0	0	0	81	138	0	0	550
16:15	43	0	38	0	0	200	89	0	0	0	0	0	78	166	0	0	614
16:30	45	1	28	0	0	223	127	0	0	0	0	0	85	138	0	0	647
16:45	47	0	36	0	0	210	105	0	0	0	0	0	82	154	0	0	634
Total	165	1	131	0	0	824	402	0	0	0	0	0	326	596	0	0	2445
17:00	39	0	37	0	0	211	120	0	0	0	0	0	84	137	0	0	628
17:15	51	0	37	0	0	248	95	0	0	0	0	0	58	166	0	0	655
17:30	35	0	43	0	0	195	79	0	0	0	0	0	88	148	0	0	588
17:45	35	0	49	0	0	204	61	0	0	0	0	0	88	146	0	0	583
Total	160	0	166	0	0	858	355	0	0	0	0	0	318	597	0	0	2454
Grand Total	752	3	1086	0	0	3340	1532	0	0	0	0	0	1667	2321	0	0	10701
Apprch %	40.8	0.2	59	0	0	68.6	31.4	0	0	0	0	0	41.8	58.2	0	0	
Total %	7	0	10.1	0	0	31.2	14.3	0	0	0	0	0	15.6	21.7	0	0	



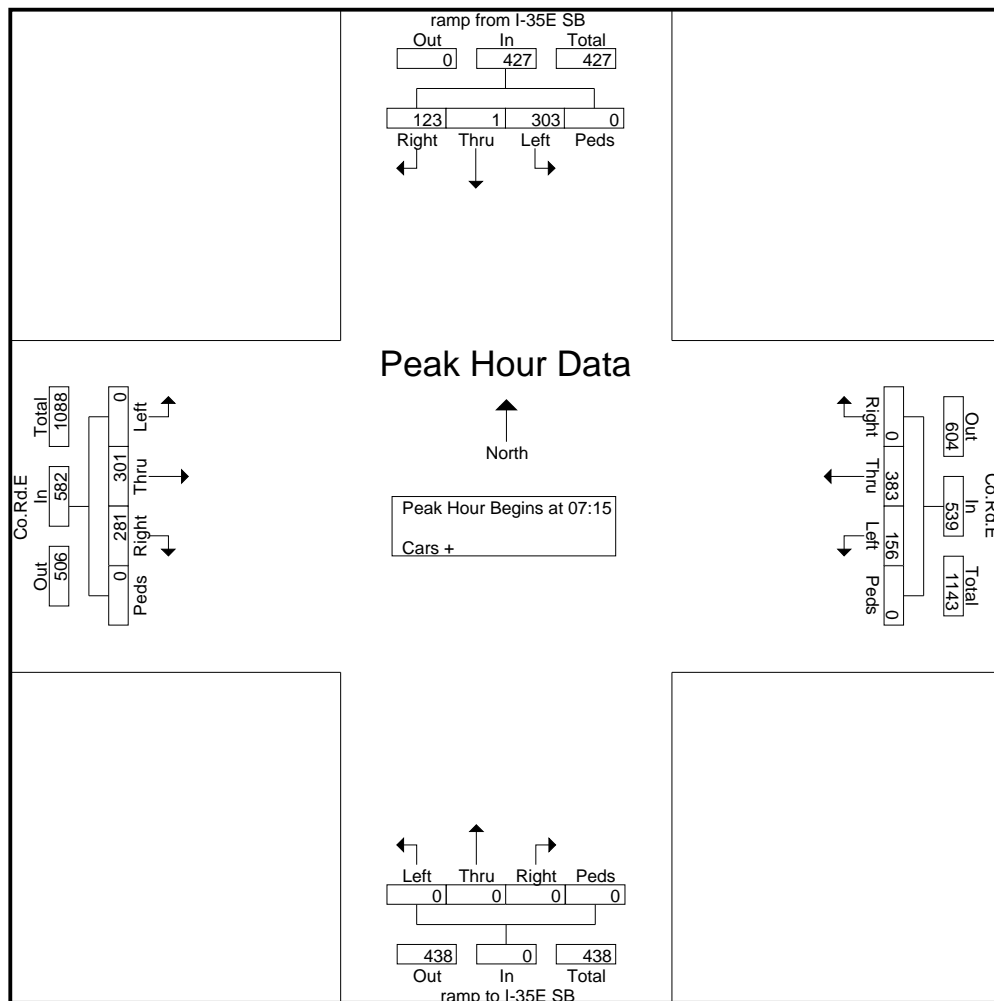
MINNESOTA DEPT OF TRANSPORTATION

TRAFFIC DATA COLLECTION - METRO

I-35E (SB) at Co Rd E , west ramps
 Ref.Pt.: 115.254
 video CL
 TURN MOVEMENT COUNT

File Name : I-35E at CoRdE West Ramps 2014
 Site Code :
 Start Date : 2/4/2014
 Page No : 2

Start Time	ramp from I-35E SB Southbound					Co.Rd.E Westbound					ramp to I-35E SB Northbound					Co.Rd.E Eastbound					Int. Total
	Right	Thru	Left	Peds	App. Total	Right	Thru	Left	Peds	App. Total	Right	Thru	Left	Peds	App. Total	Right	Thru	Left	Peds	App. Total	
Peak Hour Analysis From 06:00 to 08:45 - Peak 1 of 1																					
Peak Hour for Entire Intersection Begins at 07:15																					
07:15	24	0	68	0	92	0	67	35	0	102	0	0	0	0	0	84	73	0	0	157	351
07:30	38	1	74	0	113	0	88	39	0	127	0	0	0	0	0	78	88	0	0	166	406
07:45	40	0	86	0	126	0	107	36	0	143	0	0	0	0	0	64	82	0	0	146	415
08:00	21	0	75	0	96	0	121	46	0	167	0	0	0	0	0	55	58	0	0	113	376
Total Volume	123	1	303	0	427	0	383	156	0	539	0	0	0	0	0	281	301	0	0	582	1548
% App. Total	28.8	0.2	71.0	0		0	71.1	28.9	0		0	0	0	0	0	48.3	51.7	0	0		
PHF	.769	.250	.881	.000	.847	.000	.791	.848	.000	.807	.000	.000	.000	.000	.000	.836	.855	.000	.000	.877	.933





MINNESOTA DEPT OF TRANSPORTATION

TRAFFIC DATA COLLECTION - METRO

I-35E (SB) at Co Rd E , west ramps
 Ref.Pt.: 115.254
 video CL
 TURN MOVEMENT COUNT

File Name : I-35E at CoRdE West Ramps 2014
 Site Code :
 Start Date : 2/4/2014
 Page No : 3

Start Time	ramp from I-35E SB Southbound					Co.Rd.E Westbound					ramp to I-35E SB Northbound					Co.Rd.E Eastbound					Int. Total
	Right	Thru	Left	Peds	App. Total	Right	Thru	Left	Peds	App. Total	Right	Thru	Left	Peds	App. Total	Right	Thru	Left	Peds	App. Total	
Peak Hour Analysis From 15:00 to 17:45 - Peak 1 of 1																					
Peak Hour for Entire Intersection Begins at 16:30																					
16:30	45	1	28	0	74	0	223	127	0	350	0	0	0	0	0	85	138	0	0	223	647
16:45	47	0	36	0	83	0	210	105	0	315	0	0	0	0	0	82	154	0	0	236	634
17:00	39	0	37	0	76	0	211	120	0	331	0	0	0	0	0	84	137	0	0	221	628
17:15	51	0	37	0	88	0	248	95	0	343	0	0	0	0	0	58	166	0	0	224	655
Total Volume	182	1	138	0	321	0	892	447	0	1339	0	0	0	0	0	309	595	0	0	904	2564
% App. Total	56.7	0.3	43	0		0	66.6	33.4	0		0	0	0	0		34.2	65.8	0	0		
PHF	.892	.250	.932	.000	.912	.000	.899	.880	.000	.956	.000	.000	.000	.000	.000	.909	.896	.000	.000	.958	.979

