



701 Xenia Ave S, Suite 300
 Minneapolis, MN 55416

Tamarack Rd & Bielenberg Dr
 6am to 7pm
 vehicles, heavy trucks, peds, bikes
 Woodbury, MN

File Name : Tamarack Rd & Bielenberg Dr
 Site Code : 5
 Start Date : 1/9/2024
 Page No : 1

Groups Printed- vehicles & peds - heavy trucks & bikes

Start Time	Bielenberg Dr From North					Tamarack Rd From East					Bielenberg Dr From South					Tamarack Rd From West					Int. Total
	Right	Thru	Left	bikes	App. Total	Right	Thru	Left	bikes	App. Total	Right	Thru	Left	bikes	App. Total	Right	Thru	Left	bikes	App. Total	
06:00 AM	8	3	1	0	12	0	49	7	1	57	0	3	11	0	14	10	18	1	0	29	112
06:15 AM	9	4	1	1	15	0	55	5	1	61	5	6	11	0	22	7	13	8	0	28	126
06:30 AM	8	2	0	0	10	2	72	6	0	80	6	3	16	0	25	7	30	15	0	52	167
06:45 AM	7	4	2	0	13	0	62	8	0	70	6	6	8	0	20	12	54	20	0	86	189
Total	32	13	4	1	50	2	238	26	2	268	17	18	46	0	81	36	115	44	0	195	594
07:00 AM	9	7	1	0	17	2	98	10	0	110	6	7	13	0	26	17	50	27	0	94	247
07:15 AM	25	4	3	0	32	4	111	18	0	133	7	19	21	0	47	14	50	42	0	106	318
07:30 AM	19	12	1	0	32	8	130	16	0	154	12	18	16	0	46	19	94	42	0	155	387
07:45 AM	22	14	4	0	40	13	90	16	0	119	19	40	31	0	90	16	114	69	0	199	448
Total	75	37	9	0	121	27	429	60	0	516	44	84	81	0	209	66	308	180	0	554	1400
08:00 AM	32	12	0	0	44	7	102	15	0	124	10	25	15	0	50	21	93	59	0	173	391
08:15 AM	22	14	4	0	40	2	121	23	0	146	14	26	18	0	58	12	91	54	0	157	401
08:30 AM	25	12	4	0	41	5	74	14	0	93	16	18	24	0	58	20	88	46	0	154	346
08:45 AM	28	16	10	0	54	5	91	17	0	113	26	20	21	0	67	22	111	52	0	185	419
Total	107	54	18	0	179	19	388	69	0	476	66	89	78	0	233	75	383	211	0	669	1557
09:00 AM	31	12	10	0	53	1	86	29	0	116	27	14	9	0	50	18	86	44	0	148	367
09:15 AM	17	14	6	0	37	6	95	23	0	124	31	12	22	0	65	18	83	23	0	124	350
09:30 AM	27	13	3	0	43	5	99	18	0	122	22	14	16	0	52	19	105	27	0	151	368
09:45 AM	27	11	6	0	44	5	98	13	0	116	35	21	19	0	75	22	88	41	0	151	386
Total	102	50	25	0	177	17	378	83	0	478	115	61	66	0	242	77	362	135	0	574	1471
10:00 AM	26	5	4	0	35	4	119	38	0	161	29	18	27	0	74	17	83	27	0	127	397
10:15 AM	30	15	7	0	52	6	87	16	0	109	34	22	27	0	83	16	119	37	0	172	416
10:30 AM	34	12	10	0	56	9	103	27	0	139	41	16	34	0	91	21	86	40	0	147	433
10:45 AM	26	18	9	0	53	10	115	38	0	163	52	19	34	0	105	44	113	33	0	190	511
Total	116	50	30	0	196	29	424	119	0	572	156	75	122	0	353	98	401	137	0	636	1757
11:00 AM	42	34	7	0	83	7	102	37	0	146	33	21	23	0	77	30	85	26	0	141	447
11:15 AM	34	25	9	0	68	11	103	38	0	152	46	24	21	0	91	25	104	44	0	173	484
11:30 AM	43	22	6	0	71	6	135	57	0	198	31	20	26	0	77	20	119	45	0	184	530
11:45 AM	47	40	7	0	94	9	139	56	0	204	54	30	27	0	111	31	97	36	0	164	573
Total	166	121	29	0	316	33	479	188	0	700	164	95	97	0	356	106	405	151	0	662	2034
12:00 PM	51	44	17	0	112	5	137	40	0	182	47	32	37	0	116	28	113	23	0	164	574
12:15 PM	36	18	7	0	61	10	116	72	0	198	43	34	32	0	109	33	111	28	0	172	540
12:30 PM	35	27	3	0	65	9	118	50	0	177	40	30	23	0	93	30	138	50	0	218	553
12:45 PM	39	22	9	0	70	7	135	48	0	190	56	33	29	0	118	34	123	39	0	196	574
Total	161	111	36	0	308	31	506	210	0	747	186	129	121	0	436	125	485	140	0	750	2241
01:00 PM	39	26	12	0	77	3	131	42	1	177	54	22	24	0	100	30	105	24	0	159	513
01:15 PM	33	31	12	0	76	1	112	53	0	166	52	28	19	0	99	33	118	41	0	192	533
01:30 PM	47	24	13	0	84	11	125	54	0	190	45	26	27	0	98	29	112	30	0	171	543
01:45 PM	59	23	9	0	91	6	111	35	0	152	54	22	36	0	112	30	109	35	0	174	529
Total	178	104	46	0	328	21	479	184	1	685	205	98	106	0	409	122	444	130	0	696	2118
02:00 PM	46	25	7	0	78	10	144	45	0	199	41	12	30	0	83	28	102	25	0	155	515
02:15 PM	42	16	15	0	73	6	154	36	0	196	49	15	24	0	88	37	137	29	0	203	560
02:30 PM	46	23	13	0	82	6	135	41	0	182	49	30	28	0	107	33	140	36	0	209	580
02:45 PM	40	14	5	0	59	6	137	47	0	190	47	22	19	0	88	32	156	56	0	244	581
Total	174	78	40	0	292	28	570	169	0	767	186	79	101	0	366	130	535	146	0	811	2236
03:00 PM	59	26	13	0	98	6	129	53	0	188	58	20	26	0	104	29	128	38	0	195	585
03:15 PM	47	28	6	0	81	11	158	40	0	209	67	19	22	0	108	44	189	32	0	265	663
03:30 PM	55	32	6	1	94	4	132	50	0	186	56	38	22	0	116	50	153	44	0	247	643
03:45 PM	48	29	10	0	87	9	119	51	1	180	69	31	39	0	139	60	167	61	0	288	694
Total	209	115	35	1	360	30	538	194	1	763	250	108	109	0	467	183	637	175	0	995	2585



701 Xenia Ave S, Suite 300
 Minneapolis, MN 55416

Tamarack Rd & Bielenberg Dr
 6am to 7pm
 vehicles, heavy trucks, peds, bikes
 Woodbury, MN

File Name : Tamarack Rd & Bielenberg Dr
 Site Code : 5
 Start Date : 1/9/2024
 Page No : 2

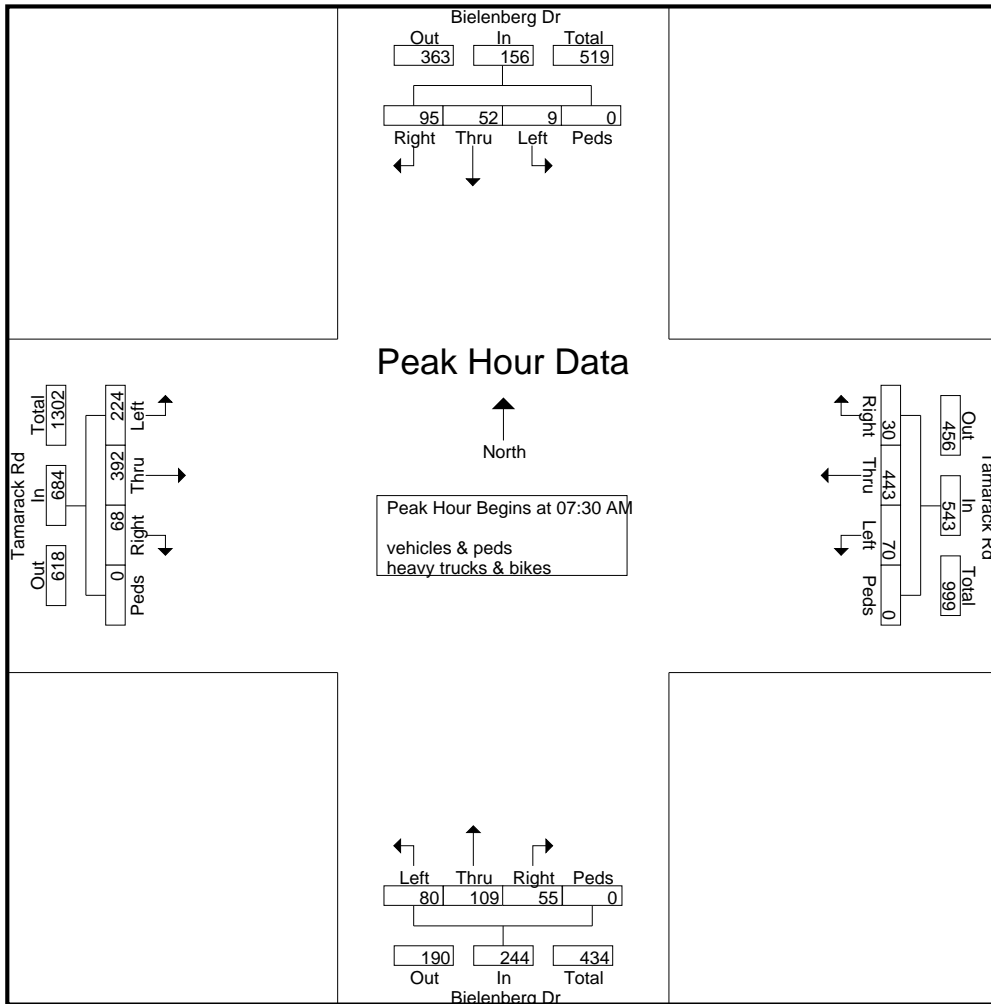
Groups Printed- vehicles & peds - heavy trucks & bikes

Start Time	Bielenberg Dr From North					Tamarack Rd From East					Bielenberg Dr From South					Tamarack Rd From West					Int. Total
	Right	Thru	Left	bikes	App. Total	Right	Thru	Left	bikes	App. Total	Right	Thru	Left	bikes	App. Total	Right	Thru	Left	bikes	App. Total	
04:00 PM	93	57	11	0	161	9	162	46	0	217	63	29	32	0	124	51	200	27	0	278	780
04:15 PM	59	30	9	0	98	4	174	58	0	236	77	20	23	0	120	42	186	40	0	268	722
04:30 PM	83	36	13	0	132	1	165	67	0	233	63	24	30	0	117	41	169	32	0	242	724
04:45 PM	70	24	14	0	108	10	159	55	0	224	53	29	37	0	119	47	184	40	0	271	722
Total	305	147	47	0	499	24	660	226	0	910	256	102	122	0	480	181	739	139	0	1059	2948
05:00 PM	75	37	7	0	119	5	172	52	0	229	63	31	44	0	138	48	154	29	0	231	717
05:15 PM	47	26	8	0	81	9	160	60	0	229	56	16	34	0	106	42	209	41	0	292	708
05:30 PM	29	24	3	0	56	3	133	42	0	178	61	19	25	0	105	42	162	34	0	238	577
05:45 PM	47	14	4	0	65	6	141	48	0	195	43	14	23	0	80	44	136	19	0	199	539
Total	198	101	22	0	321	23	606	202	0	831	223	80	126	0	429	176	661	123	0	960	2541
06:00 PM	32	12	7	0	51	2	133	44	0	179	48	17	32	0	97	46	111	19	0	176	503
06:15 PM	28	20	4	0	52	6	117	45	0	168	42	20	32	0	94	38	114	22	0	174	488
06:30 PM	16	11	5	0	32	4	116	39	0	159	31	17	19	0	67	24	75	10	0	109	367
06:45 PM	19	13	6	0	38	3	105	35	0	143	30	9	20	0	59	26	79	10	0	115	355
Total	95	56	22	0	173	15	471	163	0	649	151	63	103	0	317	134	379	61	0	574	1713
Grand Total	1918	1037	363	2	3320	299	6166	1893	4	8362	2019	1081	1278	0	4378	1509	5854	1772	0	9135	25195
Apprch %	57.8	31.2	10.9	0.1		3.6	73.7	22.6	0		46.1	24.7	29.2	0		16.5	64.1	19.4	0		
Total %	7.6	4.1	1.4	0	13.2	1.2	24.5	7.5	0	33.2	8	4.3	5.1	0	17.4	6	23.2	7	0	36.3	
vehicles & peds	1914	1036	363	2	3315	299	6150	1892	4	8345	2017	1079	1276	0	4372	1505	5845	1769	0	9119	25151
% vehicles & peds	99.8	99.9	100	100	99.8	100	99.7	99.9	100	99.8	99.9	99.8	99.8	0	99.9	99.7	99.8	99.8	0	99.8	99.8
heavy trucks & bikes	4	1	0	0	5	0	16	1	0	17	2	2	2	0	6	4	9	3	0	16	44
% heavy trucks & bikes	0.2	0.1	0	0	0.2	0	0.3	0.1	0	0.2	0.1	0.2	0.2	0	0.1	0.3	0.2	0.2	0	0.2	0.2

Tamarack Rd & Bielenberg Dr
6am to 7pm
vehicles, heavy trucks, peds, bikes
Woodbury, MN

File Name : Tamarack Rd & Bielenberg Dr
Site Code : 5
Start Date : 1/9/2024
Page No : 3

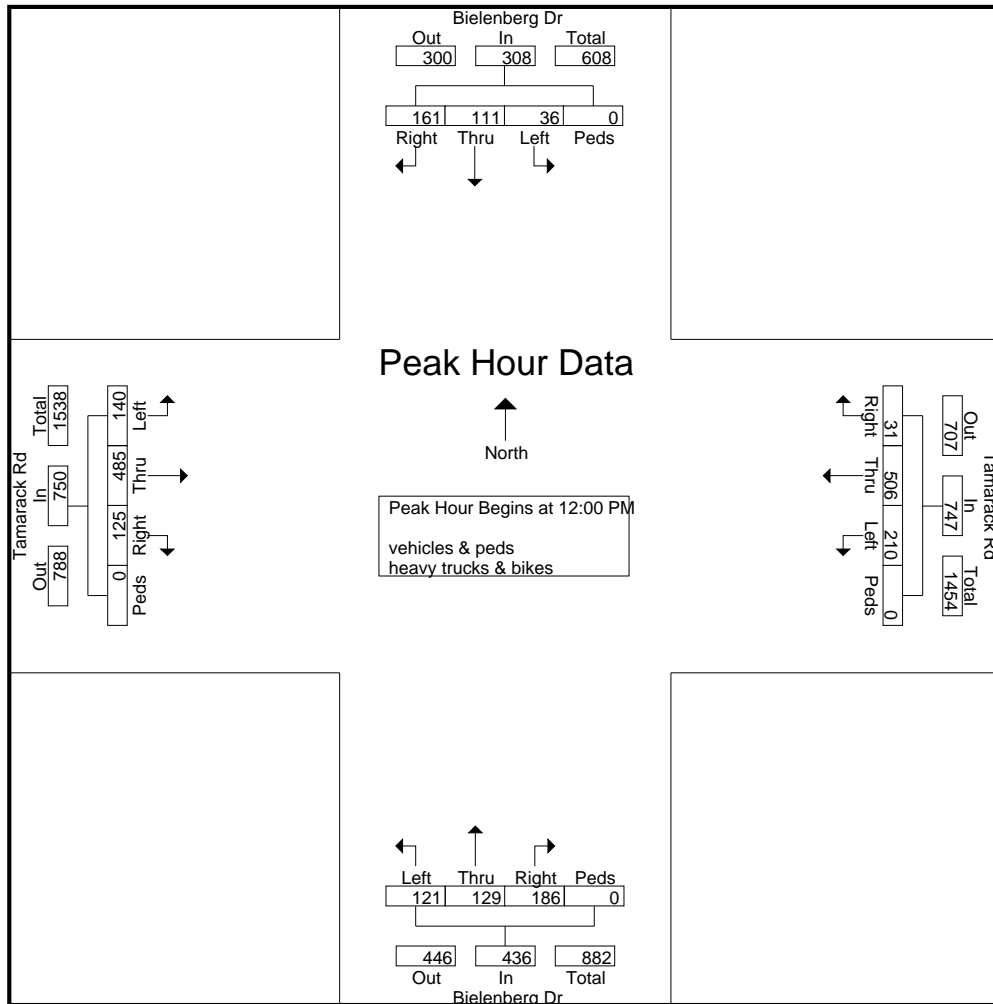
Start Time	Bielenberg Dr From North					Tamarack Rd From East					Bielenberg Dr From South					Tamarack Rd From West					Int. Total
	Rig ht	Thr u	Left	bike s	App. Total	Rig ht	Thr u	Left	bike s	App. Total	Rig ht	Thr u	Left	bike s	App. Total	Rig ht	Thr u	Left	bike s	App. Total	
Peak Hour Analysis From 06:00 AM to 09:45 AM - Peak 1 of 1																					
Peak Hour for Entire Intersection Begins at 07:30 AM																					
07:30 AM	19	12	1	0	32	8	130	16	0	154	12	18	16	0	46	19	94	42	0	155	387
07:45 AM	22	14	4	0	40	13	90	16	0	119	19	40	31	0	90	16	114	69	0	199	448
08:00 AM	32	12	0	0	44	7	102	15	0	124	10	25	15	0	50	21	93	59	0	173	391
08:15 AM	22	14	4	0	40	2	121	23	0	146	14	26	18	0	58	12	91	54	0	157	401
Total Volume	95	52	9	0	156	30	443	70	0	543	55	109	80	0	244	68	392	224	0	684	1627
% App. Total	60.9	33.3	5.8	0		5.5	81.6	12.9	0		22.5	44.7	32.8	0		9.9	57.3	32.7	0		
PHF	.742	.929	.563	.000	.886	.577	.852	.761	.000	.881	.724	.681	.645	.000	.678	.810	.860	.812	.000	.859	.908



Tamarack Rd & Bielenberg Dr
6am to 7pm
vehicles, heavy trucks, peds, bikes
Woodbury, MN

File Name : Tamarack Rd & Bielenberg Dr
Site Code : 5
Start Date : 1/9/2024
Page No : 4

Start Time	Bielenberg Dr From North					Tamarack Rd From East					Bielenberg Dr From South					Tamarack Rd From West					Int. Total
	Rig ht	Thr u	Left	bike s	App. Total	Rig ht	Thr u	Left	bike s	App. Total	Right	Thr u	Left	bikes	App. Total	Right	Thr u	Left	bikes	App. Total	
Peak Hour Analysis From 10:00 AM to 01:45 PM - Peak 1 of 1																					
Peak Hour for Entire Intersection Begins at 12:00 PM																					
12:00 PM	51	44	17	0	112	5	137	40	0	182	47	32	37	0	116	28	113	23	0	164	574
12:15 PM	36	18	7	0	61	10	116	72	0	198	43	34	32	0	109	33	111	28	0	172	540
12:30 PM	35	27	3	0	65	9	118	50	0	177	40	30	23	0	93	30	138	50	0	218	553
12:45 PM	39	22	9	0	70	7	135	48	0	190	56	33	29	0	118	34	123	39	0	196	574
Total Volume	161	111	36	0	308	31	506	210	0	747	186	129	121	0	436	125	485	140	0	750	2241
% App. Total	52.3	36	11.7	0		4.1	67.7	28.1	0		42.7	29.6	27.8	0		16.7	64.7	18.7	0		
PHF	.789	.631	.529	.000	.688	.775	.923	.729	.000	.943	.830	.949	.818	.000	.924	.919	.879	.700	.000	.860	.976



Tamarack Rd & Bielenberg Dr
6am to 7pm
vehicles, heavy trucks, peds, bikes
Woodbury, MN

File Name : Tamarack Rd & Bielenberg Dr
Site Code : 5
Start Date : 1/9/2024
Page No : 5

Start Time	Bielenberg Dr From North					Tamarack Rd From East					Bielenberg Dr From South					Tamarack Rd From West					Int. Total
	Rig ht	Thr u	Left	bike s	App. Total	Rig ht	Thr u	Left	bike s	App. Total	Right	Thr u	Left	bikes	App. Total	Right	Thr u	Left	bikes	App. Total	
Peak Hour Analysis From 02:00 PM to 06:45 PM - Peak 1 of 1																					
Peak Hour for Entire Intersection Begins at 04:00 PM																					
04:00 PM	93	57	11	0	161	9	162	46	0	217	63	29	32	0	124	51	200	27	0	278	780
04:15 PM	59	30	9	0	98	4	174	58	0	236	77	20	23	0	120	42	186	40	0	268	722
04:30 PM	83	36	13	0	132	1	165	67	0	233	63	24	30	0	117	41	169	32	0	242	724
04:45 PM	70	24	14	0	108	10	159	55	0	224	53	29	37	0	119	47	184	40	0	271	722
Total Volume	305	147	47	0	499	24	660	226	0	910	256	102	122	0	480	181	739	139	0	1059	2948
% App. Total	61.1	29.5	9.4	0		2.6	72.5	24.8	0		53.3	21.2	25.4	0		17.1	69.8	13.1	0		
PHF	.820	.645	.839	.000	.775	.600	.948	.843	.000	.964	.831	.879	.824	.000	.968	.887	.924	.869	.000	.952	.945

