

TRAFFIC DATA INC.

3268 Xenwood Ave S
St Louis Park, MN 55416

TH-13 at Washburn Ave BURNSVILLE

Ref.Pt.: 093.960

Data by: Traffic Data Inc

TURN MOVEMENT COUNT

File Name : TH-13 at Washburn Ave 2009

Site Code : 01829117

Start Date : 5/5/2009

Page No : 1

Groups Printed- Unshifted

Start Time	Washburn Ave Southbound				TH-13 Westbound				Washburn Ave Northbound				TH-13 Eastbound				Int. Total
	Left	Thru	Right	Peds	Left	Thru	Right	Peds	Left	Thru	Right	Peds	Left	Thru	Right	Peds	
06:00	7	1	0	0	7	188	23	0	6	5	5	0	2	187	5	0	436
06:15	14	2	0	0	2	283	15	0	12	6	7	0	3	230	7	0	581
06:30	27	3	0	0	6	338	18	0	7	8	9	0	4	303	8	0	731
06:45	17	1	4	0	3	321	11	0	11	7	7	0	3	346	10	0	741
Total	65	7	4	0	18	1130	67	0	36	26	28	0	12	1066	30	0	2489
07:00	3	1	3	0	7	345	17	0	13	5	8	0	5	427	10	0	844
07:15	9	5	5	0	6	366	15	0	16	6	10	0	8	444	13	0	903
07:30	8	5	9	0	9	362	20	0	10	7	9	0	16	466	10	0	931
07:45	10	1	18	0	14	376	12	0	11	10	10	0	9	442	14	0	927
Total	30	12	35	0	36	1449	64	0	50	28	37	0	38	1779	47	0	3605
08:00	7	1	9	0	13	319	8	0	10	6	10	0	17	374	7	0	781
08:15	11	3	11	0	10	298	17	0	13	3	16	0	10	374	17	0	783
08:30	7	9	15	0	12	276	12	0	10	5	13	1	13	289	12	0	674
08:45	4	3	10	0	10	282	13	0	9	5	14	0	13	305	13	0	681
Total	29	16	45	0	45	1175	50	0	42	19	53	1	53	1342	49	0	2919
*** BREAK ***																	
11:00	17	7	28	0	19	208	26	0	5	7	20	0	28	181	12	0	558
11:15	32	11	25	0	23	201	27	0	10	4	12	3	24	225	11	0	608
11:30	24	10	38	0	19	252	13	0	12	4	19	0	23	259	17	0	690
11:45	15	4	24	0	21	239	21	0	12	13	11	0	31	252	17	0	660
Total	88	32	115	0	82	900	87	0	39	28	62	3	106	917	57	0	2516
12:00	13	9	35	0	21	228	21	0	8	11	13	0	26	237	18	0	640
12:15	20	14	33	0	19	237	18	0	11	10	25	0	25	247	22	0	681
12:30	22	6	29	0	28	268	20	0	13	8	23	0	21	255	21	0	714
12:45	20	12	29	0	12	257	18	0	13	7	21	0	22	233	14	0	658
Total	75	41	126	0	80	990	77	0	45	36	82	0	94	972	75	0	2693
*** BREAK ***																	
15:00	27	6	36	0	15	325	11	0	12	11	13	0	29	314	19	0	818
15:15	18	7	35	0	23	369	13	0	12	8	16	0	19	392	15	0	927
15:30	15	9	29	0	21	412	22	0	10	7	11	0	27	425	21	0	1009
15:45	21	8	37	0	23	433	15	0	8	5	17	0	18	452	22	0	1059
Total	81	30	137	0	82	1539	61	0	42	31	57	0	93	1583	77	0	3813
16:00	24	9	35	0	21	396	41	3	10	4	16	0	22	378	15	0	974
16:15	32	10	40	0	24	472	28	0	4	2	17	0	24	489	16	0	1158
16:30	33	10	44	0	13	488	13	0	2	4	12	0	18	474	15	0	1126
16:45	21	8	33	0	32	500	9	0	8	8	19	0	12	477	27	0	1154
Total	110	37	152	0	90	1856	91	3	24	18	64	0	76	1818	73	0	4412
17:00	25	6	42	0	31	496	6	0	7	3	20	0	20	468	14	0	1138
17:15	11	12	28	0	37	512	7	0	7	10	13	0	21	487	16	0	1161
17:30	10	12	24	0	36	526	7	0	11	10	11	0	17	455	27	0	1146
17:45	4	11	26	0	53	457	9	0	8	8	11	1	12	400	17	0	1017
Total	50	41	120	0	157	1991	29	0	33	31	55	1	70	1810	74	0	4462
Grand Total	528	216	734	0	590	11030	526	3	311	217	438	5	542	11287	482	0	26909
Apprch %	35.7	14.6	49.7	0	4.9	90.8	4.3	0	32	22.3	45.1	0.5	4.4	91.7	3.9	0	
Total %	2	0.8	2.7	0	2.2	41	2	0	1.2	0.8	1.6	0	2	41.9	1.8	0	

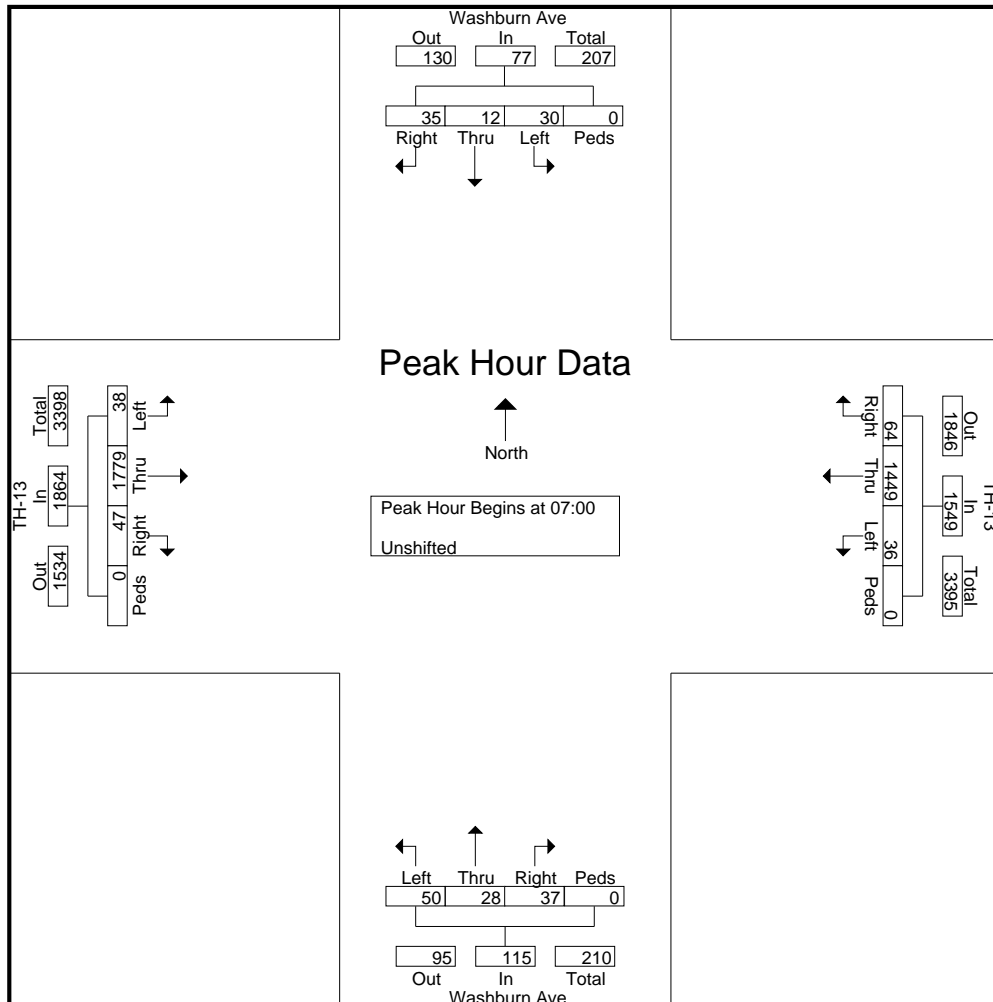
TRAFFIC DATA INC.

3268 Xenwood Ave S
St Louis Park, MN 55416

TH-13 at Washburn Ave BURNSVILLE
Ref.Pt.: 093.960
Data by: Traffic Data Inc
TURN MOVEMENT COUNT

File Name : TH-13 at Washburn Ave 2009
Site Code : 01829117
Start Date : 5/5/2009
Page No : 2

Start Time	Washburn Ave Southbound					TH-13 Westbound					Washburn Ave Northbound					TH-13 Eastbound					Int. Total
	Left	Thru	Right	Peds	App. Total	Left	Thru	Right	Peds	App. Total	Left	Thru	Right	Peds	App. Total	Left	Thru	Right	Peds	App. Total	
Peak Hour Analysis From 06:00 to 08:45 - Peak 1 of 1																					
Peak Hour for Entire Intersection Begins at 07:00																					
07:00	3	1	3	0	7	7	345	17	0	369	13	5	8	0	26	5	427	10	0	442	844
07:15	9	5	5	0	19	6	366	15	0	387	16	6	10	0	32	8	444	13	0	465	903
07:30	8	5	9	0	22	9	362	20	0	391	10	7	9	0	26	16	466	10	0	492	931
07:45	10	1	18	0	29	14	376	12	0	402	11	10	10	0	31	9	442	14	0	465	927
Total Volume	30	12	35	0	77	36	1449	64	0	1549	50	28	37	0	115	38	1779	47	0	1864	3605
% App. Total	39	15.6	45.5	0		2.3	93.5	4.1	0		43.5	24.3	32.2	0		2	95.4	2.5	0		
PHF	.750	.600	.486	.000	.664	.643	.963	.800	.000	.963	.781	.700	.925	.000	.898	.594	.954	.839	.000	.947	.968



TRAFFIC DATA INC.

3268 Xenwood Ave S
St Louis Park, MN 55416

TH-13 at Washburn Ave BURNSVILLE
Ref.Pt.: 093.960
Data by: Traffic Data Inc
TURN MOVEMENT COUNT

File Name : TH-13 at Washburn Ave 2009
Site Code : 01829117
Start Date : 5/5/2009
Page No : 3

Start Time	Washburn Ave Southbound					TH-13 Westbound					Washburn Ave Northbound					TH-13 Eastbound					Int. Total
	Left	Thru	Right	Peds	App. Total	Left	Thru	Right	Peds	App. Total	Left	Thru	Right	Peds	App. Total	Left	Thru	Right	Peds	App. Total	

Peak Hour Analysis From 15:00 to 17:45 - Peak 1 of 1
Peak Hour for Entire Intersection Begins at 16:45

16:45	21	8	33	0	62	32	500	9	0	541	8	8	19	0	35	12	477	27	0	516	1154
17:00	25	6	42	0	73	31	496	6	0	533	7	3	20	0	30	20	468	14	0	502	1138
17:15	11	12	28	0	51	37	512	7	0	556	7	10	13	0	30	21	487	16	0	524	1161
17:30	10	12	24	0	46	36	526	7	0	569	11	10	11	0	32	17	455	27	0	499	1146
Total Volume	67	38	127	0	232	136	2034	29	0	2199	33	31	63	0	127	70	1887	84	0	2041	4599
% App. Total	28.9	16.4	54.7	0		6.2	92.5	1.3	0		26	24.4	49.6	0		3.4	92.5	4.1	0		
PHF	.670	.792	.756	.000	.795	.919	.967	.806	.000	.966	.750	.775	.788	.000	.907	.833	.969	.778	.000	.974	.990

