

Alliant Engineering

Minneapolis, MN 55415

--TRAFFIC DATA --

TH-149 at Northwest Pkwy

File Name : 109 - TH 149 & Blue Gentian

Site Code : 109

BY: Alliant Eng.

Start Date : 11/18/2014

TURN MOVEMENT COUNT

Page No : 1

Groups Printed- Cars - Trucks

Start Time	TH 149 Southbound				Northwest Pkwy Westbound				TH 149 Northbound				Blue Gentian Rd Eastbound				Int. Total
	Left	Thru	Rght	Bikes	Left	Thru	Rght	Bikes	Left	Thru	Rght	Bikes	Left	Thru	Rght	Bikes	
06:00	10	104	23	0	1	1	4	0	0	56	1	0	2	2	1	0	205
06:15	23	135	37	0	0	0	1	0	2	71	2	0	4	1	1	0	277
06:30	26	134	46	0	0	1	3	0	0	91	1	0	5	2	2	0	311
06:45	43	185	85	0	0	1	3	0	3	95	2	0	6	3	3	0	429
Total	102	558	191	0	1	3	11	0	5	313	6	0	17	8	7	0	1222
07:00	30	161	62	0	0	2	5	0	1	134	1	0	5	4	1	0	406
07:15	39	194	61	0	1	1	7	0	2	128	1	0	6	3	3	0	446
07:30	45	240	65	0	0	2	7	0	5	165	1	0	10	3	2	0	545
07:45	55	244	68	0	1	1	12	0	3	142	0	0	7	7	5	0	545
Total	169	839	256	0	2	6	31	0	11	569	3	0	28	17	11	0	1942
08:00	49	215	65	0	1	5	13	0	4	126	4	0	6	13	3	0	504
08:15	29	162	44	0	0	2	8	0	3	109	2	0	7	5	3	0	374
08:30	25	150	37	0	2	2	0	0	2	91	2	0	11	3	3	0	328
08:45	19	146	47	0	1	0	5	0	2	81	1	0	8	5	5	0	320
Total	122	673	193	0	4	9	26	0	11	407	9	0	32	26	14	0	1526
09:00	12	125	19	0	0	2	5	0	1	101	2	0	7	1	2	0	277
09:15	11	129	21	0	1	2	4	0	3	105	1	0	16	0	3	0	296
*** BREAK ***																	
Total	23	254	40	0	1	4	9	0	4	206	3	0	23	1	5	0	573
*** BREAK ***																	
10:30	3	66	15	0	1	0	2	0	2	92	0	0	10	1	4	0	196
10:45	12	60	17	0	2	1	3	0	5	73	1	0	8	0	8	0	190
Total	15	126	32	0	3	1	5	0	7	165	1	0	18	1	12	0	386
11:00	5	51	19	0	2	0	7	0	1	98	0	0	18	0	10	0	211
11:15	1	69	14	0	2	2	13	0	1	88	0	0	22	1	9	0	222
11:30	2	72	14	0	1	5	6	0	1	104	1	0	18	1	9	0	234
11:45	10	71	13	0	3	4	10	0	9	103	0	0	21	1	10	0	255
Total	18	263	60	0	8	11	36	0	12	393	1	0	79	3	38	0	922
12:00	5	76	19	0	3	2	16	0	3	87	2	0	12	4	11	0	240
12:15	9	84	22	0	3	4	13	0	5	105	5	0	17	2	5	0	274
12:30	6	88	33	0	1	2	5	0	7	87	1	0	20	6	8	0	264
12:45	9	80	15	0	0	2	10	0	1	69	1	0	17	4	4	0	212
Total	29	328	89	0	7	10	44	0	16	348	9	0	66	16	28	0	990
13:00	11	69	12	0	1	1	7	0	2	83	2	0	12	4	8	0	212
13:15	6	86	19	0	2	1	4	0	2	73	2	0	15	3	6	0	219
*** BREAK ***																	
Total	17	155	31	0	3	2	11	0	4	156	4	0	27	7	14	0	431
*** BREAK ***																	
14:30	1	88	14	0	2	3	30	0	2	160	1	0	29	2	0	0	332
14:45	5	94	10	0	0	1	18	0	3	134	1	0	16	1	7	0	290
Total	6	182	24	0	2	4	48	0	5	294	2	0	45	3	7	0	622
15:00	6	90	23	0	0	2	55	0	1	149	1	0	34	0	7	0	368
15:15	7	105	21	0	0	1	41	0	2	146	1	0	32	0	6	0	362
15:30	6	104	13	0	2	5	45	0	1	211	0	0	84	4	3	0	478
15:45	5	98	6	0	2	2	25	0	0	175	1	0	38	3	4	0	359
Total	24	397	63	0	4	10	166	0	4	681	3	0	188	7	20	0	1567
16:00	3	89	6	0	1	4	31	0	3	216	2	0	73	1	8	0	437
16:15	4	113	10	0	2	3	50	0	0	206	0	0	41	0	3	0	432
16:30	3	105	19	0	4	3	67	0	3	251	0	0	70	3	8	0	536

Alliant Engineering

Minneapolis, MN 55415

--TRAFFIC DATA --

TH-149 at Northwest Pkwy

File Name : 109 - TH 149 & Blue Gentian

Site Code : 109

BY: Alliant Eng.

Start Date : 11/18/2014

TURN MOVEMENT COUNT

Page No : 2

Groups Printed- Cars - Trucks

Start Time	TH 149 Southbound				Northwest Pkwy Westbound				TH 149 Northbound				Blue Gentian Rd Eastbound				Int. Total
	Left	Thru	Rght	Bikes	Left	Thru	Rght	Bikes	Left	Thru	Rght	Bikes	Left	Thru	Rght	Bikes	
16:45	0	145	6	0	0	0	32	0	1	245	0	0	44	0	5	0	478
Total	10	452	41	0	7	10	180	0	7	918	2	0	228	4	24	0	1883
17:00	6	112	11	0	1	3	39	0	1	218	0	0	86	1	9	0	487
17:15	3	146	9	0	1	2	27	0	0	195	0	0	39	5	6	0	433
17:30	2	122	2	0	0	3	30	0	1	203	0	0	50	1	1	0	415
17:45	4	87	4	0	0	2	16	0	1	158	1	0	28	0	6	0	307
Total	15	467	26	0	2	10	112	0	3	774	1	0	203	7	22	0	1642
Grand Total	550	4694	1046	0	44	80	679	0	89	5224	44	0	954	100	202	0	13706
Apprch %	8.7	74.6	16.6	0	5.5	10	84.6	0	1.7	97.5	0.8	0	76	8	16.1	0	
Total %	4	34.2	7.6	0	0.3	0.6	5	0	0.6	38.1	0.3	0	7	0.7	1.5	0	
Cars	546	4325	1002	0	40	69	676	0	79	4788	42	0	929	87	173	0	12756
% Cars	99.3	92.1	95.8	0	90.9	86.2	99.6	0	88.8	91.7	95.5	0	97.4	87	85.6	0	93.1
Trucks	4	369	44	0	4	11	3	0	10	436	2	0	25	13	29	0	950
% Trucks	0.7	7.9	4.2	0	9.1	13.8	0.4	0	11.2	8.3	4.5	0	2.6	13	14.4	0	6.9

Alliant Engineering

Minneapolis, MN 55415

--TRAFFIC DATA --

TH-149 at Northwest Pkwy

File Name : 109 - TH 149 & Blue Gentian

Site Code : 109

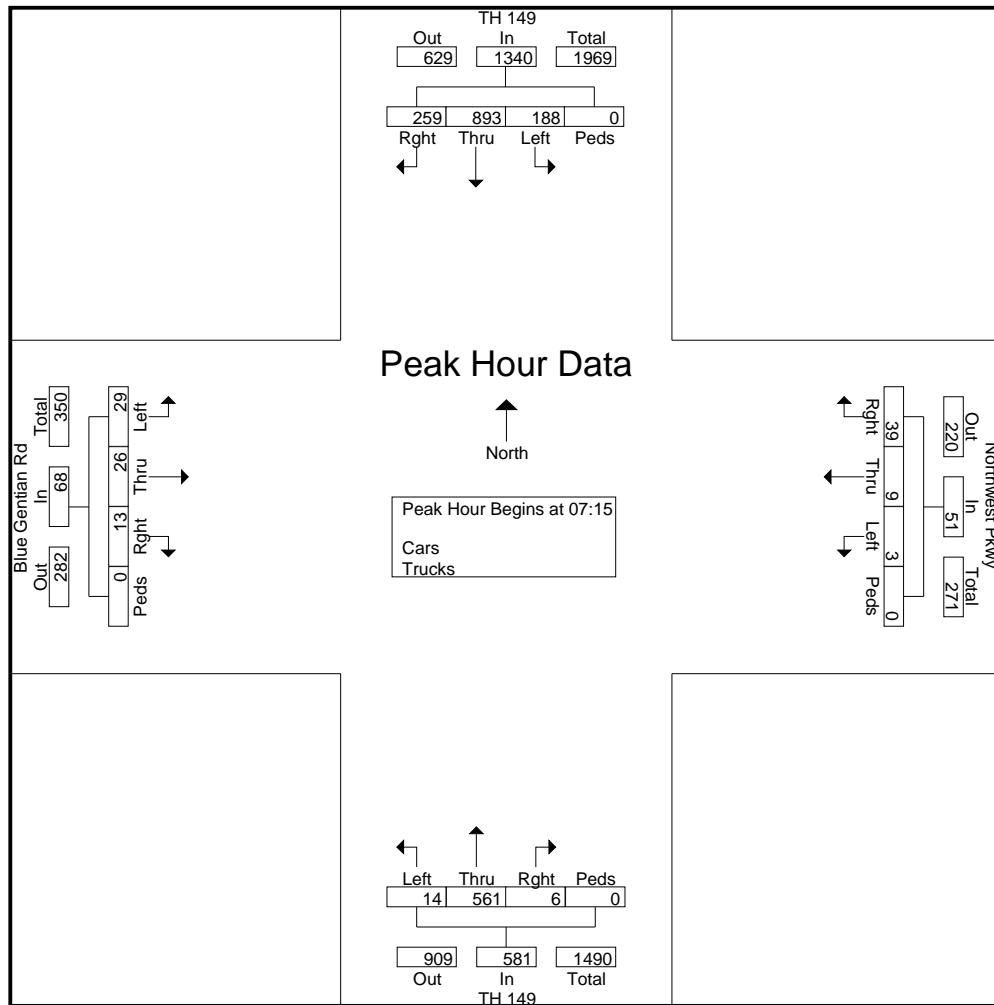
BY: Alliant Eng.

Start Date : 11/18/2014

TURN MOVEMENT COUNT

Page No : 3

Start Time	TH 149 Southbound					Northwest Pkwy Westbound					TH 149 Northbound					Blue Gentian Rd Eastbound					Int. Total
	Left	Thru	Right	Bikes	App. Total	Left	Thru	Right	Bikes	App. Total	Left	Thru	Right	Bikes	App. Total	Left	Thru	Right	Bikes	App. Total	
Peak Hour Analysis From 06:00 to 11:45 - Peak 1 of 1																					
Peak Hour for Entire Intersection Begins at 07:15																					
07:15	39	194	61	0	294	1	1	7	0	9	2	128	1	0	131	6	3	3	0	12	446
07:30	45	240	65	0	350	0	2	7	0	9	5	165	1	0	171	10	3	2	0	15	545
07:45	55	244	68	0	367	1	1	12	0	14	3	142	0	0	145	7	7	5	0	19	545
08:00	49	215	65	0	329	1	5	13	0	19	4	126	4	0	134	6	13	3	0	22	504
Total Volume	188	893	259	0	1340	3	9	39	0	51	14	561	6	0	581	29	26	13	0	68	2040
% App. Total	14	66.6	19.3	0		5.9	17.6	76.5	0		2.4	96.6	1	0		42.6	38.2	19.1	0		
PHF	.855	.915	.952	.000	.913	.750	.450	.750	.000	.671	.700	.850	.375	.000	.849	.725	.500	.650	.000	.773	.936



Alliant Engineering

Minneapolis, MN 55415

--TRAFFIC DATA --

TH-149 at Northwest Pkwy

File Name : 109 - TH 149 & Blue Gentian

Site Code : 109

BY: Alliant Eng.

Start Date : 11/18/2014

TURN MOVEMENT COUNT

Page No : 4

Start Time	TH 149 Southbound					Northwest Pkwy Westbound					TH 149 Northbound					Blue Gentian Rd Eastbound					Int. Total
	Left	Thru	Rght	Bikes	App. Total	Left	Thru	Rght	Bikes	App. Total	Left	Thru	Rght	Bikes	App. Total	Left	Thru	Rght	Bikes	App. Total	
Peak Hour Analysis From 12:00 to 17:45 - Peak 1 of 1																					
Peak Hour for Entire Intersection Begins at 16:30																					
16:30	3	105	19	0	127	4	3	67	0	74	3	251	0	0	254	70	3	8	0	81	536
16:45	0	145	6	0	151	0	0	32	0	32	1	245	0	0	246	44	0	5	0	49	478
17:00	6	112	11	0	129	1	3	39	0	43	1	218	0	0	219	86	1	9	0	96	487
17:15	3	146	9	0	158	1	2	27	0	30	0	195	0	0	195	39	5	6	0	50	433
Total Volume	12	508	45	0	565	6	8	165	0	179	5	909	0	0	914	239	9	28	0	276	1934
% App. Total	2.1	89.9	8	0		3.4	4.5	92.2	0		0.5	99.5	0	0		86.6	3.3	10.1	0		
PHF	.500	.870	.592	.000	.894	.375	.667	.616	.000	.605	.417	.905	.000	.000	.900	.695	.450	.778	.000	.719	.902

