

TRAFFIC DATA INC.

3268 Xenwood Ave S
St Louis Park, MN 55416

CSAH-17 / Marshall Rd at Vierling Drive
N of TH-169 SHAKOPEE
Data by TDI
TURN MOVEMENT COUNT

File Name : 10512021 CR 17 & Vierling Dr
Site Code : 10512021
Start Date : 3/15/2012
Page No : 1

Groups Printed- Cars - Heavy Vehicles

Start Time	CSAH-17 / Marshall Road Southbound				Vierling Drive Westbound				CSAH-17 / Marshall Road Northbound				Vierling Drive Eastbound				Int. Total
	Left	Thru	Right	Bikes	Left	Thru	Right	Bikes	Left	Thru	Right	Bikes	Left	Thru	Right	Bikes	
06:00	2	27	6	0	3	4	4	0	18	26	5	0	4	4	48	0	151
06:15	2	45	10	0	20	9	6	0	13	39	7	0	7	13	34	0	205
06:30	8	54	8	0	15	5	6	0	31	48	6	0	10	11	57	0	259
06:45	4	49	7	0	10	7	5	0	39	65	14	0	10	9	52	0	271
Total	16	175	31	0	48	25	21	0	101	178	32	0	31	37	191	0	886
07:00	8	63	8	0	16	19	15	2	46	101	12	0	17	13	47	0	367
07:15	5	65	9	0	25	14	19	0	60	124	18	0	24	15	71	0	449
07:30	16	109	20	0	30	12	25	0	40	155	26	0	35	22	50	0	540
07:45	12	81	10	1	25	12	21	0	60	112	25	0	22	22	82	0	485
Total	41	318	47	1	96	57	80	2	206	492	81	0	98	72	250	0	1841
08:00	3	90	11	1	35	16	13	2	43	91	23	0	10	9	65	0	412
08:15	8	80	5	0	17	23	7	0	60	86	18	0	20	14	64	0	402
08:30	15	76	14	0	26	17	16	1	61	77	15	0	15	12	67	0	412
08:45	6	63	16	1	22	9	19	0	64	79	25	3	18	20	60	0	405
Total	32	309	46	2	100	65	55	3	228	333	81	3	63	55	256	0	1631
09:00	12	69	9	0	21	13	14	2	52	90	18	0	15	13	67	0	395
09:15	10	76	9	0	15	13	15	0	60	55	17	0	18	12	59	0	359
09:30	14	55	12	1	21	11	15	0	78	65	17	0	18	18	68	0	393
09:45	9	65	11	1	20	19	11	0	60	74	24	0	17	14	43	0	368
Total	45	265	41	2	77	56	55	2	250	284	76	0	68	57	237	0	1515
10:00	8	69	13	0	10	8	8	0	64	83	16	0	23	15	64	0	381
10:15	12	86	13	0	20	16	10	0	71	73	11	0	15	11	55	0	393
10:30	9	56	4	1	13	13	8	0	53	71	17	0	30	16	51	0	342
10:45	8	58	14	2	19	18	12	0	67	52	14	0	25	22	52	0	363
Total	37	269	44	3	62	55	38	0	255	279	58	0	93	64	222	0	1479
11:00	15	69	21	1	19	32	6	0	73	74	20	1	23	34	76	0	464
11:15	13	58	16	0	31	31	13	0	80	60	28	1	28	11	74	0	444
11:30	12	66	10	0	45	35	10	1	77	74	27	1	27	21	82	0	488
11:45	20	84	13	1	25	28	10	1	70	100	24	0	34	29	72	0	511
Total	60	277	60	2	120	126	39	2	300	308	99	3	112	95	304	0	1907
12:00	21	78	35	1	29	25	18	2	93	79	22	0	34	28	63	0	528
12:15	10	74	34	1	38	27	24	0	80	100	38	0	48	18	83	0	575
12:30	12	83	36	1	42	35	12	1	77	78	28	0	35	23	94	0	557
12:45	9	77	40	7	19	32	12	5	65	98	28	0	41	32	90	2	557
Total	52	312	145	10	128	119	66	8	315	355	116	0	158	101	330	2	2217
13:00	9	70	43	2	25	32	21	0	64	112	25	4	28	19	78	0	532
13:15	14	88	19	0	41	23	18	0	78	74	26	0	44	28	64	1	518
13:30	16	69	19	0	34	20	14	0	66	85	24	0	27	19	68	0	461
13:45	11	82	25	0	19	14	8	0	87	87	19	1	23	27	76	0	479
Total	50	309	106	2	119	89	61	0	295	358	94	5	122	93	286	1	1990
14:00	13	88	38	0	28	24	21	1	62	82	22	0	47	22	78	0	526
14:15	13	78	40	2	22	30	18	2	93	88	30	0	35	26	87	1	565
14:30	12	87	36	0	28	24	14	0	95	98	42	0	44	24	93	1	598
14:45	15	136	45	1	32	30	14	0	101	81	26	0	32	16	100	0	629
Total	53	389	159	3	110	108	67	3	351	349	120	0	158	88	358	2	2318
15:00	16	108	38	0	39	37	18	1	96	78	40	0	35	30	104	0	640
15:15	21	103	45	1	31	36	21	0	132	115	47	1	42	29	94	0	718
15:30	14	121	61	0	24	31	21	1	116	120	47	1	42	30	106	0	735

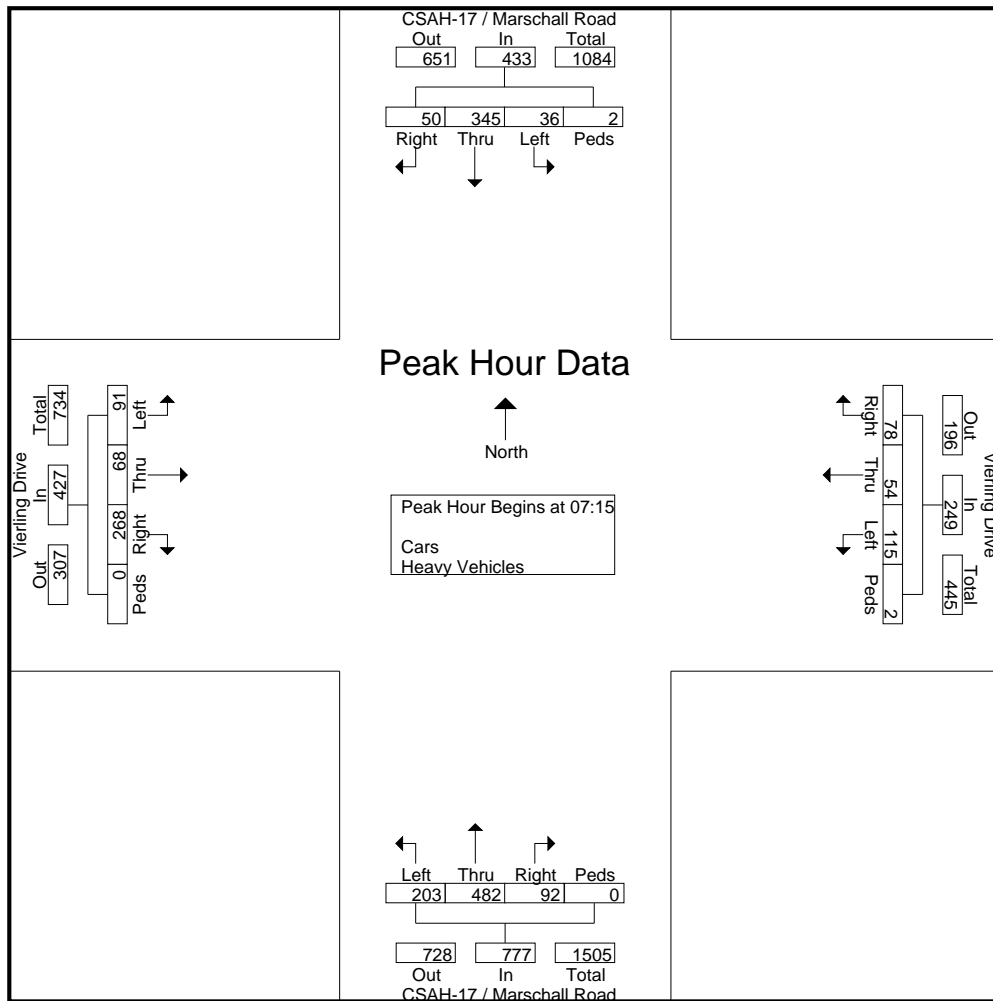
TRAFFIC DATA INC.

3268 Xenwood Ave S
St Louis Park, MN 55416

CSAH-17 / Marshall Rd at Vierling Drive
N of TH-169 SHAKOPEE
Data by TDI
TURN MOVEMENT COUNT

File Name : 10512021 CR 17 & Vierling Dr
Site Code : 10512021
Start Date : 3/15/2012
Page No : 3

Start Time	CSAH-17 / Marshall Road Southbound					Vierling Drive Westbound					CSAH-17 / Marshall Road Northbound					Vierling Drive Eastbound					Int. Total
	Left	Thru	Right	Bikes	App. Total	Left	Thru	Right	Bikes	App. Total	Left	Thru	Right	Bikes	App. Total	Left	Thru	Right	Bikes	App. Total	
Peak Hour Analysis From 06:00 to 09:45 - Peak 1 of 1																					
Peak Hour for Entire Intersection Begins at 07:15																					
07:15	5	65	9	0	79	25	14	19	0	58	60	124	18	0	202	24	15	71	0	110	449
07:30	16	109	20	0	145	30	12	25	0	67	40	155	26	0	221	35	22	50	0	107	540
07:45	12	81	10	1	104	25	12	21	0	58	60	112	25	0	197	22	22	82	0	126	485
08:00	3	90	11	1	105	35	16	13	2	66	43	91	23	0	157	10	9	65	0	84	412
Total Volume	36	345	50	2	433	115	54	78	2	249	203	482	92	0	777	91	68	268	0	427	1886
% App. Total	8.3	79.7	11.5	0.5		46.2	21.7	31.3	0.8		26.1	62	11.8	0		21.3	15.9	62.8	0		
PHF	.563	.791	.625	.500	.747	.821	.844	.780	.250	.929	.846	.777	.885	.000	.879	.650	.773	.817	.000	.847	.873



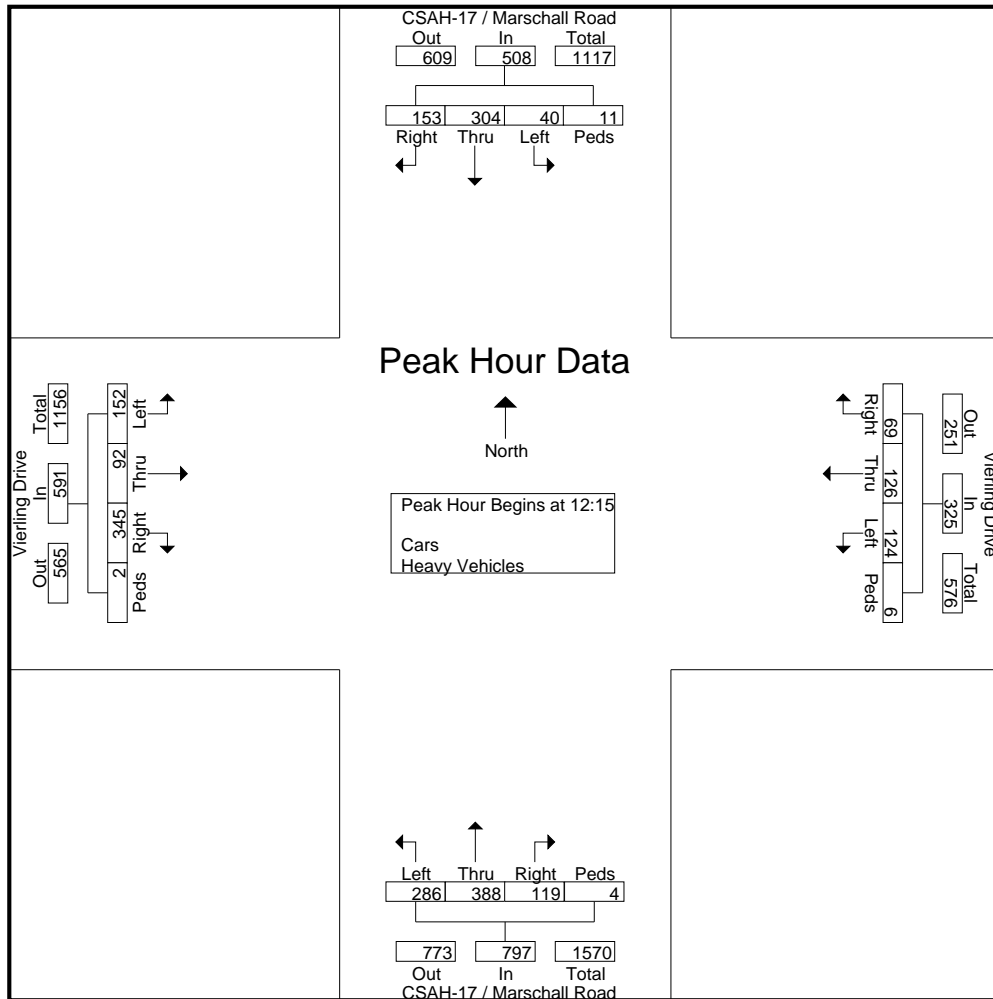
TRAFFIC DATA INC.

3268 Xenwood Ave S
St Louis Park, MN 55416

CSAH-17 / Marshall Rd at Vierling Drive
N of TH-169 SHAKOPEE
Data by TDI
TURN MOVEMENT COUNT

File Name : 10512021 CR 17 & Vierling Dr
Site Code : 10512021
Start Date : 3/15/2012
Page No : 4

Start Time	CSAH-17 / Marshall Road Southbound					Vierling Drive Westbound					CSAH-17 / Marshall Road Northbound					Vierling Drive Eastbound					Int. Total
	Left	Thru	Right	Bikes	App. Total	Left	Thru	Right	Bikes	App. Total	Left	Thru	Right	Bikes	App. Total	Left	Thru	Right	Bikes	App. Total	
Peak Hour Analysis From 10:00 to 13:45 - Peak 1 of 1																					
Peak Hour for Entire Intersection Begins at 12:15																					
12:15	10	74	34	1	119	38	27	24	0	89	80	100	38	0	218	48	18	83	0	149	575
12:30	12	83	36	1	132	42	35	12	1	90	77	78	28	0	183	35	23	94	0	152	557
12:45	9	77	40	7	133	19	32	12	5	68	65	98	28	0	191	41	32	90	2	165	557
13:00	9	70	43	2	124	25	32	21	0	78	64	112	25	4	205	28	19	78	0	125	532
Total Volume	40	304	153	11	508	124	126	69	6	325	286	388	119	4	797	152	92	345	2	591	2221
% App. Total	7.9	59.8	30.1	2.2		38.2	38.8	21.2	1.8		35.9	48.7	14.9	0.5		25.7	15.6	58.4	0.3		
PHF	.833	.916	.890	.393	.955	.738	.900	.719	.300	.903	.894	.866	.783	.250	.914	.792	.719	.918	.250	.895	.966



TRAFFIC DATA INC.

3268 Xenwood Ave S
St Louis Park, MN 55416

CSAH-17 / Marshall Rd at Vierling Drive
N of TH-169 SHAKOPEE
Data by TDI
TURN MOVEMENT COUNT

File Name : 10512021 CR 17 & Vierling Dr
Site Code : 10512021
Start Date : 3/15/2012
Page No : 5

Start Time	CSAH-17 / Marshall Road Southbound					Vierling Drive Westbound					CSAH-17 / Marshall Road Northbound					Vierling Drive Eastbound					Int. Total
	Left	Thru	Right	Bikes	App. Total	Left	Thru	Right	Bikes	App. Total	Left	Thru	Right	Bikes	App. Total	Left	Thru	Right	Bikes	App. Total	
Peak Hour Analysis From 14:00 to 18:45 - Peak 1 of 1																					
Peak Hour for Entire Intersection Begins at 16:30																					
16:30	15	117	46	0	178	32	34	20	0	86	148	112	43	1	304	38	29	117	1	185	753
16:45	22	122	68	0	212	32	41	21	0	94	120	108	58	0	286	49	35	112	0	196	788
17:00	21	133	66	2	222	43	39	23	3	108	135	134	45	1	315	40	22	132	0	194	839
17:15	15	113	60	0	188	30	38	21	0	89	140	102	46	0	288	49	33	148	0	230	795
Total Volume	73	485	240	2	800	137	152	85	3	377	543	456	192	2	1193	176	119	509	1	805	3175
% App. Total	9.1	60.6	30	0.2		36.3	40.3	22.5	0.8		45.5	38.2	16.1	0.2		21.9	14.8	63.2	0.1		
PHF	.830	.912	.882	.250	.901	.797	.927	.924	.250	.873	.917	.851	.828	.500	.947	.898	.850	.860	.250	.875	.946

