



MINNESOTA DEPT OF TRANSPORTATION

TRAFFIC DATA COLLECTION - METRO

Eden Prairie Rd / CSAH-4 at Wagner Way File Name : Eden Prairie Rd CSAH-4 at Wagner Way 2008
 Ref.Pt.: Site Code : 16052517
 Data by: Westwood Professional Services Start Date : 9/17/2008
 TURN MOVEMENT COUNT Page No : 1

Groups Printed- Unshifted

Start Time	Eden Prairie Rd / CSAH-4 Southbound				Wagner Way Westbound				Eden Prairie Rd / CSAH-4 Northbound				Wagner Way Eastbound				Int. Total
	Left	Thru	Right	Peds	Left	Thru	Right	Peds	Left	Thru	Right	Peds	Left	Thru	Right	Peds	
06:00	1	35	6	1	3	0	1	0	5	17	12	1	3	0	10	0	95
06:15	2	55	2	0	5	0	2	0	11	30	2	0	3	0	7	0	119
06:30	1	75	4	0	8	0	0	0	14	52	4	0	3	1	13	0	175
06:45	3	88	7	0	11	0	4	0	16	83	7	0	6	2	16	0	243
Total	7	253	19	1	27	0	7	0	46	182	25	1	15	3	46	0	632
07:00	4	126	10	0	12	1	3	0	27	142	8	0	9	2	19	0	363
07:15	8	133	16	0	14	2	5	1	31	209	12	0	28	1	27	1	488
07:30	12	154	9	0	16	1	4	0	21	132	5	0	16	13	25	0	408
07:45	4	131	12	0	8	2	7	0	26	196	14	0	25	4	20	0	449
Total	28	544	47	0	50	6	19	1	105	679	39	0	78	20	91	1	1708
08:00	4	134	4	0	16	1	8	0	12	280	7	0	23	0	23	0	512
08:15	7	114	6	0	9	0	3	0	11	134	13	0	11	12	26	0	346
08:30	9	119	4	0	18	1	5	0	17	68	8	0	7	0	21	0	277
08:45	9	89	6	0	14	1	0	0	22	69	6	0	2	2	22	0	242
Total	29	456	20	0	57	3	16	0	62	551	34	0	43	14	92	0	1377
*** BREAK ***																	
11:00	4	67	7	0	16	6	7	0	34	49	19	0	15	3	35	0	262
11:15	8	76	4	0	18	3	7	0	35	51	29	0	10	2	36	0	279
11:30	9	63	5	0	23	5	14	0	25	70	38	0	9	2	30	0	293
11:45	2	78	11	0	22	2	9	0	43	60	34	0	12	2	29	0	304
Total	23	284	27	0	79	16	37	0	137	230	120	0	46	9	130	0	1138
12:00	9	45	12	0	25	3	8	0	40	74	31	0	15	2	39	0	303
12:15	4	81	4	0	23	4	7	0	40	56	24	0	12	1	39	0	295
12:30	7	58	6	0	34	2	11	0	35	74	27	0	16	3	32	0	305
12:45	8	83	7	0	21	3	17	0	39	72	30	0	5	2	34	0	321
Total	28	267	29	0	103	12	43	0	154	276	112	0	48	8	144	0	1224
*** BREAK ***																	
15:00	13	137	11	0	14	2	12	0	31	90	23	0	11	1	44	0	389
15:15	8	112	10	0	16	3	7	0	46	94	20	0	19	0	27	0	362
15:30	9	83	6	0	19	6	7	0	59	107	24	0	8	6	44	0	378
15:45	8	84	7	0	18	5	6	0	42	107	34	0	18	2	43	0	374
Total	38	416	34	0	67	16	32	0	178	398	101	0	56	9	158	0	1503
16:00	11	129	3	0	20	4	17	0	47	86	17	0	20	3	41	0	398
16:15	8	92	14	0	8	8	5	0	43	112	25	0	15	3	33	0	366
16:30	10	128	17	0	21	6	21	0	40	141	36	0	22	3	40	0	485
16:45	16	119	13	0	21	3	10	0	63	142	30	0	35	4	42	0	498
Total	45	468	47	0	70	21	53	0	193	481	108	0	92	13	156	0	1747
17:00	13	144	7	0	22	4	16	0	52	182	30	0	27	4	59	0	560
17:15	18	157	13	0	32	8	19	0	40	196	45	0	41	4	38	0	611
17:30	23	182	12	0	37	5	26	0	53	179	34	0	40	6	52	0	649
17:45	14	169	15	0	24	3	16	0	37	178	41	0	36	2	34	0	569
Total	68	652	47	0	115	20	77	0	182	735	150	0	144	16	183	0	2389
Grand Total	266	3340	270	1	568	94	284	1	1057	3532	689	1	522	92	1000	1	11718
Apprch %	6.9	86.1	7	0	60	9.9	30	0.1	20	66.9	13.1	0	32.3	5.7	61.9	0.1	
Total %	2.3	28.5	2.3	0	4.8	0.8	2.4	0	9	30.1	5.9	0	4.5	0.8	8.5	0	

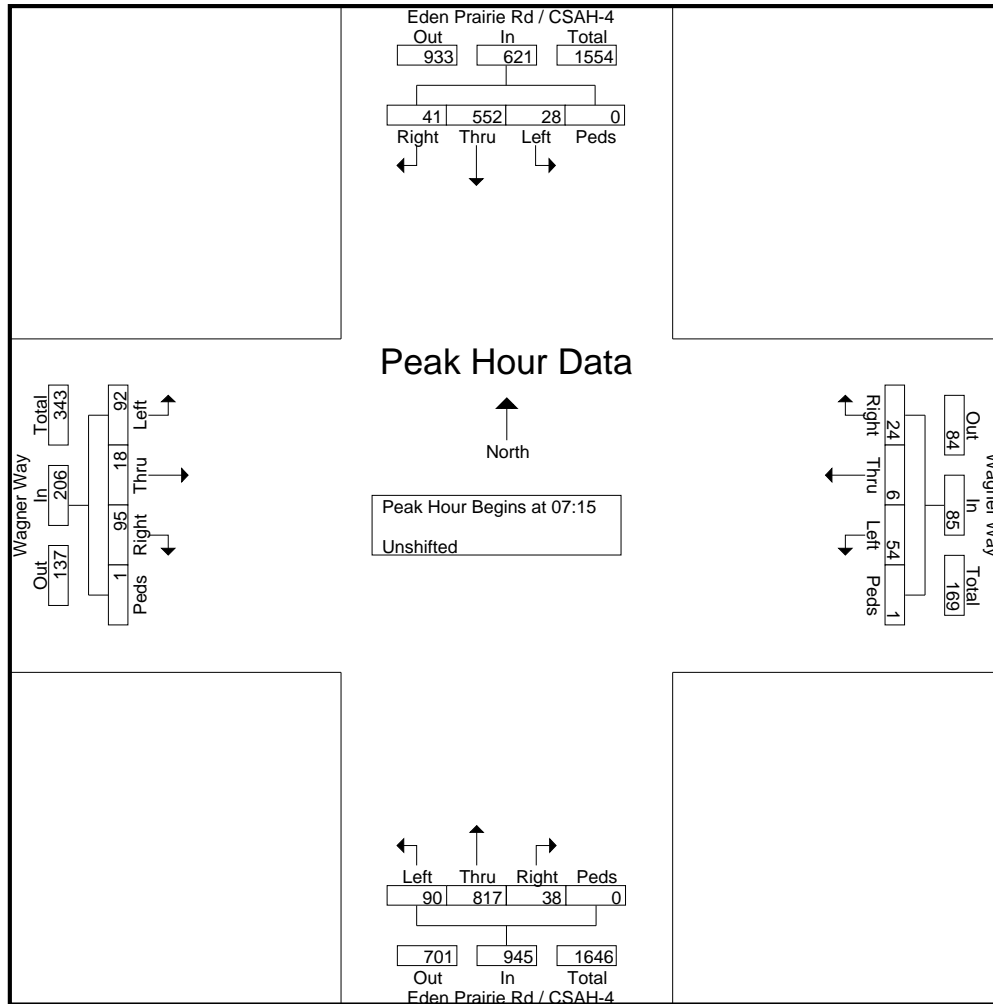


MINNESOTA DEPT OF TRANSPORTATION

TRAFFIC DATA COLLECTION - METRO

Eden Prairie Rd / CSAH-4 at Wagner Way File Name : Eden Prairie Rd CSAH-4 at Wagner Way 2008
 Ref.Pt.: Site Code : 16052517
 Data by: Westwood Professional Services Start Date : 9/17/2008
 TURN MOVEMENT COUNT Page No : 2

Start Time	Eden Prairie Rd / CSAH-4 Southbound					Wagner Way Westbound					Eden Prairie Rd / CSAH-4 Northbound					Wagner Way Eastbound					Int. Total
	Left	Thru	Right	Peds	App. Total	Left	Thru	Right	Peds	App. Total	Left	Thru	Right	Peds	App. Total	Left	Thru	Right	Peds	App. Total	
Peak Hour Analysis From 06:00 to 08:45 - Peak 1 of 1																					
Peak Hour for Entire Intersection Begins at 07:15																					
07:15	8	133	16	0	157	14	2	5	1	22	31	209	12	0	252	28	1	27	1	57	488
07:30	12	154	9	0	175	16	1	4	0	21	21	132	5	0	158	16	13	25	0	54	408
07:45	4	131	12	0	147	8	2	7	0	17	26	196	14	0	236	25	4	20	0	49	449
08:00	4	134	4	0	142	16	1	8	0	25	12	280	7	0	299	23	0	23	0	46	512
Total Volume	28	552	41	0	621	54	6	24	1	85	90	817	38	0	945	92	18	95	1	206	1857
% App. Total	4.5	88.9	6.6	0		63.5	7.1	28.2	1.2		9.5	86.5	4	0		44.7	8.7	46.1	0.5		
PHF	.583	.896	.641	.000	.887	.844	.750	.750	.250	.850	.726	.729	.679	.000	.790	.821	.346	.880	.250	.904	.907





MINNESOTA DEPT OF TRANSPORTATION

TRAFFIC DATA COLLECTION - METRO

Eden Prairie Rd / CSAH-4 at Wagner Way File Name : Eden Prairie Rd CSAH-4 at Wagner Way 2008
 Ref.Pt.: Site Code : 16052517
 Data by: Westwood Professional Services Start Date : 9/17/2008
 TURN MOVEMENT COUNT Page No : 3

Start Time	Eden Prairie Rd / CSAH-4 Southbound					Wagner Way Westbound					Eden Prairie Rd / CSAH-4 Northbound					Wagner Way Eastbound					Int. Total
	Left	Thru	Right	Peds	App. Total	Left	Thru	Right	Peds	App. Total	Left	Thru	Right	Peds	App. Total	Left	Thru	Right	Peds	App. Total	

Peak Hour Analysis From 15:00 to 17:45 - Peak 1 of 1
 Peak Hour for Entire Intersection Begins at 17:00

17:00	13	144	7	0	164	22	4	16	0	42	52	182	30	0	264	27	4	59	0	90	560
17:15	18	157	13	0	188	32	8	19	0	59	40	196	45	0	281	41	4	38	0	83	611
17:30	23	182	12	0	217	37	5	26	0	68	53	179	34	0	266	40	6	52	0	98	649
17:45	14	169	15	0	198	24	3	16	0	43	37	178	41	0	256	36	2	34	0	72	569
Total Volume	68	652	47	0	767	115	20	77	0	212	182	735	150	0	1067	144	16	183	0	343	2389
% App. Total	8.9	85	6.1	0		54.2	9.4	36.3	0		17.1	68.9	14.1	0		4.2	4.7	53.4	0		
PHF	.739	.896	.783	.000	.884	.777	.625	.740	.000	.779	.858	.938	.833	.000	.949	.878	.667	.775	.000	.875	.920

